

Dyson Customer care
www.dyson.com

UK (+44) 0800 345 7788 www.dyson.co.uk	CY (+357) 24 532 220 www.dyson.cy	JP (+81) 0120 295 731 www.dyson.co.jp	PT (+351) 800 784 355 www.dyson.pt
ROI (+353) 01 401 8300 www.dyson.ie	CZ 00800 777 55 777 www.dyson.cz	KR (+82) 70 4066 0073 www.kr.dyson.com	QA (+971) 4 507 6000 www.dyson.ae
AE (+971) 4 507 6000 www.dyson.ae	DE (+49) 0800 3131 319 www.dyson.de	KW (+971) 4 507 6000 www.dyson.ae	RO (+40) 031 432 6140 www.dyson.com.ro
AR (+1) 855 720 6378 www.dyson.com.ar	DK (+45) 7025 2323 www.dyson.dk	LB (+961) 1 252 474 www.lb.dyson.com	RU (+7) 88 001 001 002 www.dyson.com.ru
AT (+43) 0800 8866 7343 www.dyson.at	ES (+34) 900 803 650 www.dyson.es	LU (+32) 0800 62452 www.dyson.lu	SA (+966) 920 005 759 www.sa.dyson.com
AU (+61) 1800 426 337 www.dyson.com.au	FI (+358) 010 321 5080 www.fi.dyson.com	MO (+86) 21 6020 0502 (+86) 138 1790 3027 www.dyson.cn	SE (+45) 70 25 48 23 www.dyson.se
BE (+32) 0800 39 209 www.dyson.be	FR (+33) 0800 945 802 www.dyson.fr	MX (+1) 855 720 6378 www.dyson.mx	SG (+65) 6643 2999 www.dyson.com.sg
BG (+359) 2 968 1111 www.dyson.bg	GR (+30) 800 111 3500 www.gr.dyson.com	MY (+603) 7710 5877 www.dyson.my	SK 00800 777 55 777 www.dyson.sk
BH (+971) 4 507 6000 www.dyson.ae	GT (+1) 855 720 6378 www.dyson.gt	NL (+31) 0800 020 6204 www.dyson.nl	SI (+385) 01 3818 139 www.dyson.si
BR (+1) 855 720 6378 www.dyson.com.br	HK (+852) 2102 5503 www.dyson.hk	NO (+47) 32 829 940 www.dyson.no	TH (+66) 2 628 2200 www.dyson.co.th
CA (+1) 877 397 6622 www.dysoncanada.ca	HU 00800 777 55 777 www.dyson.hu	NZ (+64) 0800 397 667 www.dyson.co.nz	TR (+90) 850 532 11 44 www.dyson.com.tr
CH (+41) 0848 807 817 www.dyson.ch	ID (+65) 6643 2999 www.dyson.co.id	OM (+971) 4 507 6000 www.dyson.ae	TW (+886) 2 8751 0599 www.dyson.tw
CL (+1) 855 720 6378 www.dyson.cl	IL (+972) 03 612 9401 www.dyson.co.il	PA (+1) 855 720 6378 www.dyson.com.pa	UA (+ 38) 0 800 504-1800 www.dyson.com.ua
CN (+86) 21 6020 0502 (+86) 138 1790 3027 www.dyson.cn	IN (+65) 6643 2999 www.dyson.in	PE (+1) 855 720 6378 www.dyson.com.pe	US (+1) 855 720 6378 www.dyson.com
CO (+1) 855 720 6378 www.dyson.co	IT (+39) 800 976 027 www.dyson.it	PH (+63) 2 243 1931 www.dyson.ph	
CR (+1) 855 720 6378 www.dyson.cr	JM (+1) 855 720 6378 www.dyson.com	PL (+48) 227 383 481 www.dyson.pl	

JN.94488 PN.251266-01-03 11.01.18 RCS PARIS 410191589

dyson airblade wash+dry



Installation notes

Инструкции за монтаж

Observações sobre
a instalação

Consignes d'installation
安裝說明

Poznámky k instalaci

Installationshinweise

Installationsnoter

Guía de instalación

Asennusohjeita

Instructions d'installation

Σημειώσεις για την
εγκατάσταση

Szerelési útmutató
Napomene za instalaciju

Catatan pemasangan
הערות התקנה

Athugasemdir vegna
uppsetningar

Note di installazione

取り付けについて

설치 참고사항

Nota pemasangan

Opmerkingen voor
installatie

Opmerkingen voor
installatie

Uwagi dotyczące
montażu

Notas de instalação

Ghid de instalare

Примечания к установке

ملاحظات التركيب

Installationsnoteringar

Poznámky k montáži

Opombe za montažo

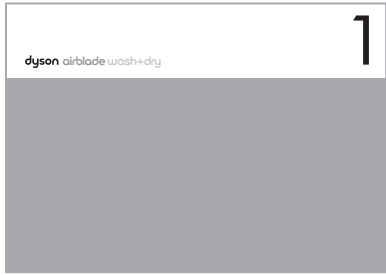
ข้อแนะนำในการติดตั้ง

Kurulum notlari
安裝說明

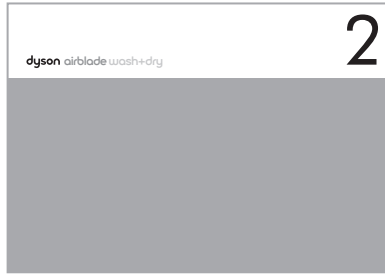
Примітки щодо
встановлення

Guía de instalación

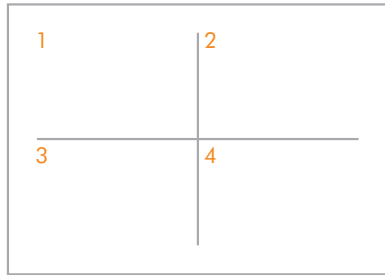
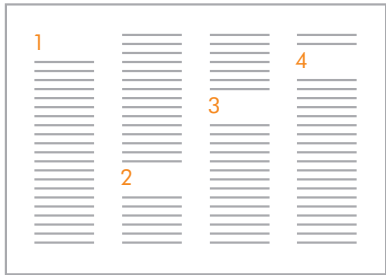
GB/ROI/IN/JM/	IL	147	TW/HK/MO	286	
MT/PH/SG	4	IS	148	UA	294
AU/NZ	12	IT/CH	156	USEN	302
BG	20	JP	164	USES/AR/CL/GT/	
BR	28	KR	172	MX/PA	310
CA	36	MY	180		
CAFR	44	NL	188		
CN	52	NO	196		
CZ	60	PL	204		
DE/AT/CH/LU	68	PT	212		
DK	76	RO/MD	220		
ES	84	RU	228		
FI	92	SA/UAE	245		
FR/BE/CH/LU	100	SE	246		
GR/CY	108	SK	254		
HR	116	SL	262		
HU	124	TH	270		
ID	132	TR	278		



+



=



GB/ROI/IN/JM/MT/PH/SG

Contents

Important Safety Instructions	5	
In the box	6	
Pre-installation checks	7	
Installation		
Step-by-step	9	
Test installation	11	
Troubleshooting	11	

IMPORTANT SAFETY INSTRUCTIONS

READ AND SAVE THESE INSTRUCTIONS

BEFORE INSTALLING OR USING THIS UNIT READ ALL INSTRUCTIONS AND CAUTIONARY MARKINGS IN THIS INSTALLATION GUIDE AND THE OWNER'S MANUAL.

WARNING

ALL INSTALLATION AND REPAIR WORK (PLUMBING AND ELECTRICAL) SHOULD BE CARRIED OUT BY A QUALIFIED PERSON OR DYSON SERVICE ENGINEER IN ACCORDANCE WITH CURRENT LOCAL CODES OR REGULATIONS.

WARNING

RISK OF ELECTRIC SHOCK!

IF CASING IS REMOVED OR HANDLED IMPROPERLY THE INTERNAL COMPONENTS OF THE UNIT MAY CAUSE HARM OR BECOME PERMANENTLY DAMAGED.

THIS UNIT MUST BE EARTHED TO REDUCE THE RISK OF FIRE, ELECTRIC SHOCK, OR INJURY TO PERSONS, OBSERVE THE FOLLOWING:

Before beginning any installation work you must confirm the following.

- Check that the electrical supply corresponds to that shown on the rating plate.
- A means for all-pole disconnection must be incorporated into fixed wiring, in accordance with local wiring regulations.

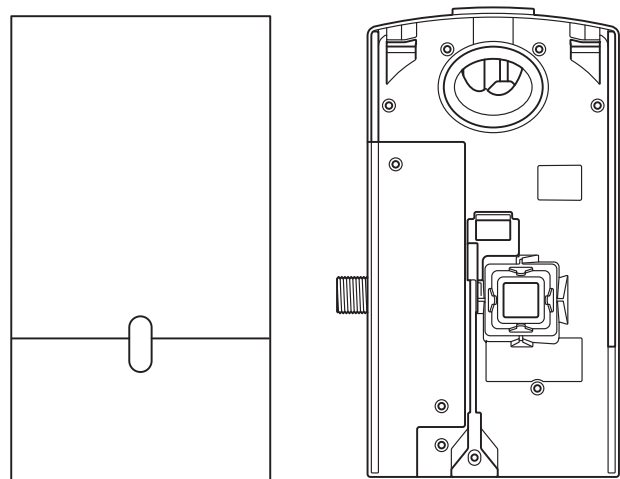
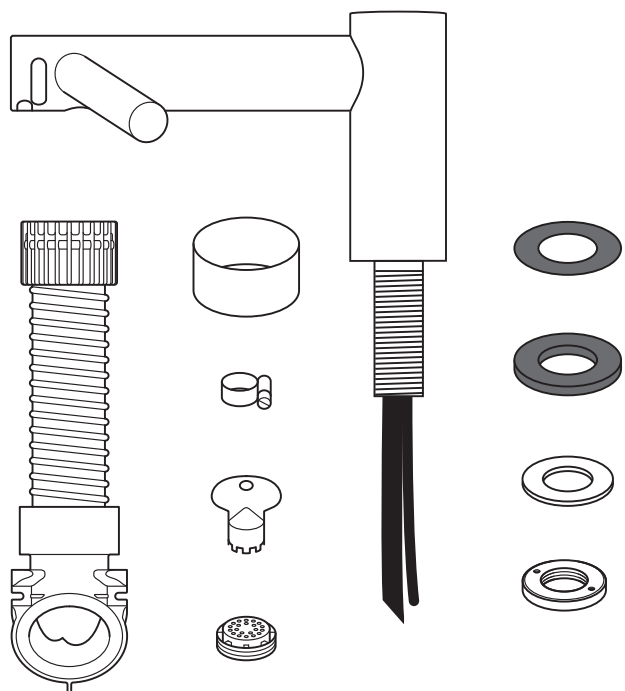
- Connect the electricity supply using suitable conduit and electrical fittings. Ensure that the conduit and wires are long enough to connect to the backplate and the terminal block. Solid metal conduit is not suitable for side entry.

WARNING

Use caution when unpacking the components. There may be sharp edges/corners which may cut or cause harm.

DO NOT USE ANY JET WASH EQUIPMENT FOR CLEANING ON OR NEAR THIS UNIT

In the box



Tools required:

- Small Phillips screwdriver
- 7mm slotted screwdriver
- 2.5mm slotted screwdriver
- Torx T15 screwdriver
- Tape measure and pencil
- Hand drill
- Suitable drill bit
- Pliers/wire strippers
- Knife
- Adjustable spanner

Pre-installation checks

Fig. A

Pre-installation planning

The Dyson Airblade Wash+Dry hand dryer is designed so that the motor unit is wall mounted and located under the basin Fig. A(i).

The fitting of an inline filter is advised to prevent any damage that may affect your guarantee.

- Allow sufficient access space for installation and servicing, see Fig. A(ii).
- The unit is designed for a dry, internal location only.
- Consult local and national accessibility codes and regulations for relevant installation guidelines. Conformity and compliance is the responsibility of the installer. Make sure that the unit is installed in compliance with all building codes and/or regulations.
- A means for all-pole disconnection must be incorporated into fixed wiring, in accordance with local wiring regulations.
- Isolate the power and water supplies before installation or service.
- Ensure no pipe work (gas, water, air) or electrical cables, wires or ductwork are located directly behind the drilling/ mounting area.
- Dyson recommends the use of protective clothing, eye wear and materials when installing/repairing as necessary.
- This appliance is intended to be permanently connected to the water mains.

Use in food preparation areas

For food preparation environments special installation is required, which must fully enclose the motor bucket and hose in a cleanable housing or have the motor bucket on the reverse side of a wall, provide adequate clearance for cleaning underneath (if applicable) and be such that the unit is at least 2.5 metres from uncovered food or uncovered food-contact surfaces.

Refer to the sink recommendation guide at www.dyson.com prior to install.

Fig. B

Sink specification guidelines

Using a specially designed test method, Dyson engineers tested a wide range of sinks to assess their compatibility with the Dyson Airblade Wash+Dry hand dryer. For recommended sinks, please use our guide at www.dyson.com.

Porcelain or brushed metal sinks are ideal. Sinks with highly polished surfaces should be avoided e.g. reflective chrome. For minimum sink dimensions refer to Fig. B.

Fig. C/D/E

Tap mounting

There should be a minimum of 100mm and a maximum of 155mm from the top of the sink to the tap centre Fig. C.

There should be a minimum of 290mm between a tap centre and a side wall. When multiple taps are installed side-by-

side, tap centres should be a minimum of 580mm apart. This allows sufficient space for mounting the motor bucket, as well as sufficient shoulder room for users Fig. D. Do not place the downward facing water sensor of the tap over a reflective surface, such as the drainage hole Fig. E.

Fig. F

Soap and locating the soap dispenser

For best user experience, Dyson recommends the use of gel soap.

The infrared sensing zone for air activation extends along each tap branch. In order to prevent accidental activation, it's important to consider the user's hand route to the soap dispenser.

The dispenser should be located at least 60mm outside the width of the tap, so the user reaches around the side of the branch.

It should also be located at least 60mm above the branches, so that the sensors are not activated.

Please note that the user may reach diagonally across for the soap, so this path must not go through the sensing zone.

Fig. G/H

Water drainage

Due to high velocity air and water being in close proximity, there is a chance of some water and soap dispersion outside the sink dimensions. To alleviate this effect, we recommend following the guidelines below.

Base Profile

Flat base profile will result in poor drainage leading to high levels of splashback. To improve drainage, avoid sinks with a flat base with particular focus on the immediate area surrounding the drain hole, minimum 60mm radius Fig. G.

Minimum of 6° ramp angle from the edge of the drain hole of the sink will result in good drainage leading to reduced levels of splashback (minimum 60mm radius) Fig. H.

Fig. I/J/K

Base to back and front wall transition

The base to back and front wall transition should also be considered. The back wall should be as close to 90°, and at as sharp a radius as possible Fig. I. Curved geometry is more likely to increase splashback Fig. J, whereas sloping back and front wall transitions should be avoided Fig. K.

Fig. L

Plug hole

Plug holes with the most open aperture are recommended, whereas grill or perforated type plug holes should be avoided as they restrict the drainage of soapy water (lather). Do not use plugs within the plug holes in sinks.

Fig. M

Water temperature control

If you are connecting a hot and cold water feed you will need to install a blender valve. If connecting to cold only water feed you will need to install a heater.

The water supply to this product must be fitted with a temperature control device in accordance with local regulations.

A= Blender valve
B= Hot and cold feed
C= Desired temperature out
D= Isolation valve
E= Heater
F= Cold feed in

Additional Information

Installing

Do not use sealant when fixing the unit to the wall.
Ensure electricity and mixed water supplies and drainage connections are available for connection. Suitable isolation of the power and water supplies must be in place to switch off supplies before install and for servicing.

Electrical

Input voltage/Frequency: Refer to rating plate.
Isolated by switch fuse spur or RCD as appropriate.
Current 6.6 A.
Cable specification: Dual core PVC + Single core PVC (earth)
Local electrical regulations must be adhered to when installing or repairing the product.
Rated power: Refer to rating plate.
Operating temperature range: 0° – 40°C.
Standby power consumption:
Less than 0.5 W.
Maximum altitude: 2,000 metres.

Water operation

Water flow rate: 1.9 l/m standard fitted aerator. 4 l/min with low flow aerator supplied with product.

Water pressure required: 1-8 bar. 1/2" BSP isolated valve required for service.
Keep secondary hot water return as close to blender valve as possible to reduce the risk of Legionella bacteria growth.

Automatic duty flush

The unit is equipped with a fixed automatic water flush, which activates for 60 seconds 24 hours after last use. This helps reduce water stagnation and bacteria proliferation within the product.

Please ensure that the unit is always installed over a functional basin with free and connected drainage.

Water supply cleanliness and biological growth

In some countries there are regulations or guidelines that require temperature controlled water supply systems (such as that supplied to the Dyson Airblade Wash+Dry hand dryer) to be subjected to regular cleaning to minimise any biological growth. To enable you to meet these regulations, the Dyson Airblade Wash+Dry hand dryer has been designed and tested to withstand internal cleaning both with hot water up to 95°C and with sodium hypochlorite at a concentration of 0.45%.

Please refer to specific (market) regulations and water supply system recommendations for information on cleaning regimes for water supply cleanliness and biological growth for your country.

When carrying out internal cleaning of the Dyson Airblade Wash+Dry hand dryer, please be aware of any safety considerations when using hot water or chemicals. Dyson will not be responsible for any injury caused by this process.

Abusive testing

The Dyson Airblade Wash+Dry hand dryer has undergone rigorous abusive testing to ensure that it can withstand substantial forces and impacts typical of a commercial and public bathroom environment.

Step-by-step

Fig. 1

Position

Position the Tap over the centre of the basin Fig. 1.

Cut a 35 mm diameter hole in the work surface, if required.

Fig. 2

Tap installation

Slide the 1mm rubber seal on to the tap stem Fig. 2a.

Feed the tap stem and the attached water tube and communications cable through the hole in the work surface. Ensure the 1mm rubber seal is seated under the tap evenly and flat.

Ensure tap is in the correct position above the sink.

Slide the 3.5mm rubber seal on to the tap stem.

Insert the screws into the brass locking ring and tighten lightly to hold them in place.

Slide the metal washer on to the tap stem.

Screw the brass locking nut on to the tap stem, leaving a gap less than or equal to 5mm between the metal washer and the brass locking nut.

Tighten the screws through the brass locking nut into the metal washer, until hand tight.

A= 1mm rubber seal
B= Tap stem
C= Water tube
D= Sensor cable
E= 3.5mm seal
F= Metal washer
G= Brass locking nut
H= 2 x screws

Fig. 3

Hose installation

Slide the grey hose up over the water tube and sensor cable Fig. 3a.

Feed the water tube through the left exit hole in the hose duct as shown in Fig. 3b.

Use pliers to gently pull the water tube through as far as the solid white line Fig. 3c.

Ensure the grommet on the water tube fits tightly into the hose duct so that it is airtight Fig. 3b.

Feed the sensor cable through the right exit hole, pulling gently as you feed it through Fig. 3b. DO NOT use pliers as this may damage the electrical connections Fig. 3c. Ensure the grommet on the cable fits tightly into the hose duct so that it is airtight Fig. 3d. Silicone grease may be used to assist with the fitting.

Screw the upper hose collar on to the tap stem so that it is hand tight Fig. 3e.

A= Grey hose
B= Water tube
C= Sensor cable

Fig. 4

Preparing for installation of backplate

Remove the motor bucket from the backplate by pressing the red release catch at the bottom and lifting up as shown in Fig. 4a. Store the motor bucket safely until required.

Remove the water pipe cover and the electrics cover from the backplate using a Torx T15 screwdriver Fig. 4b and 4c. Store them safely along with fixings until required.

Fig. 5

Backplate installation planning

The backplate can be positioned in one of three ways: vertical, or 90° horizontal left or right. Clearance from the floor should be a 100mm minimum see Fig. 5a.

Ensure that the backplate is positioned so that the hose can be easily attached.

DO NOT place motor upside down with hose pointing down, or position above the Tap see Fig. 5b.

Mark the position of the backplate on the wall.

Cable entry

Cable entry can be either from the base or from the wall directly into the back of the unit via the rear cable entry point. Decide which before you start.

If choosing the cable entry option through the base, use pliers to carefully nip out the pre-marked break-out panel on the base of the backplate. File the edges of the break-out section smooth Fig. 5c.

Water entry

Water connection is made on the left hand side of the backplate. The water connection can not be rotated within the backplate Fig. 5d.

Fig. 6

Backplate installation

If cable entry is to be directly into the backplate from the wall, pull through the electrical cable before securing the backplate to the wall.

Secure the backplate to the wall using the appropriate fixings Fig. 6.

Do not use countersunk screws.

Fig. 7

Connecting the sensor cable

Clip the grey hose into the backplate.

Plug the sensor cable in the hose into the connector in the backplate as shown in Fig. 7. Check the orientation of the connector; the two tabs must be lined up. Ensure the cable is correctly routed in the backplate.

Fig. 8

Connecting the water tube

Cut the water tube to size at the dotted white line as shown in Fig. 8a.

Slide the hose clip (supplied) on to the water tube Fig. 8b.

Remove the 2 x Phillips screws and unclip the solenoid from the backplate [Fig. 8b](#).

Attach the water hose to the solenoid [Fig. 8c](#).

Clip the solenoid back on to the backplate and fasten the 2 x screws [Fig. 8d](#).

Tighten the hose clip and ensure the solenoid cable is correctly positioned in the retaining channel.

Fig. 9

Connecting the electricity supply

Route the electricity supply to the backplate using approved flexible or solid conduit and fittings. Ensure the power cable is long enough to connect to the terminal block mounted in the back plate.

Route the cable into the backplate and tighten the cable gland.

Strip the cable to a suitable length and secure the live and neutral wires into the corresponding terminal blocks as shown in [Fig. 9](#). Ensure the correct positioning of the cables before proceeding.

Fig. 10

Re-assemble electrical cover

Fix the electrics cover and secure with the 6 x fixings supplied ensuring no wires are trapped.

Fig. 11

Connecting the mixed water supply

NOTE: Ensure water feed has been completely flushed of debris, copper filings etc. prior to connecting to the backplate. Failure to do so may damage the solenoid valve.

Connect the isolated, mixed water supply to the backplate.

Turn on the water.

Inspect for leaks at the main water supply inlet and the water tube connection to the tap.

Also check for leaks at the solenoid connection.

Fig. 12

Switching power on

Switch on power to the machine.

CALIBRATION CYCLE: Once installed, the tap will go through a 30 second calibration cycle.

Place hand under sensor on tap to activate water flow [Fig. 12a](#).

Check for leaks as per [Fig. 11](#).

Secure the water pipe cover on to the backplate using the 2 x fixings provided [Fig 12b](#).

Fig. 13

Assembling the motor bucket

Hook the motor to the top of the electrics cover. Swing it downwards so it clicks into place as shown. Push in securely [Fig. 13a](#).

OPTIONAL: A screw is supplied to secure the red release button and prevent unwanted removal of the motor bucket.

Test the unit for correct operation.

Securing the motor bucket to the backplate (optional).

To remove the filter, gently use a screwdriver to release the tab on the filter as shown [Fig. 13b](#).

Secure the motor bucket to the backplate using the security screw supplied [Fig. 13c](#).

Re-connect the filter ensuring that it clicks into place [Fig. 13d](#).

Test installation

Test the hand dryer for normal operation:

- Place your hands beneath the centre of the tap and water will flow automatically for as long as the hands remain in place.
- Place your hands to either side of the centre tap to activate the hand dryer, creating sheets of air to scrape water from your hands.
- Move your hands backwards and forwards slowly through the air, turning them over so both back and front are exposed to the airflow.

Troubleshooting

Hand dryer fails to start:

- Check fuse/circuit breaker is working and that the power and water supply are connected.
- Ensure the cleaning cap is removed and that the sensors are clean and unobstructed.
- Turn the unit off and on.

Hand dryer turns itself on and off erratically:

- Turn the unit off and on.
- Ensure there is no plug in the sink and remove if plug is present.
- Ensure sensors are clean.
- Check that the sensor cable from the tap is securely connected.

Hand dryer sometimes cuts out in use:

- Turn the unit off and on.
- Ensure sensors are clean.
- Check the air inlets are clean and free of dust. If the air inlets are dusty simply remove dust.
- Ensure that the air inlets are free from obstructions and have sufficient clearance.

The dry time has increased:

- Inspect the air inlets for dust and remove.
- Inspect filter and change if required.
- Ensure that the hose is securely attached to the base of the tap and no leaks are present.

The airflow is running hotter than usual:

- Inspect the air inlets for dust and remove.
- Inspect filter and change if required.
- Ensure that the hose is securely attached to the base of the tap and no leaks are present.

Air is continuously running:

- Check for any object in the sink and remove if necessary.
- Ensure sensors are clean and free from any obstructions.
- Inspect filter and change if required.
- Ensure that the hose is securely attached to the base of the tap and no leaks are present.

There is no air running:

- Turn the unit off and on.
- Check fuse/circuit breaker is working and that the power is connected.
- Ensure sensors are clean.
- Ensure that the air hose is securely attached to the base of the tap and no leaks are present.
- Check that the sensor cable from the tap is securely connected.

Water is continuously coming from the tap:

- Ensure sensors are clean and free from any obstructions.

There is no water coming from the tap:

- Ensure that the power and water supplies are turned on and that the isolation valve is open.
- Ensure that the aerator is free from debris, remove and clean/replace if necessary.

The water coming from the tap is overly hot or cold:

- Check the blender valve is set to the desired temperature.

Contact Dyson Customer Care for further support and information or online at www.dyson.com

AU/NZ Contents

AU
NZ

Important Safety Instructions	13	
In the box	14	
Pre-installation checks	15	
Installation		
Step-by-step	17	
Test installation	19	
Troubleshooting	19	

IMPORTANT SAFETY INSTRUCTIONS

READ AND SAVE THESE INSTRUCTIONS

BEFORE INSTALLING OR USING THIS UNIT READ ALL INSTRUCTIONS AND CAUTIONARY MARKINGS IN THIS INSTALLATION GUIDE AND THE OWNERS MANUAL.

WARNING

ALL INSTALLATION AND REPAIR WORK (PLUMBING AND ELECTRICAL) SHOULD BE CARRIED OUT BY A QUALIFIED PERSON OR DYSON SERVICE ENGINEER IN ACCORDANCE WITH CURRENT LOCAL CODES OR REGULATIONS.

WARNING

RISK OF ELECTRIC SHOCK!

IF CASING IS REMOVED OR HANDLED IMPROPERLY THE INTERNAL COMPONENTS OF THE UNIT MAY CAUSE HARM OR BECOME PERMANENTLY DAMAGED.

THIS UNIT MUST BE EARTHED TO REDUCE THE RISK OF FIRE, ELECTRIC SHOCK, OR INJURY TO PERSONS, OBSERVE THE FOLLOWING:

Before beginning any installation work you must confirm the following.

- Check that the electrical supply corresponds to that shown on the rating plate.

- A means for all-pole disconnection must be incorporated into fixed wiring, in accordance with local wiring regulations.
- Connect the electricity supply using suitable conduit and electrical fittings. Ensure that the conduit and wires are long enough to connect to the backplate and the terminal block. Solid metal conduit is not suitable for side entry.

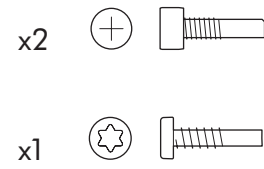
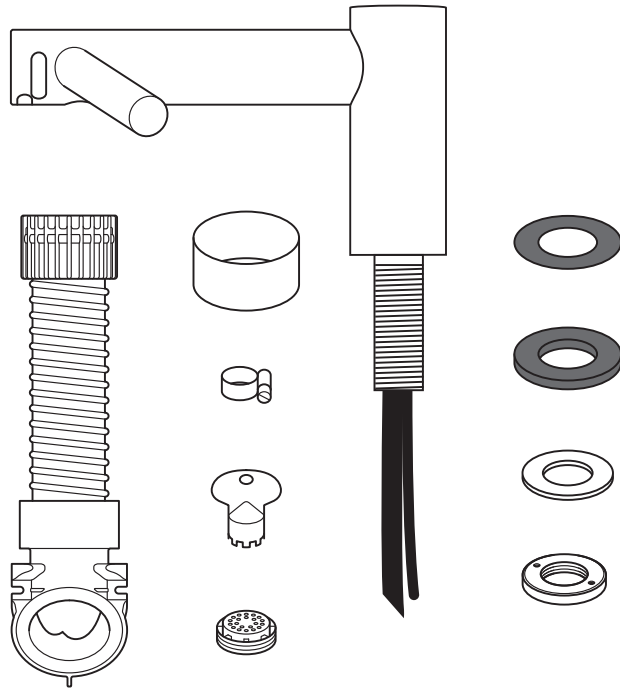
WARNING

Use caution when unpacking the components. There may be sharp edges/corners which may cut or cause harm.

DO NOT USE ANY JET WASH EQUIPMENT FOR CLEANING ON OR NEAR THIS UNIT

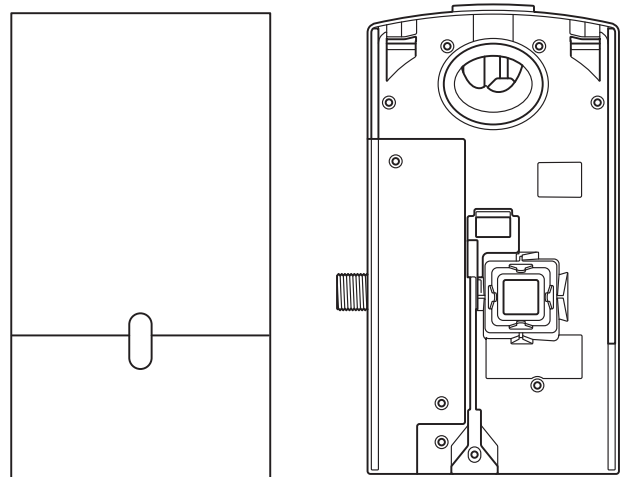
In the box

AU
NZ



Tools required:

- Small Phillips screwdriver
- 7mm blade screwdriver
- Small bladed screwdriver
- Torx drive T15
- Tape measure and pencil
- Hand drill
- Suitable drill bit
- Pliers/wire strippers
- Knife
- Adjustable spanner



Pre-installation checks

Fig. A

Pre-installation planning

The Dyson Airblade Wash+Dry hand dryer is designed so that the motor unit is wall mounted and located under the basin Fig. A(i).

The fitting of an inline filter is advised to prevent any damage that may affect your guarantee.

- Allow sufficient access space for installation and servicing, see Fig A(ii).
- The unit is designed for dry, internal location only.
- Consult local and national accessibility codes and regulations for relevant installation guidelines. Conformity and compliance is the responsibility of the installer. Make sure that the unit is installed in compliance with all building codes and/or regulations.
- A means for all-pole disconnection must be incorporated into fixed wiring, in accordance with local wiring regulations
- Isolate the power and water supplies before installation or service.
- Ensure no pipe work (gas, water, air) or electrical cables, wires or ductwork are located directly behind the drilling/ mounting area.
- Dyson recommends the use of protective clothing, eyewear and materials when installing/repairing as necessary.
- This appliance is intended to be permanently connected to the water mains.

Use in food preparation areas

For food preparation environments special installation is required, which must fully enclose the motor bucket and hose in a cleanable housing or have the motor bucket on the reverse side of a wall, provide adequate clearance for cleaning underneath (if applicable) and be such that the unit is at least 2.5 metres from uncovered food or uncovered food-contact surfaces.

Refer to the Sink recommendation guide at www.dyson.com prior to install.

Fig. B

Sink specification guidelines

Using a specially designed test method, Dyson engineers tested a wide range of sinks to assess their compatibility with the Dyson Airblade Wash+Dry hand dryer. For recommended sinks, please use our guide at www.dyson.com.au.

Porcelain or brushed metal sinks are ideal. Sinks with highly polished surfaces should be avoided e.g. reflective chrome. For minimum sink dimensions refer to Fig. B.

Fig. C/D/E

Tap mounting

There should be a minimum of 100mm and a maximum of 155mm from the top of the sink to the tap centre. Fig. C

There should be a minimum of 290mm between a tap centre and a side wall. When multiple taps are installed side-by-side,

tap centres should be a minimum of 580mm apart. This allows sufficient space for mounting the motor bucket, as well as sufficient shoulder room for users. Fig. D Do not place the downward facing water sensor of the tap over a reflective surface, such as the drainage hole. Fig. E

Fig. F

Soap and locating the soap dispenser

For best user experience, Dyson recommends the use of gel soap.

The infrared sensing zone for air activation extends along each tap branch. In order to prevent accidental activation, it's important to consider the user's hand route to the soap dispenser.

The dispenser should be located at least 60mm outside the width of the tap, so the user reaches around the side of the branch.

It should also be located at least 60mm above the branches, so that the sensors are not activated.

Please note that the user may reach diagonally across for the soap, so this path must not go through the sensing zone.

Fig. G/H

Water drainage

Due to high velocity air and water being in close proximity, there is a chance of some water and soap dispersion outside the sink dimensions. To alleviate this effect, we recommend following the guidelines below.

Base Profile

Flat base profile will result in poor drainage leading to high levels of splashback. To improve drainage, avoid sinks with a flat base with particular focus on the immediate area surrounding the drain hole, minimum 60mm radius. Fig. G.

Minimum of 6° ramp angle from the edge of the drain hole of the sink will result in good drainage leading to reduced levels of splashback (minimum 60mm radius). Fig. H

Fig. I/J/K

Base to back and front wall transition

The base to back and front wall transition should also be considered. The back wall should be as close to 90°, and at as sharp a radius as possible Fig. I. Curved geometry is more likely to increase splashback Fig. J, whereas sloping back and front wall transitions should be avoided Fig. K.

Fig. L

Plug hole

Plug holes with the most open aperture are recommended, whereas grill or perforated type plug holes should be avoided as they restrict the drainage of soapy water (lather). Do not use plugs within the plug holes in sinks.

Fig. M

Water temperature control

If you are connecting a hot and cold water feed you will need to install a thermostatic mixing valve.

If connecting to cold only water feed you will need to install a heater.

The water supply to this product must be fitted with a temperature control device in accordance with local regulations.

A= Thermostatic mixing valve
B= Hot and cold feed
C= Desired temperature out
D= Isolation valve
E= Heater
F= Cold feed in

Additional Information

Installing

Do not use sealant when fixing the unit to the wall.

Ensure electricity and mixed water supplies and drainage connections are available for connection. Suitable isolation of the power and water supplies must be in place to switch off supplies before install and for servicing.

Electrical

Input voltage/Frequency: Refer to rating plate.

Isolated by switch fuse spur or RCD as appropriate.

Current 6.6 A.

Cable specification: Dual core PVC + Single core PVC (earth)

Local electrical regulations must be adhered to when installing or repairing the product.

Rated power: Refer to rating plate.

Operating temperature range: 0° – 40°C.

Standby power consumption:

Less than 0.5 W.

Maximum altitude: 2,000 metres.

Water operation

Water flow rate: 4 l/min normal fitted aerator. 1.9 l/m with low flow aerator supplied with product.

Water pressure required: 1-8 bar. 1/2" BSP isolated valve required for service.

Keep secondary hot water return as close to thermostatic mixing valve as possible to reduce the risk of Legionella bacteria growth.

Automatic duty flush

The unit is equipped with a fixed automatic water flush, which activates for 60 seconds 24 hours after last use. This helps reduce water stagnation and bacteria proliferation within the product.

Please ensure the unit is always installed over a functional basin with free and connected drainage.

Water supply cleanliness and biological growth

In some countries there are regulations or guidelines that require temperature controlled water supply systems (such as that supplied to the Dyson Airblade Wash+Dry hand dryer) to be subjected to regular cleaning to minimise any biological growth. To enable you to meet these regulations, the Dyson Airblade Wash+Dry hand dryer has been designed and tested to withstand internal cleaning both with hot water up to 95°C and with sodium hypochlorite at a concentration of 0.45%.

Please refer to specific (market) regulations and water supply system recommendations for information on cleaning regimes for water supply cleanliness and biological growth for your country.

When carrying out internal cleaning of the Dyson Airblade Wash+Dry hand dryer, please be aware of any safety considerations when using hot water or chemicals. Dyson will not be responsible for any injury caused by this process.

Abusive testing

The Dyson Airblade Wash+Dry hand dryer has undergone rigorous abusive testing to ensure that it can withstand substantial forces and impacts typical of a commercial and public bathroom environment.

Step-by-step

Fig. 1

Position

Position the Tap over the centre of the basin Fig. 1.

Cut a 35 mm diameter hole in the work surface, if required.

Fig. 2

Tap installation

Slide the 1mm rubber seal on to the tap stem Fig. 2a.

Feed the tap stem and the attached water tube and communications cable through the hole in the work surface. Ensure the 1mm rubber seal is seated under the tap evenly and flat.

Ensure tap is in the correct position above the sink.

Slide the 3.5mm rubber seal on to the tap stem.

Insert the screws into the brass locking ring and tighten lightly to hold them in place.

Slide the metal washer on to the tap stem.

Screw the brass locking nut on to the tap stem, leaving a gap less than or equal to 5mm between the metal washer and the brass locking nut.

Tighten the screws through the brass locking nut into the metal washer, until hand tight.

A= 1mm rubber seal
B= Tap stem
C= Water tube
D= Sensor cable
E= 3.5mm seal
F= Metal washer
G= Brass locking nut
H= 2 x screws

Fig. 3

Hose Installation

Slide the grey hose up over the water tube and sensor cable Fig. 3a.

Feed the water tube through the left exit hole in the hose duct as shown in Fig. 3b.

Use pliers to gently pull the water tube through as far as the solid white line Fig. 3c.

Ensure the grommet on the water tube fits tightly into the hose duct so that it is airtight Fig. 3b.

Feed the sensor cable through the right exit hole, pulling gently as you feed it through Fig. 3b. DO NOT use pliers as this may damage the electrical connections Fig. 3c.

Ensure the grommet on the cable fits tightly into the hose duct so that it is airtight Fig. 3d. Silicone grease may be used to assist with the fitting.

Screw the upper hose collar on to the tap stem so that it is hand tight Fig. 3e.

A= Grey hose
B= Water tube
C= Sensor cable

Fig. 4

Preparing for installation of backplate

Remove the motor bucket from the backplate by pressing the red release catch at the bottom and lifting up as shown in Fig. 4a. Store the motor bucket safely until required.

Remove the water pipe cover and the electrics cover from the backplate using a Torx T15 screwdriver Fig. 4b and 4c. Store them safely along with fixings until required.

Fig. 5

Backplate installation

The backplate can be positioned in one of three ways: vertical, or 90° horizontal left or right. Clearance from the floor should be a 100mm minimum see Fig. 5a.

Ensure that the backplate is positioned so that the hose can be easily attached.

DO NOT place motor upside down with hose pointing down, or position above the Tap see Fig. 5b.

Mark the position of the backplate on the wall.

Cable entry

Cable entry can be either from the base or from the wall directly into the back of the unit via the rear cable entry point. Decide which before you start.

If choosing the cable entry option through the base, use pliers to carefully nip out the pre-marked break-out panel on the base of the backplate. File the edges of the break-out section smooth Fig. 5c.

Water entry

Water connection is made on the left hand side of the backplate. The water connection can not be rotated within the backplate Fig. 5d.

Fig. 6

Backplate installation

If cable entry is to be directly into the backplate from the wall, pull through the electrical cable before securing the backplate to the wall.

Secure the backplate to the wall using the appropriate fixings Fig. 6.

Do not use countersunk screws.

Fig. 7

Connecting the sensor cable

Clip the grey hose into the backplate.

Plug the sensor cable in the hose into the connector in the backplate as shown in Fig. 7. Check the orientation of the connector; the two tabs must be lined up. Ensure the cable is correctly routed in the backplate.

Fig. 8

Connecting the water tube

Cut the water tube to size at the dotted white line as shown in Fig. 8a.

Slide the hose clip (supplied) on to the water tube Fig. 8b.

Remove the 2 x Phillips screws and unclip the solenoid from the backplate [Fig. 8b](#). Attach the water hose to the solenoid [Fig. 8c](#).

Clip the solenoid back on to the backplate and fasten the 2 x screws [Fig. 8d](#).

Tighten the hose clip and ensure the solenoid cable is correctly positioned in the retaining channel.

Fig. 9

Connecting the electricity supply

Route the electricity supply to the backplate using approved flexible or solid conduit and fittings. Ensure the power cable is long enough to connect to the terminal block mounted in the back plate.

Route the cable into the backplate and tighten the cable gland.

Strip the cable to a suitable length and secure the live and neutral wires into the corresponding terminal blocks as shown in [Fig. 9](#). Ensure the correct positioning of the cables before proceeding.

Fig. 10

Re-assemble electrical cover

Fix the electrics cover and secure with the 6 x fixings supplied ensuring no wires are trapped.

Fig. 11

Connecting the mixed water supply

NOTE: ensure water feed has been completely flushed of debris, copper filings etc. prior to connecting to the backplate. Failure to do so may damage the solenoid valve resulting in it not closing properly, creating a dripping tap.

Connect the isolated, mixed water supply to the backplate.

Turn on the water.

Inspect for leaks at the main water supply inlet and the water tube connection to the tap.

Also check for leaks at the solenoid connection.

Fig. 12

Switching power on

Switch on power to the machine.

CALIBRATION CYCLE: Once installed, the tap will go through a 30 second calibration cycle.

Place hand under sensor on tap to activate water flow. [Fig 12a](#).

Check for leaks as per [Fig. 11](#).

Secure the water pipe cover onto the backplate using the 2 x fixings provided. [Fig 12b](#).

Fig. 13

Assembling the motor bucket

Hook the motor to the top of the electrics cover. Swing it downwards so it clicks into place as shown. Push in securely [Fig. 13a](#).

OPTIONAL: A screw is supplied to secure the red release button and prevent unwanted removal of the motor bucket. Test the unit for correct operation.

Securing the motor bucket to the backplate (optional).

To remove the filter, gently use a screwdriver to release the tab on the filter as shown [Fig. 13b](#).

Secure the motor bucket to the backplate using the security screw supplied [Fig. 13c](#).

Re-connect the filter ensuring that it clicks into place [Fig. 13d](#).

Test installation

Test the hand dryer for normal operation:

- Place your hands beneath the centre of the tap and water will flow automatically for as long as the hands remain in place.
- Place your hands to either side of the centre tap to activate the hand dryer, creating sheets of air to scrape water from your hands.
- Move your hands backwards and forwards slowly through the air, turning them over so both back and front are exposed to the airflow.

Troubleshooting

Hand dryer fails to start:

- Check fuse/circuit breaker is working and that the power and water supply are connected.
- Ensure the cleaning cap is removed and that the sensors are clean and unobstructed.
- Turn the unit off and on.

Hand dryer turns itself on and off erratically:

- Turn the unit off and on.
- Ensure there is no plug in the sink and remove if plug is present.
- Ensure sensors are clean.
- Check that the sensor cable from the tap is securely connected.

Hand dryer sometimes cuts out in use:

- Turn the unit off and on.
- Ensure sensors are clean.
- Check the air inlets are clean and free of dust. If the air inlets are dusty simply remove dust.
- Ensure that the air inlets are free from obstructions and have sufficient clearance.

The dry time has increased:

- Inspect the air inlets for dust and remove.
- Inspect filter and change if required.
- Ensure that the hose is securely attached to the base of the tap and no leaks are present.

The airflow is running hotter than usual:

- Inspect the air inlets for dust and remove.
- Inspect filter and change if required.
- Ensure that the hose is securely attached to the base of the tap and no leaks are present.

Air is continuously running:

- Check for any object in the sink and remove if necessary.
- Ensure sensors are clean and free from any obstructions.
- Inspect filter and change if required.
- Ensure that the hose is securely attached to the base of the tap and no leaks are present.

There is no air running:

- Turn the unit off and on.
- Check fuse/circuit breaker is working and that the power is connected.
- Ensure sensors are clean.
- Ensure that the air hose is securely attached to the base of the tap and no leaks are present.
- Check that the sensor cable from the tap is securely connected.

Water is continuously coming from the tap:

- Ensure sensors are clean and free from any obstructions.

There is no water coming from the tap:

- Ensure that the power and water supplies are turned on and that the isolation valve is open.
- Ensure that the aerator is free from debris, remove and clean/replace if necessary.

The water coming from the tap is overly hot or cold:

- Check the thermostatic mixing valve is set to the desired temperature.

Contact Dyson Customer Care for further support and information:

Australia Contact: 1800 426 337 or aucustomer@dyson.com.

www.dyson.com.au

New Zealand contact: 0800 397 667

www.dyson.co.nz

BG

Съдържание

BG

Важни инструкции за безопасност 21 

Съдържание на кутията 22

Проверки преди монтаж 23

Монтаж

Стъпка по стъпка 25

Тестване на монтажа 27

Отстраняване на неизправности 27

ВАЖНИ ИНСТРУКЦИИ ЗА БЕЗОПАСНОСТ

ПРОЧЕТЕТЕ И ЗАПАЗЕТЕ ТЕЗИ ИНСТРУКЦИИ

ПРЕДИ ДА МОНТИРАТЕ И ИЗПОЛЗВАТЕ ТОЗИ УРЕД, ПРОЧЕТЕТЕ ВСИЧКИ ИНСТРУКЦИИ И ПРЕДУПРЕДИТЕЛНИ НАДПИСИ В ТОВА РЪКОВОДСТВО ЗА МОНТАЖ И НАРЪЧНИКА НА СОБСТВЕНИКА.

ПРЕДУПРЕЖДЕНИЕ

ВСИЧКИ МОНТАЖИ И РЕМОНТНИ РАБОТИ (ВОДОПРОВОДНИ И ЕЛЕКТРИЧЕСКИ) ТРЯБВА ДА СЕ ИЗВЪРШВАТ ОТ КВАЛИФИЦИРАНО ЛИЦЕ ИЛИ СЕРВИЗЕН ТЕХНИК НА DYSON В СЪОТВЕТСТВИЕ С МЕСТНИТЕ ПРАВИЛА ИЛИ НАРЕДБИ.

ПРЕДУПРЕЖДЕНИЕ

ОПАСНОСТ ОТ ТОКОВ УДАР!

АКО КУТИЯТА БЪДЕ СВАЛЕНА ИЛИ С НЕЯ СЕ РАБОТИ НЕПРАВИЛНО, ВЪТРЕШНИТЕ ЧАСТИ НА УРЕДА МОГАТ ДА ПРИЧИНЯТ ВРЕДА ИЛИ ДА СЕ ПОВРЕДЯТ ТРАЙНО.

ТОЗИ УРЕД ТРЯБВА ДА СЕ ЗАЗЕМИ, ЗА ДА СЕ НАМАЛИ РИСКЪТ ОТ ПОЖАР, ТОКОВ УДАР ИЛИ ТЕЛЕСНА ПОВРЕДА.

Преди началото на всеки монтаж трябва да се уверите в описаното по-долу.

- Уверете се, че електрическото захранване отговаря на посоченото на табелката с данни.

- Във фиксираното окабеляване трябва да се включи разединител в съответствие с местните разпоредби за окабеляване.
- Свържете електрическото захранване с помощта на подходяща предпазна тръба за кабел и електрически фитинги. Уверете се, че тръбата за кабел и проводниците са достатъчно дълги, за да се свържат към задната пластина и клеморедата. Твърда метална предпазна тръба не е подходяща за страничен отвор.

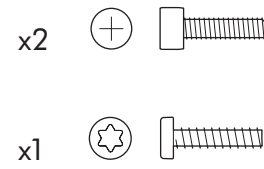
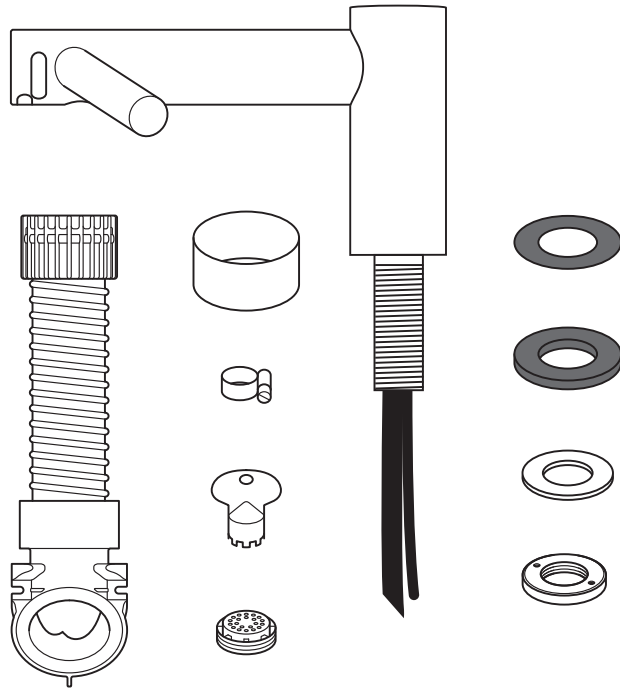
ПРЕДУПРЕЖДЕНИЕ

Бъдете внимателни при разопаковане на компонентите. Възможно е да има остри ръбове/ъгли, които могат да Ви порежат или наранят.

НЕ ИЗПОЛЗВАЙТЕ ОБОРУДВАНЕ ЗА СТРУЙНО ПОЧИСТВАНЕ ВЪРХУ ТОЗИ УРЕД ИЛИ В БЛИЗОСТ ДО НЕГО

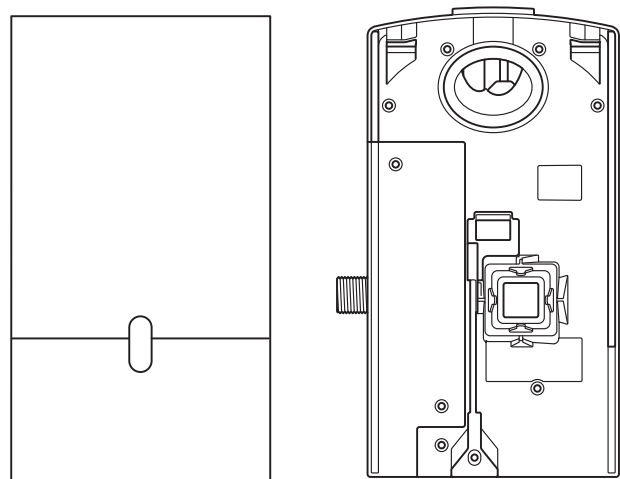
Съдържание на кутията

BG



Необходими инструменти:

- Малка кръстата отвертка
- 7 mm отвертка
- 2,5-милиметрова права отвертка
- Отвертка Torx T15
- Рулетка и молив
- Ръчна дрелка
- Подходящо свредло
- Клещи/за оголване на кабели
- Нож
- Регулируем гаечен ключ



Проверки преди монтаж

Фиг. А

Планиране преди монтажа

Смесителят със сешоар за ръце Dyson Airblade Wash+Dry е разработен така, че двигателят да се монтира на стената и да се намира под резервоара, **фиг. А(i)**.

Сглобяването на вграден филтър е препоръчително, за да се избегнат всякакви повреди, които могат да повлияят на Вашата гаранция.

- Оставете достатъчно пространство за монтаж и обслужване, вж. **фиг. А(ii)**.
- Уредът е предназначен само за сухо, закрито помещение.
- Консултирайте се с местните и национални норми и наредби за съответните указания за монтаж. Съответствието и спазването на изискванията са отговорност на монтажника. Уверете се, че уредът е монтиран в съответствие с всички строителни норми и/или наредби.
- Във фиксираното окабеляване трябва да се включи разединител в съответствие с местните разпоредби за окабеляване.
- Преди монтаж или техническо обслужване изолирайте захранването с ток и вода.
- Уверете се, че точно зад областта на пробиване/монтаж няма тръби (газопроводи, водопроводи, въздухопроводи) или електрически кабели, проводници или вентилационни тръбопроводи.

- Dyson препоръчва използването на защитно облекло, защита за очите и материали при монтаж/ремонт, както е необходимо.
- Това устройство е проектирано така, че постоянно да е свързано с водоснабдителната система.

УПОТРЕБА В ЗОНИ ЗА ПРИГОТВЯНЕ НА ХРАНА

На места, където се приготвя храна, е нужен специален вид монтаж, при който корпусът на двигателя и маркучът се затварят напълно в корпус, който може да се чисти, или корпусът на двигателя се монтира от другата страна на стената. Освен това се оставя достатъчно пространство отдолу за почистване (ако е приложимо) и устройството е на поне 2,5 метра от непокрита храна или непокрита повърхности, които влизат в контакт с храна.

Вижте ръководството за избор на мивки на www.dyson.com преди монтаж.

Фиг. В

Насоки относно спецификациите на мивката

Чрез специално изработен за целта метод инженерите на Dyson тестваха широка гама мивки, за да оценят съвместимостта им със смесителя със сешоар Dyson Airblade Wash+Dry. Можете да видите препоръчаните модели мивки в ръководството ни на www.dyson.com.

Мивките от порцелан и от полиран метал са идеални за целта. Избягвайте мивки със силно полирана повърхност, например отразяващ хром.

Минималните размери на мивката може да видите на **фиг. В**.

Фиг. С/D/E

Монтаж на смесителя

Разстоянието от горната част на мивката до центъра на смесителя трябва да е минимум 100 мм и максимум 155 мм.

Фиг. С.

От центъра на смесителя до стената отстрани трябва да има поне 290 мм. Когато трябва да монтирате няколко смесителя един до друг, центровете им трябва да са на поне 580 мм разстояние. По този начин има достатъчно място за монтаж на корпуса с двигателя и достатъчно разстояние между ползвателите на мивките. **Фиг. D.**

Не поставяйте насочения надолу воден сензор на смесителя над отразяваща повърхност, например като изпускателния отвор. **Фиг. E.**

Фиг. F

Сапун и поставяне на диспенсър за сапун

Dyson препоръчва гел сапуните като най-подходящи. Инфрочервената сензорна зона за активация на въздуха е разположена по дължината на всяко от рамената на смесителя. За да не се активира случайно смесителя, важно е да предвидите движението на ръцете, когато посягат към диспенсера за сапун.

Диспенсърът трябва да е на поне 60 мм от крайната точка на смесителя така че човекът да се пресегне настрана от рамото на смесителя.

Освен това диспенсърът трябва да е поне 60 мм над рамената, за да не се активират сензорите.

Потребителят може да се пресегне и диагонално към сапуна, като тази траектория също не бива да пресича зоната на сензорите.

Фиг. G/H

Отвеждане на водата.

Тъй като струите на въздуха и водата, движещи се с висока скорост, са в близост една до друга, възможно е вода или сапун да пръснат извън размерите на мивката. За да намалите количеството пръски, препоръчваме да следвате насоките по-долу.

Профил на основата

Ако профилът на основата е плосък, водата няма да се оттича добре и ще има много пръски. За да подобрите оттичането, избягвайте мивки с гладко дъно, като се фокусирате най-вече на мястото около канала, минимум 60 мм радиус, **фиг. G.**

За да се оттича добре водата и да се намали рискът от пръски, дъното трябва да има поне 6° наклон към канала (поне 60 мм радиус), **фиг. H.**

Фиг. I/J/K

Преминаване основа към гръб и предна стена

Обмислете и монтаж с основата към гръба и монтаж на стена. Задната стена трябва да е поне на 90° и на възможно най-остър радиус, **фиг. I**. Формите с криви има по-голяма вероятност да увеличат пръските, **фиг. J**, а преходите към предна и задна стена с наклон трябва да се избягват, **фиг. K**.

Фиг. L

Отвор с тапа

Препоръчваме възможно най-широко отворени отвори с тапа, а тези с решетка или перфорация трябва да се избягват, тъй като намаляват оттичането на сапунената вода. Не използвайте тапи в отворите за тапи в мивките.

Фиг. M

Контрол на температурата на водата.

Ако свързвате със студена и топла вода, ще трябва да монтирате смесителна клапа.

Ако свързвате само със студена вода, ще трябва да монтирате нагревател.

Подаването на вода към този продукт трябва да е придружено с устройство за контрол на температурата според местните разпоредби.

A= смесителна клапа

B= подаване на топла и студена вода

C= желана изходна температура

D= клапа за изолация

E= нагревател

F= вход за студена вода

Допълнителна информация

Монтаж

Не използвайте лепило при закрепяне на уреда към стената.

Осигурете достъпни за свързване електрически връзки и връзки за смесено водоподаване и оттичане. Трябва да има подходящ тип изолация за подаването на ток и вода, за да се изключи подаването преди монтаж или сервизно обслужване.

Електричество

Входен волтаж/честота: вижте табелката. Изолирано с предпазител или RCD, както е подходящо.

Ток 6,6 А.

Спецификация за кабела: двоен PVC + единичен PVC (заземяване)

При монтажа и поправката на този продукт спазвайте местните правила за електрическите инсталации.

Номинална мощност: вижте табелката.

Диапазон на работната температура: 0° – 40 °C.

Консумация на ток при режим на готовност:

по-малко от 0,5 W.

Максимална височина: 2000 метра.

Работа с вода

Скорост на потока вода: 4 l/min с нормално монтиран аератор. 1,9 l/m с аератора за нисък дебит, който се доставя с продукта.

Изисквано налягане на водата: 1 – 8 бара.

1/2" BSP изолирана клапа се изисква за поддръжка.

Вторичното връщане на гореща вода трябва да е възможно най-близо до смесителната клапа, за да се намали рискът от развитие на бактерията Legionella.

Автоматично промиване

Уредът има функция за автоматично промиване, което се активира за 60 секунди, когато изтекът 24 часа от последното използване. По този начин се намалява застояването на водата и разпространението на бактерии в уреда.

Уредът постоянно трябва да е над действаща мивка със свободни, правилно свързани тръби за оттичане.

Чистота на подаваната вода и развитие на микроорганизми

В някои държави има разпоредби или насоки, изискващи системите за подаване на вода с контрол на температурата (като тази, доставена заедно със смесителя със сешоар за ръце Dyson Airblade Wash+Dry) да се чистят редовно, за да се намали развитието на организми. За да Ви помогне да спазите тези изисквания, смесителят със сешоар за ръце Dyson Airblade Wash+Dry е проектирана и тествана така, че да издържа вътрешно почистване и с гореща вода до 95 °C, и с натриев хипохлорит с концентрация 0,45%.

Вижте конкретните местни (пазарни) разпоредби и препоръки за системи за подаване на вода за информация относно начините на почистване с цел получаване на чиста вода и предотвратяване развитието на организми.

Когато правите вътрешно почистване на смесителя със сешоар за ръце Dyson Airblade Wash+Dry, спазвайте изискванията за безопасност при работа с гореща вода или химикали. Dyson не носи отговорност за потенциално претърпените наранявания по време на такъв процес.

Грубо тестване

Смесителят е преминал множество груби тестове, за да се уверим, че може да издържи на прилагане на голяма сила и на удар, според очакваното в тоалетната на търговски обект или в обществена тоалетна.

СТЪПКА ПО СТЪПКА

Фиг. 1

Позиция

Поставете крана над центъра на резервоара, **фиг. 1**.

Направете 35-милиметров отвор върху работната повърхност, ако е необходимо.

Фиг. 2

Монтаж на крана

Плъзнете 1-милиметровото гумено уплътнение към оста на крана, **фиг. 2а**.

Поставете оста на крана, прикрепената тръба за вода и комуникационния кабел през отвора в работната повърхност. 1-милиметровото гумено уплътнение трябва да е поставено под крана равно и плоско.

Кранът трябва да е в правилното положение над мивката.

Плъзнете 3,5-милиметровото гумено уплътнение към оста на крана.

Поставете винтовете в месинговите заключващи пръстени и затегнете леко, за да ги поставите на място.

Плъзнете металната шайба по оста на крана.

Завийте месинговата заключваща гайка върху оста на крана, като оставите пролука между тях, по-малка или равна на 5 mm.

Затегнете здраво на ръка винтовете чрез месинговата заключваща гайка в металната шайба.

A= 1 mm гумено уплътнение

B= ос на смесителя

C= тръба за вода

D= сензорен кабел

E= 3,5 mm уплътнение

F= метална шайба

G= месингова заключваща гайка

H= 2 x винта

Фиг. 3

Монтаж на маркуча

Плъзнете сивия маркуч върху тръбата за вода и сензорния кабел, **фиг. 3а**.

Пхнете тръбата за вода през левия отвор за изход в тръбата на маркуча, както е показано на **фиг. 3b**.

Използвайте клещи, за да издърпате внимателно тръбата за вода до мястото, обозначено с непрекъсната бяла линия, **фиг. 3с**.

Уплътнителният пръстен на водопроводната тръба трябва да приляга плътно в канала на маркуча, така че да е херметично, **фиг. 3b**.

Прокарайте сензорния кабел през десния изходен отвор, издърпвайки го внимателно, докато го поставите, **фиг. 3b**. НЕ ИЗПОЛЗВАЙТЕ клещи, защото може да повредят електрическите връзки, **фиг. 3с**. Уплътнителният пръстен на кабела трябва да приляга плътно в тръбата на маркуча, така че да е херметично, **фиг. 3d**.

При сглобяването можете да използвате силиконова смазка.

Завийте горната халка на маркуча към оста на смесителя на ръка, **фиг. 3е**.

A= сив маркуч

B= тръба за вода

C= сензорен кабел

Фиг. 4

Подготовка за монтаж на задната пластина

Махнете корпуса с двигателя от задната пластина, като натиснете червения освобождаващ зъб на дъното и повдигнете, както е показано на **фиг. 4а**. Поставете корпуса на двигателя на безопасно място, докато дойде време да го монтирате.

Махнете капака за водната тръба и капака за електрическите кабели от задната пластина, като използвате отвертка Torx T15, **фиг. 4b** и **4с**. Оставете ги на безопасно място, докато не Ви потрябват.

Фиг. 5

Монтаж на задната пластина и маркуча

Задната пластина може да бъде поставена по един от трите начина: вертикално или на 90° хоризонтално вляво или вдясно. Отстоянието от пода трябва да бъде минимум 100 mm. Вж. **фиг. 5а**.

Задната пластина трябва да е поставена така, че маркучът да може да се постави лесно.

НЕ поставяйте двигателя на обратно с маркуча, сочещ надолу или поставен над крана. Вж. **фиг. 5b**.

Маркирайте позицията на задната пластина върху стената.

Вход за кабел

Входът за кабела може да бъде или откъм основата, или откъм стената директно в задната част на уреда през задната входна точка за кабел. Преди да започнете, решете по кой начин ще поставите кабела. Ако изберете опцията за въвеждане на кабел през основата, използвайте клещи, за да отстраните внимателно маркирания отчупващ се панел на основата на задната пластина. Изгладете ръбовете на отвора, **фиг. 5с**.

Воден отвор

Връзката за вода се осъществява от лявата страна на задната пластина. Връзката за вода не може да се върти, когато е поставена на задната пластина, **фиг. 5d**.

Фиг. 6

Монтаж на задната пластина

Ако входът за кабел ще бъде директно в задната пластина откъм стената, издърпайте изцяло електрическия кабел преди закрепяне на задната пластина към стената.

Закрепете задната пластина към стената с помощта на съответните крепежни елементи, **фиг. 6**.

Не използвайте винтове със скрита глава.

Фиг. 7

Свързване на сензорния кабел
Закрепете маркуча в задната пластина.

Свържете сензорния кабел в маркуча в конектора в задната пластина, както е показано на **фиг. 7**. Проверете посоката на конектора; двата щифта трябва да бъдат изравнени. Кабелът трябва да е правилно прокаран в задната пластина.

Фиг. 8

Свързване на тръбата за вода
Отрежете тръбата за вода до размера при пунктираната бяла линия, както е показано на **фиг. 8a**.

Плъзнете скобата за маркуч (в комплекта) върху тръбата за вода, **фиг. 8b**. Махнете двата винта Phillips и откачете соленоидната клапа от задната пластина, **фиг. 8b**.

Закрепете маркуча за вода към соленоидната клапа, **фиг. 8c**.

Закрепете соленоидната клапа отново на задната пластина и затегнете двата винта, **фиг. 8d**.

Стегнете скобата на маркуча и се уверете, че кабелът на соленоидната клапа е поставен правилно във фиксиращия канал.

Фиг. 9

Свързване на електроподаването
Прокарайте електрическото захранване към задната пластина с помощта на одобрена гъвкава или твърда защитна тръба за кабел и фитинги. Уверете се, че кабелът е достатъчно дълъг, за да се свърже с клеморедата на задната пластина.

Прекарайте кабела през задната пластина и стегнете кабелното уплътнение. Оголете кабела според необходимата дължина и свържете фазата и нулата в съответните клеми, както е показано на **фиг. 9**. Уверете се преди това, че кабелите са правилно разположени.

Фиг. 10

Сглобете отново капака за електрическите кабели
Поставете капака и стегнете с 6-те елемента, като внимавате да не затиснете някой кабел.

Фиг. 11

Свързване на подаването на вода
Водоподаването трябва да е напълно изчистено от отпадъци, медни стърготини и др., преди да свържете със задната пластина. Ако не спазите горното изискване, соленоидната клапа може да се повреди, което да доведе до това тя да не се затваря правилно и кранчето да капе.

Свържете изолираното смесено водоподаване към задната пластина. Пуснете водата.

Проверете за течове при входа на основното водоподаване и при свързването на тръбата за вода към смесителя.

Проверете и за течове при свързването на соленоидната клапа.

Фиг. 12

Включване на захранването
Включете захранването към машината. ЦИКЪЛ ЗА КАЛИБРИРАНЕ: След монтаж смесителят ще извърши 30-секунден цикъл на калибрация.

Поставете ръка под сензора на смесителя, за да активирате водния поток. **Фиг. 12a**.

Проверете за течове съгласно **фиг. 11**.

Закрепете капака на тръбата за вода към задната пластина с двата крепежни елемента, както е показано на **Фиг. 12b**.

Фиг. 13

Сглобяване на корпуса на двигателя
Закачете двигателя към горната част на електрическия капак. Завъртете надолу, за да щракне на място, както е показано. Натиснете добре, **фиг. 13a**.

ПО ИЗБОР: Осигурен е винт за закрепване на червения бутон за освобождаване, който пречи копрусът на двигателя да се откачи сам. Тествайте уреда за правилна работа.

Закрепете корпуса на двигателя към задната пластина (по избор).

За да отстраните филтъра, внимателно използвайте отвертка, за да освободите щифта на филтъра, както е показано на **фиг. 13b**.

Закрепете корпуса с двигателя към задната пластина с помощта на предоставения предпазен винт, **фиг. 13c**.

Свържете отново филтъра, като се уверите, че е застопорен на място, **фиг. 13d**.

Тестване на МОНТАЖА

Тествайте сешоара за ръце за правилна работа:

- Сложете ръцете си от двете страни на центъра на смесителя, за да активирате сешоара.
- Движете бавно ръцете си напред и назад през въздушните потоци. Обърнете ръцете така, че и задната част, и дланите да усещат въздуха.
- Движете бавно ръцете си напред и назад през въздушните потоци. Обърнете ръцете така, че и задната част, и дланите да усещат въздуха.

Отстраняване на неизправности

Сешоарът за ръце не стартира:

- Проверете дали предпазителят/електрическият прекъсвач работи и дали електрическото захранване и водоподаването са свързани.
- Уверете се, че капачката за почистване е отстранена, сензорите са чисти и пред тях няма препятствия.
- Включете и изключете уреда.

Сешоарът за ръце се включва и изключва хаотично:

- Включете и изключете уреда.
- Проверете дали в мивката няма тапа и я махнете, ако е налична.
- Уверете се, че сензорите са чисти.
- Проверете дали кабелът на сензора от смесителя е добре свързан.

По време на употреба сешоарът прекъсва:

- Включете и изключете уреда.
- Уверете се, че сензорите са чисти.
- Проверете дали входните отвори за въздух са чисти и без прах. Ако входните отвори за въздух са прашни, отстранете прахта.
- Уверете се, че във входните отвори за въздух няма препятствия и има достатъчно пространство.

Времето за изсушаване се е увеличило.

- Проверете входните отвори за въздух за наличие на прах и го отстранете.
- Проверете филтъра и сменете, ако е необходимо.
- Уверете се, че маркучът е здраво свързан към основата на смесителя и няма течове.

Въздухът е по-горещ от обикновено:

- Проверете входните отвори за въздух за наличие на прах и го отстранете.
- Проверете филтъра и сменете, ако е необходимо.
- Уверете се, че маркучът е здраво свързан към основата на смесителя и няма течове.

Въздухът е постоянно активен:

- Проверете за предмети в мивката и ги махнете, ако е нужно.
- Уверете се, че сензорите са чисти и без запушвания.
- Проверете филтъра и сменете, ако е необходимо.
- Уверете се, че маркучът е здраво свързан към основата на смесителя и няма течове.

Въздухът не се активира:

- Включете и изключете уреда.
- Проверете дали предпазителят/електрическият прекъсвач работи и дали захранването е свързано.
- Уверете се, че сензорите са чисти.
- Уверете се, че маркучът за въздух е добре закрепен към основата на смесителя и няма течове.
- Проверете дали кабелът на сензора от смесителя е добре свързан.

Водата постоянно тече:

- Уверете се, че сензорите са чисти и без запушвания.

Водата не тече;

- Уверете се, че електрическото и водното захранване са включени и изолационната клапа е отворена.
- Уверете се, че аераторът не е запушен, извадете и почистете/подменете, ако е необходимо.

Водата е твърде гореща или твърде студена:

- Проверете дали смесителната клапа е на желаната температура.
- Свържете се с отдела за обслужване на клиенти на Dyson за още помощ или информация или посетете www.dyson.com.

BR

Índice

Instruções de segurança importantes 29 

Na caixa 30

Verificações na pré-instalação 31

Instalação

Passo a passo 33

Teste da instalação 35

Solução de problemas 35

INSTRUÇÕES DE SEGURANÇA IMPORTANTES

LEIA E GUARDE ESTAS INSTRUÇÕES

ANTES DE INSTALAR OU USAR ESTE APARELHO, LEIA TODAS AS INSTRUÇÕES E ALERTAS DESTES GUIA DE INSTALAÇÃO E DO MANUAL DO PROPRIETÁRIO.

AVISO

TODAS AS INSTALAÇÕES E SERVIÇOS DE REPARO (ENCANAMENTO E ELÉTRICO) DEVEM SER REALIZADOS POR PESSOAL QUALIFICADO OU PELO TÉCNICO DE MANUTENÇÃO DA DYSON, DE ACORDO COM OS CÓDIGOS E AS NORMAS LOCAIS VIGENTES.

AVISO

RISCO DE CHOQUE ELÉTRICO!

SE O INVÓLUCRO FOR RETIRADO OU MANUSEADO DE FORMA INADEQUADA, OS COMPONENTES INTERNOS DA UNIDADE PODEM CAUSAR DANOS OU SER DANIFICADOS PERMANENTEMENTE.

ESTA UNIDADE DEVE SER ATERRADA PARA REDUZIR O RISCO DE INCÊNDIO, CHOQUE ELÉTRICO OU LESÕES CORPORAIS.

Antes de iniciar qualquer serviço de instalação, é necessário confirmar o seguinte.

- Verifique se a alimentação elétrica corresponde aos dados exibidos na placa de dados técnicos.

- Em conformidade com as normas locais relativas à fiação, é necessário incorporar à fiação fixa um meio para a desconexão de todos os polos.
- Conecte a alimentação de energia elétrica utilizando conduítes e componentes elétricos adequados. Certifique-se de que o conduíte e os fios tenham o comprimento suficiente para conectar a placa traseira e o bloco de terminais. Os conduítes de metal sólido não são adequados para a entrada lateral.

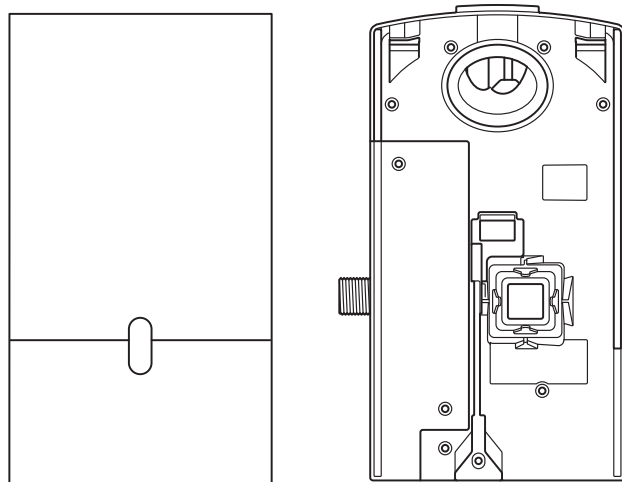
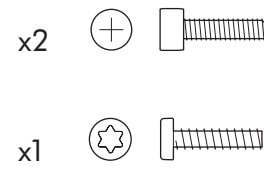
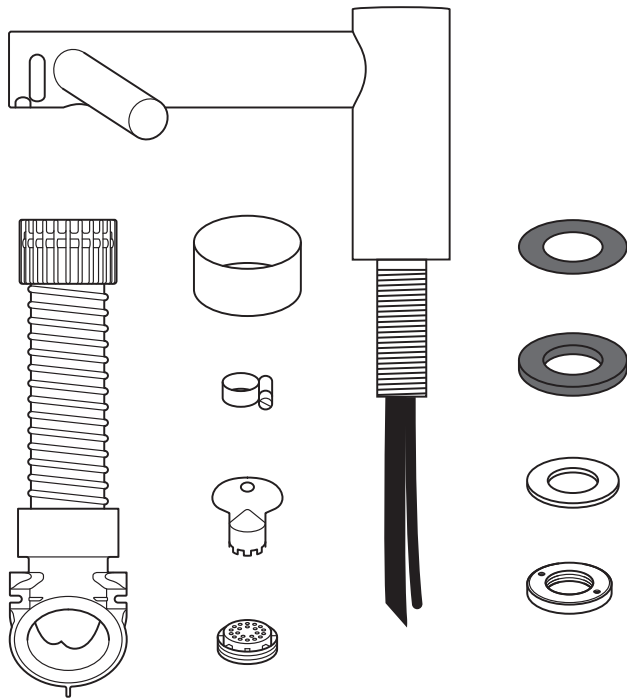
AVISO

Tenha cuidado ao desembalar os componentes. Pode haver arestas/cantos afiados que podem cortar ou causar dano.

NÃO UTILIZE APARELHOS DE LAVAGEM A JATO NA UNIDADE OU PRÓXIMO A ELA

Na caixa

BR



Ferramentas necessárias:

- Chave de fenda Phillips pequena
- Chave de fenda comum de 7 mm
- Chave de fenda simples de 2,5 mm
- Chave de fenda Torx T15
- Fita métrica e lápis
- Furadeira manual
- Broca adequada
- Alicate comum/alicate desencapador
- Faca
- Chave inglesa ajustável

Verificações na pré-instalação

Fig. A

Planejamento pré-instalação

O secador de mãos Dyson Airblade Wash+Dry foi projetado de modo que a unidade do motor seja montada na parede e posicionada sob a bacia.

Figura A(i).

Recomendamos a montagem de um filtro incorporado para evitar avarias que possam afetar a garantia.

- Deixe espaço suficiente para acesso durante a instalação e manutenção. Consulte a [figura A\(ii\)](#).
- A unidade foi projetada apenas para locais secos em ambiente interno.
- Consulte os códigos e as normas locais e nacionais de acessibilidade para obter orientações relevantes para a instalação. A conformidade com esses códigos e normas e o cumprimento deles são de responsabilidade do instalador. Certifique-se de que a unidade seja instalada utilizando o duto, a tampa do duto e o invólucro de metal fornecidos.
- Em conformidade com as normas locais relativas à fixação, é necessário incorporar à fixação fixa um meio para a desconexão de todos os polos.
- Isole a alimentação de energia e de água antes da instalação ou da manutenção.
- Certifique-se de que nenhuma tubulação (gás, água, ar) ou cabos elétricos, fios ou dutos estejam localizados diretamente atrás da área de perfuração/montagem.

- A Dyson recomenda o uso, conforme necessário, de roupas, óculos e materiais de proteção ao fazer a instalação/reparo.
- Este aparelho deve ficar conectado de forma permanente ao abastecimento de água.

Utilização em áreas de preparo de alimentos

É necessária uma instalação especial para ambientes de preparação de alimentos, na qual o balde de motor e a mangueira devem ser completamente envolvidos em uma carcaça lavável ou o balde de motor deve ser instalado no lado reverso de uma parede, proporcionando espaço adequado para a limpeza embaixo da unidade (se aplicável) e de modo que a unidade esteja pelo menos a 2,5 metros dos alimentos não cobertos ou de superfícies de contato com alimentos não cobertas.

Antes de instalar, consulte o guia de recomendação da pia no site www.dyson.com.

Fig. B

Instruções para especificação da pia

Utilizando um método de teste projetado especialmente para isto, os engenheiros da Dyson testaram uma variedade de pias para averiguar a compatibilidade delas com o secador de mãos para a Dyson Airblade Wash+Dry. Para ver as pias recomendadas, acesse nosso guia em www.dyson.com.

As pias de porcelana e de metal escovado são as ideais. As pias com superfícies altamente polidas devem ser evitadas, como as cromadas refletoras.

Para obter as dimensões mínimas da pia, consulte a [Fig. B](#).

Fig. C/D/E

Montagem da torneira

Deve haver um espaço mínimo de 100 mm e um espaço máximo de 155 mm do topo da pia até o centro da torneira. [Fig. C](#).

Deve haver um espaço mínimo de 290 mm entre o centro da torneira e a parede lateral. Quando várias torneiras forem instaladas lado a lado, os centros dessas torneiras devem ter no mínimo 580 mm de distância entre eles. Dessa forma, haverá espaço suficiente para montar o balde de motor, bem como para os usuários. [Fig. D](#). Não posicione o sensor de água que fica voltado para baixo na parte interna da torneira sobre uma superfície refletora como, por exemplo, a de um ralo. [Fig. E](#).

Fig. F

Sabão e localização da saboneteira

Para que a experiência do usuário seja melhor, a Dyson recomenda a utilização de sabonetes em gel.

A área do sensor infravermelho para ativação do ar estende-se ao longo dos braços da torneira. Para impedir a ativação acidental, é importante considerar o trajeto da mão do usuário até a saboneteira.

A saboneteira deve ficar localizada, pelo menos, 60 mm fora da área tomada pela largura da torneira para que o usuário chegue próximo da lateral do braço da saboneteira.

Deve ficar localizada também, e pelo menos, 60 mm acima dos braços da torneira, para que os sensores não sejam ativados.

Observe que o usuário pode alcançar o sabão diagonalmente e, assim, esse caminho não pode passar pela área do sensor.

Fig. G/H

Escoamento de água

Como água e ar saem em alta velocidade e próximos um do outro, é possível que haja dispersão de água e sabão fora da área da pia. Para reduzir esse efeito, recomendamos seguir as orientações abaixo.

Perfil da base

O perfil de base plana resultará em um escoamento ruim, levando a altos níveis de respingos. Para melhorar o escoamento, evite as pias de base plana, especialmente na área imediatamente em volta do ralo, com raio mínimo de 60 mm. [Fig. G](#).

Uma rampa com ângulo mínimo de 6°, a contar da borda do ralo da pia, proporcionará bom escoamento, reduzindo os respingos (raio mínimo de 60 mm) [Fig. H](#).

Fig. I/J/K

Transição da base para a parede traseira e dianteira

A transição da base para a parede traseira e dianteira também deve ser considerada. A parede traseira deve estar próxima a 90° e em um raio mais preciso possível [Fig. I](#). É mais provável que a geometria curva aumente os respingos [Fig. J](#), ao passo que as transições oblíquas para trás e para a frente devem ser evitadas [Fig. K](#).

Fig. L

Ralo

Recomenda-se a utilização de ralos com aberturas maiores, ao passo que os ralos do tipo grade ou perfurados devem ser evitados, pois restringem o escoamento da água com sabão (espuma). Não use tampões nos ralos das pias.

Fig. M

Controle da temperatura da água

Caso a conexão esteja sendo feita com alimentação de água quente e fria, será necessário instalar uma válvula misturadora. Caso a conexão seja feita apenas com alimentação de água fria, será necessário instalar um aquecedor.

O fornecimento de água para este produto deve ser equipado com um dispositivo de controle de temperatura, de acordo com a regra local.

A= Válvula misturadora
B= Alimentação quente e fria
C= Temperatura desejada de saída
D= Válvula de isolamento
E= Aquecedor
F= Alimentação fria

Informação adicional

Instalação

Não utilize selante ao fixar a unidade na parede. Certifique-se de que eletricidade e conexões de fornecimento de água misturada e drenagem estejam disponíveis para conexão.

O isolamento adequado do fornecimento de água e eletricidade deve estar instalado para desligar a alimentação antes da instalação e para realizar a manutenção.

Elétrico

Tensão de entrada/frequência: consulte a placa de dados técnicos.

Consulte a placa de dados técnicos.

Curent 6,6 A.

Especificação do cabo: PVC de núcleo duplo + PVC de núcleo simples (terra).

As regras locais relativas à eletricidade devem ser seguidas quando da instalação ou reparo do produto.

Potência nominal: consulte a placa de dados técnicos.

Faixa de temperatura operacional: 0–40 °C.

Consumo de energia em espera: menor que 0,5 W.

Altitude máxima: 2000 metros.

Operação da água

Taxa de fluxo da água: Ventilador de 4 l/min encaixado normalmente. 1,9 l/m com ventilador de baixo fluxo fornecido com o produto.

Pressão necessária da água: 1-8 bar.

É necessário utilizar uma válvula isolada de 1/2" BSP para realizar a manutenção.

Mantenha o retorno secundário de água quente o mais próximo possível da válvula misturadora para reduzir o risco de proliferação de bactérias Legionella.

Lavagem Automática

A unidade está equipada com um sistema de descarga automática da água, que se ativa durante 60 segundos e 24 horas após a última utilização. Isso ajuda a reduzir a estagnação da água e a proliferação de bactérias dentro do produto.

Por favor, certifique-se de que as unidades estão sempre instaladas sobre uma bacia funcional com drenagem livre e conectada.

Limpeza e proliferação de micróbios no abastecimento de água

Em alguns países, há regras ou diretrizes que exigem que os sistemas de fornecimento de água com temperatura controlada (como, por exemplo, o fornecido para o secador de mãos Dyson Airblade Wash+Dry) sejam submetidos a limpezas regulares para minimizar a proliferação de micróbios. Para que você possa cumprir essas regras, o secador de mãos Dyson Airblade Wash+Dry foi projetado e testado para aguentar limpezas internas com água quente até 95 °C e com hipoclorito de sódio na concentração de 0,45%.

Consulte as regras específicas (do mercado) e as recomendações relativas ao sistema de fornecimento de água para saber mais informações sobre os regimes de limpeza, para purificação do fornecimento de água e prevenção contra a proliferação de micróbios de seu país.

Ao realizar a limpeza interna do secador de mãos Dyson Airblade Wash+Dry, lembre-se de seguir as recomendações de segurança sobre a utilização de água quente ou produtos químicos. A Dyson não se responsabiliza por danos causados por este processo.

Teste exaustivo

O secador de mãos Dyson Airblade Wash+Dry foi submetido a testes rigorosos e exaustivos para assegurar que aguenta forças e impactos consideráveis, típicos dos ambientes dos banheiros comerciais e públicos.

Passo a passo

Fig. 1

Posição

Posicione a torneira sobre o centro da bacia. [Figura 1.](#)

Se necessário, faça um orifício de 35 mm de diâmetro na superfície de trabalho.

Fig. 2

Instalação da torneira

Deslize a vedação de borracha de 1 mm sobre a base da torneira. [Figura 2a.](#)

Passe a base da torneira, o tubo de água anexo e o cabo de comunicação através do orifício da superfície de trabalho. Verifique se a vedação de borracha de 1 mm está assentada sob a torneira de forma uniforme e plana.

Verifique se a torneira está na posição correta acima da pia.

Deslize a vedação de borracha de 3,5 mm na base da torneira.

Insira os parafusos no anel de travamento de latão e aperte-os ligeiramente para fixá-los no lugar.

Deslize a arruela de metal sobre a base da torneira.

Parafuse a porca de travamento de latão sobre a base da torneira, deixando uma folga inferior ou igual a 5 mm entre a arruela de metal e a porca de travamento de latão.

Aperte os parafusos pela porca de travamento de latão na arruela de metal até que se encontrem firmes.

A= Vedação de borracha de 1 mm
B= Base da torneira
C= Tubo de água
D= Cabo do sensor
E= Vedação de 3,5 mm
F= Arruela de metal
G= Porca de travamento de latão
H= 2 parafusos

Fig. 3

Instalação da mangueira

Deslize a mangueira cinza sobre o tubo de água e o cabo do sensor. [Figura 3a.](#)

Passe o tubo de água pelo orifício de saída esquerdo no duto da mangueira, conforme exibido na [figura 3b.](#)

Utilize um alicate comum para puxar cuidadosamente o tubo de água até a linha branca sólida. [Figura 3c.](#)

Verifique se o anel de vedação do tubo de água se ajusta bem ao duto da mangueira de modo que fique selado (não permitindo a passagem de ar). [Figura 3b.](#)

Passe o cabo do sensor pelo orifício de saída direito, puxando-o cuidadosamente enquanto realiza a operação. [Figura 3b.](#) NÃO UTILIZE um alicate isso poderá danificar as conexões elétricas. [Figura 3c.](#) Verifique se o anel de vedação do cabo se ajusta bem ao duto da mangueira de modo que fique selado. [Figura 3d.](#) Pode-se usar graxa de silicone para ajudar no encaixe.

Parafuse o anel superior da mangueira na base da torneira de modo que fique firme. [Figura 3e.](#)

A= Mangueira cinza
B= Tubo de água
C= Cabo do sensor

Fig. 4

Preparando a instalação da placa traseira

Remova o balde de motor traseira pressionando e levantando o gatilho vermelho na parte inferior, conforme exibido na [figura 4a.](#) Guarde o balde de motor em local seguro até quando for necessário.

Remova a proteção do tubo de água e a proteção elétrica da placa traseira usando uma chave de fenda Torx T15. [Figuras 4b e 4c.](#) Guarde-as em local seguro junto com os acessórios até quando for necessário.

Fig. 5

Planejamento da instalação da placa traseira

A placa traseira pode ser posicionada em uma das três formas: na vertical, 90° na horizontal para a esquerda ou para a direita. A distância do piso deve ser de no mínimo 100 mm. Consulte a [figura 5a.](#)

Verifique se a placa traseira está posicionada de modo que a mangueira possa ser facilmente instalada.

NÃO POSICIONE o balde de motor para baixo com a mangueira apontando para baixo, nem o posicione acima da torneira. Consulte a [figura 5b.](#)

Marque a posição da placa traseira na parede com um lápis.

Entrada do cabo

A entrada do cabo deve ser feita a partir da base ou da parede, diretamente na parte traseira da unidade pelo ponto de entrada traseiro do cabo. Decida antes de iniciar. Caso escolha a opção de entrada do cabo pela base, use um alicate para retirar com cuidado o painel de conectores marcado na base da placa traseira. Lixe as arestas da seção retirada para que fiquem lisas. [Figura 5c.](#)

Entrada de água

A conexão da água é feita na lateral esquerda da placa traseira. A conexão de água não pode ser torcida no interior da placa traseira. [Figura 5d.](#)

Fig. 6

Instalação da placa traseira

Se a entrada do cabo for feita diretamente na placa traseira a partir da parede, puxe o cabo elétrico antes de fixar a placa traseira na parede.

Fixe a placa traseira na parede utilizando os acessórios apropriados. [Figura 6.](#)

Não utilize parafusos escareados.

Fig. 7

Conexão do cabo do sensor

Prenda a mangueira cinza na placa traseira.

Conecte o cabo do sensor na mangueira no conector da placa traseira, conforme exibido na [figura 7.](#) Verifique a posição do conector; as duas abas devem estar alinhadas.

Verifique se o posicionamento do cabo está correto na placa traseira.

Fig. 8

Conectando o tubo de água

Corte o tubo de água no tamanho marcado pela linha branca pontilhada, conforme exibido na [figura 8a](#).

Deslize o grampo da mangueira (fornecido) pelo tubo de água. [Figura 8b](#).

Remova os dois parafusos Phillips e solte o solenoide da placa traseira. [Figura 8b](#).

Instale a mangueira de água no solenoide. [Figura 8c](#).

Prenda o solenoide novamente na placa traseira e aperte os dois parafusos. [Figura 8d](#).

Aperte a braçadeira da mangueira e verifique se o cabo do solenoide está posicionado corretamente no canal de retenção.

Fig. 9

Conexão do fornecimento de eletricidade

Passe a alimentação de energia elétrica pela placa traseira utilizando um conduíte flexível ou sólido e componentes aprovados. Certifique-se de que o cabo de energia seja longo o suficiente para ser conectado ao bloco de terminais montado na placa traseira.

Passe o cabo pela placa traseira e aperte a prensa-cabos.

Estique o cabo até um comprimento adequado e prenda os fios elétricos e os neutros nos blocos de terminais correspondentes, conforme apresentado na [Fig. 9](#). Antes de continuar, certifique-se de que os cabos estão posicionados corretamente.

Fig. 10

Reinstale a proteção elétrica

Fixe a proteção elétrica e prenda-a com os seis componentes de fixação fornecidos, de forma que nenhum fio fique preso.

Fig. 11

Conexão da alimentação de água misturada

Antes de conectar a placa traseira, certifique-se de que o fornecimento de água foi inteiramente limpo de resíduos, limalhas de cobre, etc. Se não for feita tal limpeza, a válvula de solenoide pode ser avariada. Nesse caso, a válvula não se fechará corretamente, fazendo com que, ainda que com registro fechado, a torneira pingue.

Conecte a alimentação isolada de água misturada à placa traseira.

Ligue a água.

Verifique se há vazamentos no fornecimento principal de água e na conexão do tubo de água para a torneira.

Verifique também se há vazamentos na conexão do solenoide.

Fig. 12

Ligação da energia

Ligue a energia da máquina.

CICLO DE CALIBRAÇÃO: Quando instalada, a torneira passará por um ciclo de calibração de 30 segundos.

Coloque a mão sob o sensor da torneira para ativar o fluxo de água. [Fig. 12a](#).

Verifique se há vazamentos conforme exibido na [Fig. 11](#).

Prenda a proteção do cano d'água na placa traseira usando os 2 acessórios de fixação fornecidos. [Fig. 12b](#).

Fig. 13

Instalação do balde de motor

Fixe o motor sobre a tampa dos componentes elétricos. Gire-o para baixo para que se encaixe na posição, conforme apresentado. Empurre-o para dentro com firmeza [Fig. 13a](#).

OPCIONAL: Um parafuso é fornecido para prender o botão vermelho de liberação e evitar uma remoção indesejada do balde de motor.

Teste a unidade para verificar se está operando corretamente.

Fixando o balde de motor na placa traseira (opcional).

Para remover o filtro, utilize uma chave de fenda para soltar cuidadosamente a aba do filtro, como exibido [figura 13b](#).

Fixe o balde de motor na placa traseira utilizando o parafuso de segurança fornecido [Figura 13c](#).

Reconecte o filtro, certificando-se de que fique fixo no lugar [Figura 13d](#).

Teste da instalação

Teste o secador de mãos para verificar se está operando normalmente:

- Coloque suas mãos embaixo do centro da torneira, e a água fluirá automaticamente enquanto suas mãos permanecerem no lugar.
- Coloque suas mãos em qualquer um dos lados da torneira para ativar o secador de mãos.
- Movimente vagarosamente as mãos no ar para frente e para trás. Vire as mãos para que o dorso e a palma fiquem expostos ao fluxo de ar.

O secador de mãos não liga:

- Verifique se o fusível/disjuntor está funcionando e se o aparelho está ligado às fontes de alimentação de eletricidade e de água.
- Certifique-se de que o tampão de limpeza foi retirado e de que os sensores estão limpos e desobstruídos.
- Desligue e ligue a unidade.

O secador de mãos está ligando e desligando sozinho — e erráticamente:

- Desligue e ligue a unidade.
- Certifique-se de que não há tampo na pia e remova se o mesmo estiver presente.
- Certifique-se de que os sensores estão limpos.
- Verifique se o cabo do sensor da torneira está conectado com firmeza.

O secador de mãos às vezes para de funcionar durante o uso:

- Desligue e ligue a unidade..
- Certifique-se de que os sensores estão limpos.
- Verifique se as entradas de ar estão desobstruídas e livres de poeira. Caso as entradas de ar estejam empoeiradas, basta remover a poeira.
- Certifique-se de que as entradas de ar não estão obstruídas e tenham espaço suficiente.

Solução de problemas

O tempo de secagem aumentou:

- Verifique se as entradas de ar estão sujas e limpe-as.
- Verifique o filtro e troque-o, se necessário.
- Certifique-se de que a mangueira está conectada com firmeza à base da torneira e que não há vazamentos.

O fluxo de ar está mais quente do que o normal:

- Verifique se as entradas de ar estão sujas e limpe-as.
- Verifique o filtro e troque-o, se necessário.
- Certifique-se de que a mangueira está conectada com firmeza à base da torneira e que não há vazamentos.

O ar está fluindo sem parar:

- Verifique se há objetos na pia e remova-os, se necessário.
- Certifique-se de que os sensores estão limpos e desobstruídos.
- Verifique o filtro e troque-o, se necessário.
- Certifique-se de que a mangueira está conectada com firmeza à base da torneira e que não há vazamentos.

O ar não está fluindo:

- Desligue e ligue a unidade.
- Verifique se o fusível/disjuntor está funcionando e se o aparelho está ligado à alimentação elétrica.
- Certifique-se de que os sensores estão limpos.
- Certifique-se de que a mangueira de ar está conectada com firmeza à base da torneira, sem que haja vazamentos.
- Verifique se o cabo do sensor da torneira está conectado com firmeza.

A água não para de sair da torneira:

- Certifique-se de que os sensores estão limpos e desobstruídos.

Não para de sair água da torneira:

- Certifique-se de que há alimentação elétrica e de água e de que a válvula de isolamento está aberta.
- Certifique-se de que o ventilador está livre de detritos. Remova-o e limpe-o/ substitua-o, se necessário.

A água que sai da torneira está quente ou fria demais:

- Verifique se a válvula misturadora está configurada para a temperatura desejada. Entre em contato com o Atendimento ao Cliente da Dyson para obter mais suporte e informações no site www.dyson.com

CA Contents

Important Safety Instructions 37 

In the box 38

Pre-installation checks 39

Installation

Step-by-step 41

Test installation 43

Troubleshooting 43

IMPORTANT SAFETY INSTRUCTIONS

READ AND SAVE THESE INSTRUCTIONS

BEFORE INSTALLING OR USING THIS UNIT READ ALL INSTRUCTIONS AND CAUTIONARY MARKINGS IN THIS INSTALLATION GUIDE AND THE OWNERS MANUAL.

WARNING

ALL INSTALLATION AND REPAIR WORK (PLUMBING AND ELECTRICAL) SHOULD BE CARRIED OUT BY A QUALIFIED PERSON OR DYSON SERVICE ENGINEER IN ACCORDANCE WITH CURRENT LOCAL CODES OR REGULATIONS.

WARNING

RISK OF ELECTRIC SHOCK!

IF CASING IS REMOVED OR HANDLED IMPROPERLY THE INTERNAL COMPONENTS OF THE UNIT MAY CAUSE HARM OR BECOME PERMANENTLY DAMAGED.

TO REDUCE THE RISK OF FIRE, ELECTRIC SHOCK, OR INJURY TO PERSONS, OBSERVE THE FOLLOWING:

Before beginning any installation work you must confirm the following.

- Check that the electrical supply corresponds to that shown on the rating plate.
- A means for all-pole disconnection must be incorporated into fixed wiring, in accordance with local wiring regulations.

- Connect the electricity supply using suitable conduit and electrical fittings. Ensure that the conduit and wires are long enough to connect to the backplate and the terminal block. Solid metal conduit is not suitable for side entry.

WARNING

Use caution when unpacking the components. There may be sharp edges/corners which may cut or cause harm.

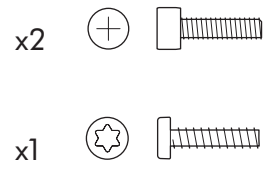
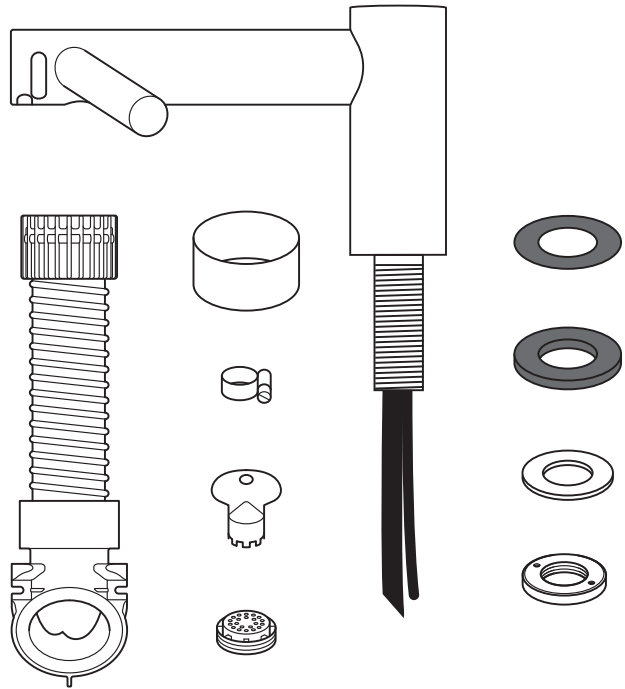
DO NOT USE ANY JET WASH EQUIPMENT FOR CLEANING ON OR NEAR THIS UNIT

CA

CAFR

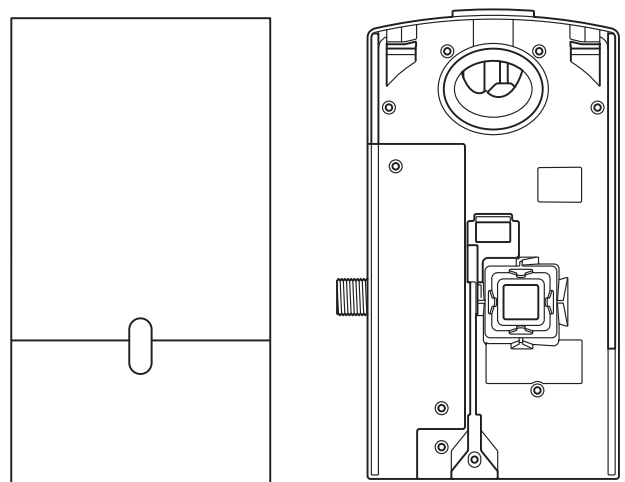
In the box

CA
CAFR



Tools required:

- Small Phillips screwdriver
- 7mm blade screwdriver
- Small bladed screwdriver
- Torx drive T15
- Tape measure and pencil
- Hand drill
- Suitable drill bit
- Pliers/wire strippers
- Knife
- Adjustable spanner



Pre-installation checks

Fig. A

Pre-installation planning

The Dyson Airblade Wash+Dry hand dryer is designed so that the motor unit is wall mounted and located under the basin Fig. A(i).

The fitting of an inline filter is advised to prevent any damage that may affect your limited warranty.

- Allow sufficient access space for installation and servicing, see Fig A(ii).
- The unit is designed for dry, internal location only.
- Consult local and national accessibility codes and regulations for relevant installation guidelines. Conformity and compliance is the responsibility of the installer. Make sure that the unit is installed in compliance with all building codes and/or regulations.
- A means for all-pole disconnection must be incorporated into fixed wiring, in accordance with local wiring regulations.
- Isolate the power and water supplies before installation or service.
- Ensure no pipe work (gas, water, air) or electrical cables, wires or ductwork are located directly behind the drilling/mounting area.
- Dyson recommends the use of protective clothing, eye wear and materials when installing/repairing as necessary.
- This appliance is intended to be permanently connected to the water mains.

Use in food preparation areas

For food preparation environments special installation is required, which must fully

enclose the motor bucket and hose in a cleanable housing or have the motor bucket on the reverse side of a wall, provide adequate clearance for cleaning underneath (if applicable) and be such that the unit is at least 2.5 metres (8.20 feet) from uncovered food or uncovered food-contact surfaces.

Refer to the Sink recommendation guide at www.dysoncanada.ca prior to install.

Fig. B

Sink specification guidelines

Using a specially designed test method, Dyson engineers tested a wide range of sinks to assess their compatibility with the Dyson Airblade Wash+Dry hand dryer. For recommended sinks, please use our guide at www.dysoncanada.ca.

Porcelain or brushed metal sinks are ideal. Sinks with highly polished surfaces should be avoided e.g. reflective chrome. For minimum sink dimensions refer to Fig. B.

Fig. C/D/E

Tap mounting

There should be a minimum of 100mm (3.93 inches) and a maximum of 155mm (6.10 inches) from the top of the sink to the tap centre. Fig. C.

There should be a minimum of 290mm (11.41 inches) between a tap centre and a side wall. When multiple taps are installed side-by-side, tap centres should be a minimum of 580mm (22.83 inches) apart. This allows

sufficient space for mounting the motor bucket, as well as sufficient shoulder room for users. Fig. D.

Do not place the downward facing water sensor of the tap over a reflective surface, such as the drainage hole. Fig. E.

Fig. F

Soap and locating the soap dispenser

For best user experience, Dyson recommends the use of gel soap.

The infrared sensing zone for air activation extends along each tap branch. In order to prevent accidental activation, it's important to consider the user's hand route to the soap dispenser.

The dispenser should be located at least 60mm (2.36 inches) outside the width of the tap, so the user reaches around the side of the branch.

It should also be located at least 60mm (2.36 inches) above the branches, so that the sensors are not activated.

Please note that the user may reach diagonally across for the soap, so this path must not go through the sensing zone.

Fig. G/H

Water drainage

Due to high velocity air and water being in close proximity, there is a chance of some water and soap dispersion outside the sink dimensions. To alleviate this effect, we recommend following the guidelines below.

Base Profile

Flat base profile will result in poor drainage leading to high levels of splashback. To improve drainage, avoid sinks with a flat base with particular focus on the immediate area surrounding the drain hole, minimum 60mm (2.36 inches) radius. Fig. G.

Minimum of 6° ramp angle from the edge of the drain hole of the sink will result in good drainage leading to reduced levels of splashback (minimum 60mm (2.36 inches) radius). Fig. H.

Fig. I/J/K

Base to back and front wall transition

The base to back and front wall transition should also be considered. The back wall should be as close to 90°, and at as sharp a radius as possible Fig. I. Curved geometry is more likely to increase splashback Fig. J, whereas sloping back and front wall transitions should be avoided Fig. K.

Fig. L

Plug hole

Plug holes with the most open aperture are recommended, whereas grille or perforated type plug holes should be avoided as they restrict the drainage of soapy water (lather). Do not use plugs within the plug holes in sinks.

Fig. M

Water temperature control

If you are connecting a hot and cold water feed you will need to install a blender valve. If connecting to cold only water feed you will need to install a heater.

The water supply to this product must be fitted with a temperature control device in accordance with local regulations.

- A= Blender valve
- B= Hot and cold feed
- C= Desired temperature out
- D= Isolation valve
- E= Heater
- F= Cold feed in

Additional Information

Installing

Do not use sealant when fixing the unit to the wall.
Ensure electricity and mixed water supplies and drainage connections are available for connection. Suitable isolation of the power and water supplies must be in place to switch off supplies before install and for servicing.

Electrical

Input voltage/Frequency: Refer to rating plate.
Isolated by switch fuse spur or RCD as appropriate.
Current 6.6 A.
Local electrical regulations must be adhered to when installing or repairing the product.
Rated power: Refer to rating plate.
Operating temperature range: 0° – 40°C.
Standby power consumption:
Less than 0.5 W.
Maximum altitude: 2,000 metres.

Water operation

Water flow rate: 4 l/min normal fitted aerator.
1.9 l/m with low flow aerator supplied with product.
Water pressure required: 1-8 bar. 3.8 cm (1.5 inches) BSP isolated valve required for service.

Keep secondary hot water return as close to blender valve as possible to reduce the risk of Legionella bacteria growth.

Automatic duty flush

The unit is equipped with a fixed automatic water flush, which activates for 60 seconds 24 hours after last use. This helps reduce water stagnation and bacteria proliferation within the product.

Please ensure the unit is always installed over a functional basin with free and connected drainage.

Water supply cleanliness and biological growth

In some countries there are regulations or guidelines that require temperature controlled water supply systems (such as that supplied to the Dyson Airblade Wash+Dry hand dryer) to be subjected to regular cleaning to minimise any biological growth. To enable you to meet these regulations, the Dyson Airblade Wash+Dry hand dryer has been designed and tested to withstand internal cleaning both with hot water up to 95°C and with sodium hypochlorite at a concentration of 0.45%.

Please refer to specific (market) regulations and water supply system recommendations for information on cleaning regimes for water supply cleanliness and biological growth for your country.

When carrying out internal cleaning of the Dyson Airblade Wash+Dry hand dryer, please be aware of any safety considerations when using hot water or chemicals. Dyson Canada will not be responsible for any injury caused by this process.

Abusive testing

The Dyson Airblade Wash+Dry hand dryer has undergone rigorous abusive testing to ensure that it can withstand substantial forces and impacts typical of a commercial and public bathroom environment.

Step-by-step

Fig. 1

Position

Position the Tap over the centre of the basin Fig. 1.

Cut a 35 mm diameter hole in the work surface, if required.

Fig. 2

Tap installation

Slide the 1mm rubber seal on to the tap stem Fig. 2a.

Feed the tap stem and the attached water tube and communications cable through the hole in the work surface. Ensure the 1mm rubber seal is seated under the tap evenly and flat.

Ensure tap is in the correct position above the sink.

Slide the 3.5mm rubber seal on to the tap stem.

Insert the screws into the brass locking ring and tighten lightly to hold them in place.

Slide the metal washer on to the tap stem.

Screw the brass locking nut on to the tap stem, leaving a gap less than or equal to 5mm between the metal washer and the brass locking nut.

Tighten the screws through the brass locking nut into the metal washer, until hand tight.

A= 1mm rubber seal
B= Tap stem
C= Water tube
D= Sensor cable
E= 3.5mm seal
F= Metal washer
G= Brass locking nut
H= 2 x screws

Fig. 3

Hose Installation

Slide the grey hose up over the water tube and sensor cable Fig. 3a.

Feed the water tube through the left exit hole in the hose duct as shown in Fig. 3b.

Use pliers to gently pull the water tube through as far as the solid white line Fig. 3c.

Ensure the grommet on the water tube fits tightly into the hose duct so that it is airtight Fig. 3b.

Feed the sensor cable through the right exit hole, pulling gently as you feed it through Fig. 3b. DO NOT use pliers as this may damage the electrical connections Fig. 3c. Ensure the grommet on the cable fits tightly into the hose duct so that it is airtight Fig. 3d. Silicone grease may be used to assist with the fitting.

Screw the upper hose collar on to the tap stem so that it is hand tight Fig. 3e.

A= Grey hose
B= Water tube
C= Sensor cable

Fig. 4

Preparing for installation of backplate

Remove the motor bucket from the backplate by pressing the red release catch at the bottom and lifting up as shown in Fig. 4a. Store the motor bucket safely until required.

Remove the water pipe cover and the electrics cover from the backplate using a Torx T15 screwdriver Fig. 4b and 4c. Store them safely along with fixings until required.

Fig. 5

Backplate installation

The backplate can be positioned in one of three ways: vertical, or 90° horizontal left or right. Clearance from the floor should be a 100mm minimum see Fig. 5a.

Ensure that the backplate is positioned so that the hose can be easily attached.

DO NOT place motor upside down with hose pointing down, or position above the Tap see Fig. 5b.

Mark the position of the backplate on the wall.

Cable entry

Cable entry can be either from the base or from the wall directly into the back of the unit via the rear cable entry point. Decide which before you start.

If choosing the cable entry option through the base, use pliers to carefully nip out the pre-marked break-out panel on the base of the backplate. File the edges of the break-out section smooth Fig. 5c.

Water entry

Water connection is made on the left hand side of the backplate. The water connection can not be rotated within the backplate Fig. 5d.

Fig. 6

Backplate installation

If cable entry is to be directly into the backplate from the wall, pull through the electrical cable before securing the backplate to the wall.

Secure the backplate to the wall using the appropriate fixings Fig. 6.

Do not use countersunk screws.

Fig. 7

Connecting the sensor cable

Clip the grey hose into the backplate.

Plug the sensor cable in the hose into the connector in the backplate as shown in Fig. 7. Check the orientation of the connector; the two tabs must be lined up. Ensure the cable is correctly routed in the backplate.

Fig. 8

Connecting the water tube

Cut the water tube to size at the dotted white line as shown in Fig. 8a.

Slide the hose clip (supplied) on to the water tube Fig. 8b.

Remove the 2 x Phillips screws and unclip the solenoid from the backplate Fig. 8b.

Attach the water hose to the solenoid Fig. 8c.

Clip the solenoid back on to the backplate and fasten the 2 x screws Fig. 8d.

Tighten the hose clip and ensure the solenoid cable is correctly positioned in the retaining channel.

Fig. 9

Connecting the electricity supply

Route the electricity supply to the backplate using approved flexible or solid conduit and fittings. Ensure the power cable is long enough to connect to the terminal block mounted in the back plate.

Route the cable into the backplate and tighten the cable gland.

Strip the cable to a suitable length and secure the live and neutral wires into the corresponding terminal blocks as shown in Fig. 9. Ensure the correct positioning of the cables before proceeding.

Fig. 10

Re-assemble electrical cover

Fix the electricals cover and secure with the 6 x fixings supplied ensuring no wires are trapped.

Fig. 11

Connecting the mixed water supply

Ensure water feed has been completely flushed of debris, copper filings etc. prior to connecting to the backplate. Failure to do so may damage the solenoid valve resulting in it not closing properly, creating a dripping tap.

Connect the isolated, mixed water supply to the backplate.

Turn on the water.

Inspect for leaks at the main water supply inlet and the water tube connection to the tap.

Also check for leaks at the solenoid connection.

Fig. 12

Switching power on

Switch on power to the machine.

CALIBRATION CYCLE: Once installed, the tap will go through a 30 second calibration cycle.

Place hand under sensor on tap to activate water flow. Fig. 12a.

Check for leaks as per Fig. 11.

Secure the water pipe cover onto the backplate using the 2 x fixings provided. Fig 12b.

Fig. 13

Assembling the motor bucket

Hook the motor to the top of the electricals cover. Swing it downwards so it clicks into place as shown. Push in securely Fig. 13a.

OPTIONAL: A screw is supplied to secure the red release button and prevent unwanted removal of the motor bucket.

Test the unit for correct operation.

Securing the motor bucket to the backplate (optional).

To remove the filter, gently use a screwdriver to release the tab on the filter as shown Fig. 13b.

Secure the motor bucket to the backplate using the security screw supplied Fig. 13c.

Re-connect the filter ensuring that it clicks into place Fig. 13d.

Test installation

Test the hand dryer for normal operation:

- Place your hands beneath the centre of the tap and water will flow automatically for as long as the hands remain in place.
- Place your hands to either side of the centre tap to activate the hand dryer, creating sheets of air to scrape water from your hands.
- Move your hands backwards and forwards slowly through the air, turning them over so both back and front are exposed to the airflow.

Troubleshooting

Hand dryer fails to start:

- Check fuse/circuit breaker is working and that the power and water supply are connected.
- Ensure the cleaning cap is removed and that the sensors are clean and unobstructed.
- Turn the unit off and on.

Hand dryer turns itself on and off erratically:

- Turn the unit off and on.
- Ensure there is no plug in the sink and remove if plug is present.
- Ensure sensors are clean.
- Check that the sensor cable from the tap is securely connected.

Hand dryer sometimes cuts out in use:

- Turn the unit off and on.
- Ensure sensors are clean.
- Check the air inlets are clean and free of dust. If the air inlets are dusty simply remove dust.
- Ensure that the air inlets are free from obstructions and have sufficient clearance.

The dry time has increased:

- Inspect the air inlets for dust and remove.
- Inspect filter and change if required.
- Ensure that the hose is securely attached to the base of the tap and no leaks are present.

The airflow is running hotter than usual:

- Inspect the air inlets for dust and remove.
- Inspect filter and change if required.
- Ensure that the hose is securely attached to the base of the tap and no leaks are present.

Air is continuously running:

- Check for any object in the sink and remove if necessary.
- Ensure sensors are clean and free from any obstructions.
- Inspect filter and change if required.
- Ensure that the hose is securely attached to the base of the tap and no leaks are present.

There is no air running:

- Turn the unit off and on.
- Check fuse/circuit breaker is working and that the power is connected.
- Ensure sensors are clean.
- Ensure that the air hose is securely attached to the base of the tap and no leaks are present.
- Check that the sensor cable from the tap is securely connected.

Water is continuously coming from the tap:

- Ensure sensors are clean and free from any obstructions.

There is no water coming from the tap:

- Ensure that the power and water supplies are turned on and that the isolation valve is open.
- Ensure that the aerator is free from debris, remove and clean/replace if necessary.

The water coming from the tap is overly hot or cold:

- Check the blender valve is set to the desired temperature.

Contact Dyson Customer Care for further support and information or online at www.dysoncanada.ca

CA

CAFR

CAFR

Contenu

Consignes de sécurité importantes 45 

Contenu de la boîte 46

Contrôles à effectuer avant l'installation 47

Installation

Étape par étape 49

Test de l'installation 51

Dépannage 51

CONSIGNES DE SÉCURITÉ IMPORTANTES

LISEZ CES CONSIGNES ET CONSERVEZ-LES

AVANT D'INSTALLER OU D'UTILISER CETTE UNITÉ, VOUS ÊTES TENU DE LIRE TOUTES LES INSTRUCTIONS ET MISES EN GARDE CONTENUES DANS LE GUIDE D'INSTALLATION ET DANS LE GUIDE D'UTILISATION.

AVERTISSEMENT

TOUS LES TRAVAUX DE RÉPARATION ET D'INSTALLATION (TRAVAUX DE PLOMBERIE ET ÉLECTRIQUES) DOIVENT ÊTRE EFFECTUÉS PAR UNE PERSONNE QUALIFIÉE OU UN TECHNICIEN DE MAINTENANCE DYSON CONFORMÉMENT À TOUS LES CODES ET RÈGLEMENTS LOCAUX EN VIGUEUR.

AVERTISSEMENT

RISQUE DE CHOC ÉLECTRIQUE!

SI LE BOÎTIER EST RETIRÉ OU MANIPULÉ DE MANIÈRE INAPPROPRIÉE, LES COMPOSANTS INTERNES DE L'UNITÉ PEUVENT CAUSER DES BLESSURES OU S'ENDOMMAGER DE MANIÈRE PERMANENTE.

POUR RÉDUIRE TOUT RISQUE D'INCENDIE, DE CHOC ÉLECTRIQUE OU DE BLESSURE, VOUS ÊTES TENU DE RESPECTER LES INSTRUCTIONS SUIVANTES :

Avant de procéder à l'installation, il est nécessaire de confirmer les points suivants.

- Assurez-vous que l'alimentation électrique correspond à celle figurant sur la plaque signalétique.
- Un dispositif permettant de désactiver tous les pôles doit être intégré dans le câblage électrique fixe, conformément aux règlements locaux relatifs aux câblages électriques.
- Branchez l'alimentation électrique en utilisant un conduit et des raccords électriques appropriés. Assurez-vous que le conduit et les fils sont d'une longueur suffisante pour permettre le raccordement à la plaque arrière et au bornier. Les conduits en métal solide ne conviennent pas pour un point d'entrée latéral.

AVERTISSEMENT

Faites preuve de précaution en déballant les composants. Ils peuvent avoir des bords ou coins acérés qui peuvent causer des coupures ou des blessures.

N'UTILISEZ PAS D'APPAREIL DE LAVAGE HAUTE PRESSION POUR NETTOYER L'UNITÉ OU SES ABORDS IMMÉDIATS.

Contrôles à effectuer avant l'installation

Fig. A

Vérifications préalables à l'installation

Le sèche-mains Dyson Airblade Wash+Dry est conçu de telle sorte que le moteur est monté dans le mur et situé sous le lavabo – Fig. A(i).

Il est conseillé d'installer un filtre en ligne pour prévenir tout dommage pouvant interférer avec votre garantie.

- Veillez à ce qu'il y ait suffisamment d'espace libre pour l'installation et les entretiens. Voir la Fig. A(ii).
- L'unité est conçue pour des emplacements secs à l'intérieur seulement.
- Consultez les codes et règlements locaux relatifs à l'accessibilité pour connaître les directives d'installation pertinentes. Il incombe à l'installateur de s'assurer de la conformité. Assurez-vous que l'unité est installée en conformité avec tous les codes du bâtiment et règlements de la construction.
- Un dispositif permettant de désactiver tous les pôles doit être intégré dans le câblage électrique fixe, conformément aux règlements locaux relatifs aux câblages électriques.
- Isolez l'alimentation électrique et en eau avant de procéder à l'installation ou la réparation.
- Assurez-vous qu'il n'y a pas de conduite d'alimentation (gaz, eau, air) ni de fils ou de câbles électriques directement derrière la zone de fixation/montage.

- Dyson recommande le port de vêtements, de lunettes et d'équipement de protection lors de l'installation et des réparations, si nécessaire.
- Cet appareil est conçu pour être branché de manière permanente au réseau de distribution d'eau.

Utilisation dans des zones de préparation des aliments

Une installation spéciale est requise dans les zones de préparation des aliments. Le bloc moteur et le tuyau souple doivent alors être complètement enfermés dans un boîtier nettoyable ou le bloc moteur doit être placé de l'autre côté de la paroi, l'espace au-dessous doit être suffisant pour permettre le nettoyage (le cas échéant) et l'unité doit être située à au moins 2,5 mètres (8,20 pieds) de toute nourriture non couverte ou de toute surface non couverte en contact avec des aliments.

Reportez-vous au guide des recommandations relatives au lavabo sur le site www.dysoncanada.ca avant de procéder à l'installation.

Fig. B

Recommandations relatives aux spécifications du lavabo

En utilisant une méthode d'essai spécialement mise au point, les ingénieurs de Dyson ont testé une vaste gamme de lavabos en vue d'évaluer leur compatibilité avec le robinet sèche-mains Dyson Airblade Wash+Dry.

Pour connaître les modèles de lavabos recommandés, veuillez utiliser notre guide sur le site www.dysoncanada.ca

Les lavabos à la surface en porcelaine ou métal brossé conviennent de manière idéale. Il n'est pas recommandé de l'installer sur des lavabos à surfaces hautement polies comme le chrome brillant.

Pour connaître les dimensions minimales du lavabo, reportez-vous à la Fig. B.

Fig. C, D, E

Installation du robinet

La distance entre le haut du lavabo et le centre du robinet doit être de 100 mm (3,93 po) minimum et de 155 mm (6,10 po) maximum. Fig. C.

La distance minimale entre le centre du robinet et le mur latéral doit être de 290 mm (11,41 po). Lorsque plusieurs robinets sont installés les uns à côté des autres, la distance entre les centres des robinets doit être de 580 mm (22,83 po) afin de laisser suffisamment d'espace pour le bloc moteur et entre les utilisateurs. Fig. D.

Ne placez pas le capteur d'eau du robinet tourné vers le bas au-dessus d'une surface réfléchissante, comme l'orifice d'évacuation. Fig. E.

Fig. F

Savon et emplacement du distributeur de savon

Pour une meilleure expérience d'utilisation, Dyson recommande d'utiliser du savon en gel.

La zone de détection à infrarouge pour activer l'alimentation en air s'étend le long de chaque branche du robinet. Pour éviter toute activation accidentelle, il est important de tenir compte de

la trajectoire de la main de l'utilisateur jusqu'au distributeur de savon.

Le distributeur doit se trouver à au moins 60 mm (2,36 po) en partant de l'extrémité du robinet afin que l'utilisateur y accède en contournant la branche du robinet.

Il doit également se trouver à au moins 60 mm (2,36 po) au-dessus des branches pour éviter toute activation des capteurs.

Veillez noter que l'utilisateur peut atteindre le distributeur de savon en diagonale et il ne doit pas passer dans la zone d'activation des capteurs.

Fig. G, H

Évacuation de l'eau

En raison de la proximité du flux d'air à haute vitesse et de l'eau, il peut arriver que de l'eau et du savon soient projetés hors du périmètre du lavabo. Pour éviter cet effet, nous recommandons de suivre les recommandations ci-après.

Profil de la base

Un profil de base plat entraîne un écoulement inadéquat, qui augmente le niveau d'éclaboussures. Pour améliorer l'évacuation, évitez les lavabos à base plate et accordez une attention particulière à la zone entourant l'orifice d'évacuation, sur un rayon de 60 mm (2,36 po) au moins. Fig. G.

Veillez à avoir au minimum un angle de 6° du bord de l'orifice d'évacuation du lavabo, ce qui améliore l'évacuation et réduit les projections d'eau (d'un rayon minimum de 60 mm [2,36 po]). Fig. H.

Fig. I, J, K

Transition entre la base et les parois arrière et avant

Il faut également prendre en considération la transition entre la base et les parois arrière et avant. La paroi arrière doit se trouver à un angle de 90°, selon un rayon le plus aigu possible.

Fig. I. Une forme courbe risque d'augmenter le niveau d'éclaboussures (Fig. J), et il convient d'éviter des transitions en pente vers les parois avant et arrière Fig. K.

Fig. L

Orifice d'évacuation

Il est recommandé que l'orifice d'évacuation du lavabo ait la plus grande ouverture possible et il faut éviter les grilles ou les orifices d'évacuation à perforations étant donné que cela restreint l'évacuation de l'eau savonneuse (mousse). N'utilisez pas de bouchons dans les lavabos.

Fig. M

Contrôle de la température de l'eau

Si vous connectez des conduits d'alimentation en eau froide et en eau chaude, vous devez installer une vanne mélangeuse.

Si le robinet est connecté à un conduit d'alimentation en eau froide seulement, vous devez installer un dispositif de chauffage.

L'alimentation en eau de ce produit doit être dotée d'un dispositif de contrôle de la température, conformément aux règlements locaux en vigueur.

A= Vanne du mélangeur
B= Alimentation en eau chaude et eau froide
C= Température de sortie désirée
D= Vanne d'isolement
E= Dispositif de chauffage
F= Arrivée de l'alimentation en eau froide

Autres informations

Installation

Pour fixer l'unité au mur, n'utilisez pas de mastic. Assurez-vous que les branchements pour l'alimentation électrique, la conduite d'alimentation en eau mélangée et la conduite d'évacuation sont disponibles. Prévoyez une isolation adaptée de l'alimentation en électricité et en eau afin de pouvoir les désactiver avant l'installation et pour effectuer les entretiens.

Système électrique

Tension d'alimentation/fréquence : reportez-vous à la plaque signalétique.
Isolé par une prise équipée d'un fusible ou un disjoncteur différentiel de fuite à la terre (DDFT), selon le cas.

Courant de 6,6 A.

Lors de l'installation du produit ou pour toute réparation, les réglementations locales relatives aux installations électriques doivent être respectées.

Puissance nominale : reportez-vous à la plaque signalétique.

Plage de température de fonctionnement : 0 à 40 °C.

Consommation énergétique en veille :

Inférieure à 0,5 W

Altitude maximale : 2 000 mètres

Système d'alimentation en eau

Débit d'eau : 4 l/minute avec un aérateur standard. 1,9 l/minute avec l'aérateur à faible débit fourni avec l'appareil.

Pression d'eau requise : 1 à 8 bar. Vanne d'isolement BSP de 3,8 cm (1,5 po) requise pour les réparations.

Maintenez la conduite de retour d'eau chaude secondaire le plus près possible de la vanne mélangeuse pour réduire le risque de prolifération des légionelles.

Rinçage automatique

L'unité est équipée d'un système de rinçage automatique fixe qui s'active pendant 60 secondes 24 heures après la dernière utilisation. Cette fonction permet de réduire la stagnation d'eau et la prolifération de bactéries dans le produit.

Veillez vous assurer que l'unité est toujours installée au-dessus d'un lavabo fonctionnel avec une évacuation libre et reliée au réseau.

Propreté du système d'alimentation en eau et prolifération biologique

Dans certains pays, des réglementations ou des directives exigent que les systèmes d'alimentation en eau à régulation de température (comme celui qui alimente le sèche-mains Dyson Airblade Wash+Dry) fassent l'objet de nettoyages réguliers pour réduire toute prolifération biologique. Pour être en conformité avec ces réglementations, le sèche-mains Dyson Airblade Wash+Dry a été conçu et testé de manière à supporter un processus de nettoyage des conduits intérieurs à l'eau chaude jusqu'à une température de 95 °C avec une solution d'hypochlorite de sodium concentrée à 0,45 %.

Veillez vous reporter aux règlements particuliers du marché et aux recommandations relatives à l'alimentation en eau pour avoir des renseignements sur les procédures de nettoyage permettant de garantir la propreté du système d'alimentation en eau et de limiter la prolifération biologique dans votre pays. Lorsque vous effectuez le nettoyage des conduits intérieurs du sèche-mains Dyson Airblade

Wash+Dry, veillez à respecter les consignes de sécurité relatives à l'utilisation d'eau chaude ou de produits chimiques. Dyson Canada décline toute responsabilité pour toute blessure résultant du processus de nettoyage.

Tests de résistance

Le sèche-mains Dyson Airblade Wash+Dry a été soumis à des tests de résistance rigoureux, visant à garantir qu'il est capable de supporter les forces et impacts importants typiques des environnements de toilettes commerciales ou publiques.

Étape par étape

Fig. 1

Positionnement

Placez le robinet au-dessus du centre du lavabo – Fig. 1.

Découpez un trou de 35 mm de diamètre sur la surface de travail, au besoin.

Fig. 2

Installation du robinet

Glissez le joint d'étanchéité en caoutchouc de 1 mm sur la tige du robinet – Fig. 2a.

Faites passer la tige du robinet et le tube d'alimentation en eau qui y est fixé ainsi que le câble de communication dans le trou percé dans la surface de travail. Assurez-vous que le joint d'étanchéité en caoutchouc de 1 mm est bien stable et plat sous le robinet.

Vérifiez que le robinet est correctement positionné au-dessus du lavabo.

Insérez le joint d'étanchéité en caoutchouc de 3,5 mm sur la tige du robinet.

Insérez les vis dans la bague de blocage en laiton et vissez-les légèrement pour qu'elles restent en place.

Glissez la rondelle en métal sur la tige du robinet.

Vissez l'écrou de blocage en laiton sur la tige du robinet, en laissant un espace de 5 mm ou moins entre la rondelle en métal et l'écrou de blocage en laiton.

Serrez les vis à la main dans l'écrou de blocage en laiton et la rondelle en métal.

A= Joint d'étanchéité en caoutchouc de 1 mm
B= Tige du robinet
C= Tube d'alimentation en eau
D= Câble du capteur
E= Joint d'étanchéité de 3,5 mm
F= Rondelle en métal
G= Écrou de blocage en laiton
H= 2 vis

Fig. 3

Installation du tuyau

Glissez le tuyau gris vers le haut par-dessus le tube d'alimentation en eau et le câble du capteur – Fig. 3a.

Faites passer le tube d'alimentation en eau par l'orifice de sortie gauche dans le conduit du tuyau, conformément à la Fig. 3b.

Utilisez des pinces pour tirer avec précaution le tube d'eau jusqu'à la ligne blanche continue – Fig. 3c.

Assurez-vous que la bague sur le tube d'eau s'insère parfaitement dans le conduit du tuyau de manière à être étanche à l'air – Fig. 3b.

Faites passer le câble du capteur par l'orifice de sortie droit, en le tirant doucement – Fig. 3b. N'UTILISEZ PAS de pinces pour éviter d'endommager les connexions électriques – Fig. 3c. Assurez-vous que le passe-câble sur le câble s'insère parfaitement dans le conduit du tuyau de manière à être étanche à l'air – Fig. 3d. Utilisez de la graisse au silicone pour l'ajustement, au besoin.

Vissez manuellement à fond le collier supérieur du tuyau sur la tige du robinet – Fig. 3e.

A= Tuyau gris
B= Tube d'alimentation en eau
C= Câble du capteur

Fig. 4

Préparatifs de l'installation de la plaque arrière

Pour retirer le bloc moteur de la plaque arrière, appuyez sur la languette de dégagement rouge en bas et tirez-le vers le haut conformément à la Fig. 4a. Rangez le bloc moteur dans un endroit sûr jusqu'à sa réinstallation.

Retirez le couvercle du conduit d'eau et le couvercle du système électrique fixés sur la plaque arrière à l'aide du tournevis Torx T15 – Fig. 4b et 4c. Rangez-les avec le matériel de fixation dans un endroit sûr jusqu'à la réinstallation.

Fig. 5

Installation de la plaque arrière

La plaque arrière peut être montée de trois manières : verticalement, ou horizontalement à droite ou à gauche. L'espace libre au-dessus du sol doit être de 100 mm minimum, voir la Fig. 5a.

Assurez-vous que la plaque arrière est positionnée de sorte que le tuyau puisse y être raccordé facilement.

NE PLACEZ PAS le moteur à l'envers, le tuyau pointant vers le bas, et ne le positionnez pas au-dessus du robinet. Voir la Fig. 5b.

Marquez l'emplacement de la plaque arrière sur le mur.

Point d'entrée du câble

Le point d'entrée du câble peut se trouver à la base de la plaque ou dans le mur directement à l'arrière de l'unité, le câble passant par le point d'entrée arrière. Avant de commencer, choisissez le point d'entrée du câble.

Si vous choisissez de faire passer le câble par la base de la plaque, utilisez des pinces pour retirer avec précaution le panneau prépercé à la base de la plaque arrière. Limez les bords de l'ouverture – Fig. 5c.

Point d'entrée de l'eau

Le raccordement pour l'eau est sur le côté gauche de la plaque arrière. Il est impossible de faire pivoter le raccordement pour l'eau dans la plaque arrière – Fig. 5d.

Fig. 6

Installation de la plaque arrière

Si l'entrée du câble doit se faire directement dans la plaque arrière à partir du mur, faites passer le câble électrique avant de fixer la plaque au mur.

Fixez la plaque arrière au mur à l'aide du matériel de fixation approprié – Fig. 6.

N'utilisez pas de vis à tête fraisée.

Fig. 7

Raccordement du câble du capteur

Fixez le tuyau gris à la plaque arrière.

Raccordez le câble du capteur dans le tuyau au connecteur sur la plaque arrière, conformément à la Fig. 7. Vérifiez l'orientation du connecteur – les deux languettes doivent être alignées. Assurez-vous que le câble est correctement inséré dans la plaque arrière.

Fig. 8

Connexion du tube d'alimentation en eau

Coupez le tube d'alimentation en eau à la ligne blanche pointillée, comme illustré à la Fig. 8a.

Glissez le collier de serrage (fourni) sur le tube d'alimentation en eau – Fig. 8b.

Retirez les 2 vis Phillips et détachez le solénoïde de la plaque arrière – Fig. 8b.

Fixez le tuyau d'eau au solénoïde – Fig. 8c.

Rattachez le solénoïde à la plaque arrière et vissez les 2 vis – Fig. 8d.

Serrez le collier de serrage et assurez-vous que le câble du solénoïde est correctement positionné dans la rainure de retenue.

Fig. 9

Connexion de l'alimentation électrique

Acheminez l'alimentation électrique à la plaque arrière en utilisant un conduit flexible ou rigide et des raccords approuvés. Assurez-vous que le câble d'alimentation est assez long pour être branché au bornier fixé sur la plaque arrière.

Faites passer le câble dans la plaque arrière et vissez le presse-étoupe.

Dénudez le câble sur une longueur adéquate et branchez les fils sous tension et neutre sur les bornes appropriées, comme illustré à la Fig. 9. Vérifiez le positionnement correct des fils avant de continuer.

Fig. 10

Réinstallation du couvercle du système électrique

Fixez le couvercle du système électrique à l'aide des six vis fournies en veillant à ce que les câbles ne soient pas coincés.

Fig. 11

Branchement de la conduite d'alimentation en eau mélangée

Veillez à ce que l'alimentation en eau soit totalement exempte de débris, de limaille de cuivre, etc., avant d'effectuer le raccordement à la plaque arrière. Le non-respect de cette consigne peut entraîner un endommagement et une mauvaise fermeture de l'électrovanne, et provoquer une fuite du robinet.

Raccordez l'alimentation en eau mélangée isolée à la plaque arrière.

Tournez le robinet d'eau.

Vérifiez l'absence de fuite au niveau de l'entrée d'alimentation en eau et du raccord entre le tube d'alimentation en eau et le robinet.

Vérifiez également l'absence de fuite au niveau de la connexion du solénoïde.

Fig. 12

Mise sous tension

Mettez l'appareil sous tension.

CYCLE D'ÉTALONNAGE : une fois installé, le robinet effectue un cycle d'étalonnage de 30 secondes.

Placez la main sous le capteur sur le robinet afin d'enclencher le débit d'eau. Fig. 12a.

Vérifiez l'absence de fuite conformément à la Fig. 11.

Fixez le couvercle du conduit d'eau sur la plaque arrière à l'aide des deux vis fournies. Fig. 12b.

Fig. 13

Montage du bloc moteur

Accrochez le moteur en haut du couvercle du système électrique. Basculez-le vers le bas pour qu'il s'enclenche, tel qu'illustré. Exercez une pression pour le fixer. Fig. 13a.

EN OPTION : une vis est fournie pour bloquer le bouton de dégagement rouge et empêcher tout retrait imprévu du bloc moteur

Vérifiez si l'unité fonctionne bien.

Fixation du bloc moteur à la plaque arrière (facultatif)

Pour retirer le filtre, à l'aide d'un tournevis, dégagez avec précaution la languette sur le filtre, comme illustré à la Fig. 13b.

Fixez le bloc moteur à la plaque arrière à l'aide des vis de retenue fournies – Fig. 13c.

Raccordez de nouveau le filtre en vous assurant qu'il s'enclenche correctement – Fig. 13d.

Test de l'installation

Effectuez un essai pour vérifier si le sèche-mains fonctionne normalement :

- Placez les mains sous le centre du robinet. L'eau coule automatiquement tant que vous gardez les mains sous le robinet.
- Placez les mains d'un côté ou de l'autre de la partie centrale du robinet pour activer le sèche-mains. Des lames d'air vous raclent alors l'eau des mains.
- Déplacez lentement les mains d'avant en arrière en les tournant pour que les deux côtés soient exposés au flux d'air.

Dépannage

Le sèche-mains ne se met pas en marche :

- Assurez-vous que le fusible ou le coupe-circuit fonctionne et que l'alimentation électrique et l'alimentation en eau sont branchées.
- Assurez-vous que le capuchon de protection est retiré et que les capteurs sont propres et exempts de toute obstruction.
- Mettez l'appareil hors tension, puis à nouveau sous tension.

Le sèche-mains s'active et se désactive de manière désordonnée :

- Mettez l'appareil hors tension, puis à nouveau sous tension.
- Vérifiez l'absence de bouchon dans le lavabo. Retirez-le le cas échéant.
- Assurez-vous que les capteurs sont propres.
- Assurez-vous que le câble du capteur du robinet est bien branché.

Le sèche-mains s'arrête parfois en cours d'utilisation :

- Mettez l'appareil hors tension, puis à nouveau sous tension.
- Assurez-vous que les capteurs sont propres.
- Assurez-vous que les conduits d'admission d'air sont propres et exempts de poussière. Éliminez toute accumulation de poussières dans les conduits d'admission d'air le cas échéant.
- Assurez-vous que les conduits d'admission d'air sont exempts de toute obstruction et que l'ouverture est suffisante.

Le temps de séchage s'est allongé :

- Examinez les conduits d'admission d'air et éliminez toute accumulation de poussière le cas échéant.
- Examinez le filtre et remplacez-le si nécessaire.
- Assurez-vous que le tuyau est bien fixé à la base du robinet et qu'il n'y a aucune fuite.

Le jet d'air est plus chaud qu'à l'accoutumée :

- Examinez les conduits d'admission d'air et éliminez toute accumulation de poussière le cas échéant.
- Examinez le filtre et remplacez-le si nécessaire.
- Assurez-vous que le tuyau est bien fixé à la base du robinet et qu'il n'y a aucune fuite.

Le jet d'air fonctionne en permanence :

- Vérifiez s'il n'y a pas d'objets dans le lavabo et retirez-les le cas échéant.
- Assurez-vous que les capteurs sont propres et exempts de toute obstruction.
- Examinez le filtre et remplacez-le si nécessaire.
- Assurez-vous que le tuyau est bien fixé à la base du robinet et qu'il n'y a aucune fuite.

Il n'y a pas de jet d'air :

- Mettez l'appareil hors tension, puis à nouveau sous tension.
- Assurez-vous que le fusible ou le coupe-circuit fonctionne et que l'alimentation électrique est branchée.
- Assurez-vous que les capteurs sont propres.
- Assurez-vous que le tuyau d'air est bien fixé à la base du robinet et qu'il n'y a aucune fuite.
- Assurez-vous que le câble du capteur du robinet est bien branché.

De l'eau s'écoule constamment du robinet :

- Assurez-vous que les capteurs sont propres et exempts de toute obstruction.

L'eau ne s'écoule pas du robinet :

- Assurez-vous que l'alimentation électrique et l'alimentation en eau fonctionnent et que la vanne d'isolement est ouverte.
- Assurez-vous que l'aérateur est exempt de particule; il faut le retirer, puis le nettoyer ou le remplacer au besoin.

L'eau s'écoulant du robinet est trop chaude ou trop froide :

- Vérifiez si la vanne de mélange est bien réglée à la température désirée.
- Communiquez avec le service à la clientèle Dyson pour obtenir une assistance ou des informations complémentaires, ou consultez le site www.dysoncanada.ca.

CN 目录

重要安全说明 53 

包装盒内容 54

安装前检查 55

安装
详细步骤 57

测试安装 59

故障排除 59

重要安全说明

请阅读并妥善保管这些说明

安装或使用此设备之前, 请阅读本安装指南和用户手册中的全部说明及警告提示。

警告

所有安装和维修工作(管道和电气)应由合格的人员或戴森服务工程师根据当地法规或规定进行。

警告

触电危险!

如果外壳已被打开或被不当处理, 则本设备的内部零件可能会引起伤害或被永久损坏。

本设备必须接地以降低火灾、电击或人员受伤的风险。

开始任何安装工作之前, 您必须确认以下事项。

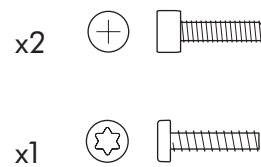
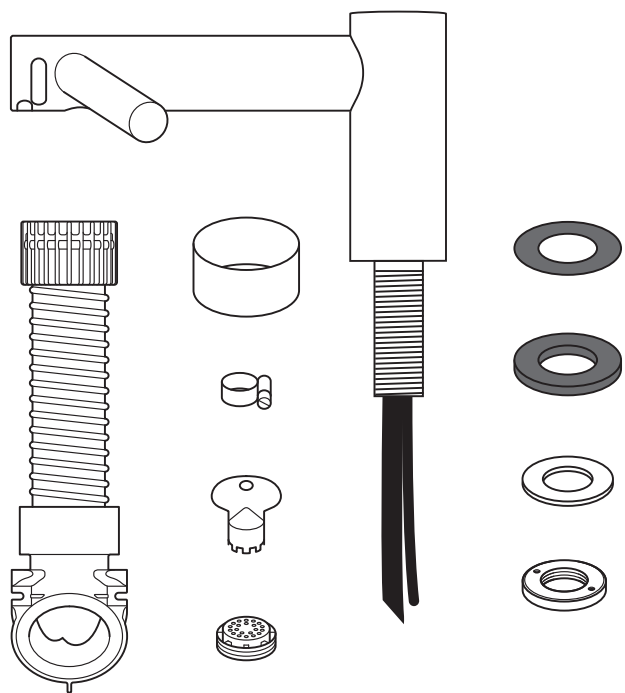
- 检查电源是否与铭牌上所示相符。
- 干手器连接的固定布线必须按布线规则配有全极断开装置(其触点开距提供在过电压等级III条件下全断开)。
- 使用适合的导管和电气配件连接电源。确保导体和电线的长度足以连接到背面板和接线端子。坚固的金属导管不适合侧面接入。
- 最大进水压力800000 帕(8 巴)和最小进水压力100000 帕(1 巴)。
- 拆除软管组件时, 要使用新的软管组件。

警告

拆开部件包装时要小心。可能存在尖锐的边角, 会造成割伤或伤害。

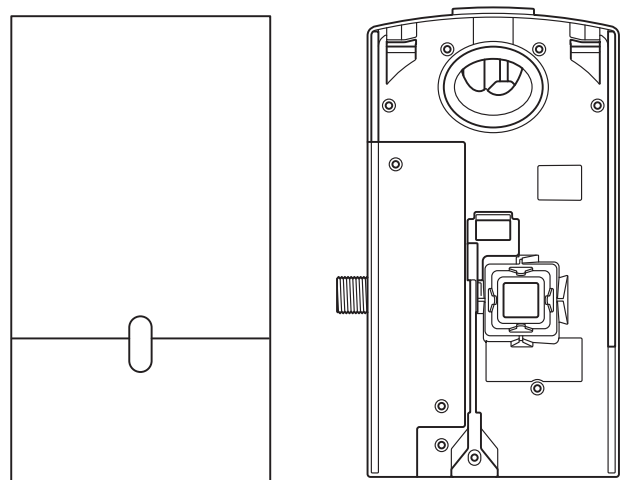
请勿在本设备上或附近使用任何喷射冲洗设备进行清洁。

包装盒内容



所需工具:

- 小型十字螺丝刀
- 7mm 叶片螺丝刀
- 2.5mm 一字螺丝刀
- Torx T15 螺丝刀
- 卷尺和铅笔
- 手钻
- 5mm 合适的钻头
- 钳子/剥线钳
- 小刀
- 可调整的扳手



安装前检查

图 A

预先安装计划

Dyson Airblade Wash+Dry 干手器经过专门设计，电机装置采用壁装式并位于洗脸盆下方（图 A (i)）。

建议安装串联过滤器以防止可能影响您保修的损坏。

- 为安装和维修留出足够的检修空间（参见图 A(ii)）。
- 本设备仅设计用于干燥的室内位置。
- 请参考当地及国家无障碍法规和条例，了解相关安装指南。符合性与合规性是安装人员的职责所在。确保设备使用随附的导管、导管盖和金属外壳进行安装。
- 根据当地布线规定，固定布线中必须包含一种全极断开方法。
- 在安装或维护之前，请断开电源和水源。
- 确保钻孔/安装区域的正后方位位置没有管道（燃气管、水管、通气管）或电缆、电线或下水道。
- 戴森建议如有必要，应在安装/维修时使用防护服、护目镜和其它防护材料。
- 本设备用于永久连接至自来水总管。

用于食物制备区域

对于食品制备环境，要求采取特殊安装方式，其中必须在可清洁的外壳中完全包封电机桶和软管，或者让电机桶位于墙壁反侧，以供足够的间隙便于清洁下方（如适用），并且使装置距离未遮盖的食物或未遮盖食物的接触表面至少 2.5 米。

安装前请参阅 www.dyson.com 上的水槽建议指南。

图 B

水槽规格指导准则

戴森工程师使用专门设计的测试方法，测试了各种水槽，评估它们与 Dyson Airblade Wash+Dry 干手器之间的兼容性。有关推荐的水槽的信息，请参考我们 www.dyson.com 上的指南。

瓷制或拉丝金属水槽较为适用。应当避免使用高度抛光的水槽，例如反光的铬。有关最小水槽尺寸，请参见图 B。

图 C/D/E

水龙头安装

从水槽顶部到水龙头中心应当至少有 100mm、至多 155mm 的距离。图 C。

在水龙头中心和侧壁之间应当至少有 290mm。当并排安装多个水龙头时，水龙头中心至少应当相距 580mm。这样可有足够的空间来安装电机筒钩以及用于用户的充足肩部空间。图 D。

请勿将面朝下的水龙头传感器放置在反光表面（如排水孔）的上方。图 E。

图 F

肥皂以及给皂器安放

为达到最佳用户体验，戴森建议使用胶状肥皂。

用于空气启动的红外感应区域沿着每个水龙头分支延伸。为了防止意外启动，请务必考虑用户双手接触给皂器的路线。

给皂器应当至少在水龙头宽度以外 60 mm 处，从而用户可触碰到分支周围侧边。

它还应当至少在分支上方 60 mm 处，以免激活传感器。

请注意，用户可能从对角方向取皂，因此该路径不得经过感应区域。

图 G/H

水排放

由于高速空气和水很接近，可能会有些水和肥皂分散物落到水槽以外。为减少这种情况，我们建议遵循以下指导准则。

底座轮廓

平坦底座轮廓将导致排放不良，造成防溅挡板的液位较高。为了改善排放，应避免使用平坦底座水槽，并特别注意紧靠排放孔的周边区域，半径至少要有 60 mm。图 G。

和水槽排放孔的边缘至少形成 6° 坡度可以实现良好排放，降低防溅挡板的液位（半径至少为 60 mm）。图 H。

图 I/J/K

底座至背部以及前壁过渡

应当考虑底座至背部以及前壁过渡。后壁应当尽可能接近 90°，半径尽可能小（图 I）。弯曲的几何结构更可能增大防溅挡板（图 J），而倾斜背部和前壁过渡则应当避免（图 K）。

图 L

塞孔

建议使用具有最大开口的塞孔，而格栅或排孔型塞孔则应当避免，因为它们会限制肥皂水（肥皂泡）的排放。请勿在水槽的塞孔内使用塞。

图 M

水温控制

如果连接的是冷热水源，将需要安装混合器阀门。

如果和纯冷水源连接，将需要安装加热器。连接本产品的供水管必须根据当地法规安装一个温度控制装置。

A= 混合器阀门

B= 冷热水源

C= 所需送出温度

D= 隔离阀门

E= 加热器

F= 送入冷水

其他信息

安装

在将设备固定到墙上时，切勿使用密封胶。确保电源以及混合供水管和排水连接均可用于连接。对于电源和水源的适当隔离必须到位，以在安装和维修之前关闭电源和水源。

电气

输入电压/频率：参见铭牌。

根据情况，通过开关保险丝驱动或 RCD 来隔离。

电流 6.6 A。

电缆规格：双芯 PVC + 单芯 PVC（接地）

在安装或维修产品时，必须遵守当地电气规定。

额定功率：参见铭牌。

工作温度范围：0° - 40° C。

待机功耗：

低于 0.5 W。

最大海拔：2,000 米。

水操作

水流速：4 l/min，普通固定通风装置。

1.9 l/m，本产品随附低流速通风装置。

所需水压：1-8 bar。维修时必须使用

1/2" BSP 隔离阀。

让第二热水回流尽可能接近搅拌机阀，以降低滋生军团杆菌的风险。

自动例行冲洗

本设备配备固定的自动冲洗装置，在最后一次使用后24小时激活60秒。这有助于降低产品内死水滞留和细菌滋生。

请确保本设备始终安装在功能运作正常且有通畅排水管道的洗手台上方。

水源洁净度及生物滋长

在某些国家，有规定或指导准则要求温度受控的水源系统（例如使用 Dyson Airblade Wash+Dry 干手器的水源系统）定期进行清洁以最小化任何生物滋长。为了让您符合这些规定，Dyson Airblade Wash+Dry 干手器均经过专门设计和测试，可承受用最高 95° C 的热水进行内部清洁，并且可承受用浓度为0.45%的次氯酸钠进行清洁。

请参阅具体（市场）规定和水源系统建议，了解有关您所在国家/地区水源洁净度和生物滋长清洁制度的信息。

在进行 Dyson Airblade Wash+Dry 干手器的内部清洁时，请注意所有使用热水或化学物质的安全考虑事项。对于该过程引起的任何伤害，戴森概不负责。

误用测试

Dyson Airblade Wash+Dry 干手器经受了严格的误用测试，确保其可承受通常在商业和公共浴室环境可能出现的巨大力量和冲击。

详细步骤

图 1

位置

将水龙头定位在洗脸盆中心的上方 (图 1)。

如果需要, 在工作表面上切割 35 mm 直径的孔。

图 2

水龙头安装

将 1mm 的橡胶密封条滑到龙头杆上 (图 2a)。

在工作面上将龙头杆和随附的水管和通信电缆从孔中穿过。确保 1mm 的橡胶密封条在龙头下方放置得均匀平稳。

确保龙头位于水槽上方的正确位置。

将 3.5mm 的橡胶密封条滑到龙头杆。

将螺钉插入铜锁环并轻轻拧紧, 以将它们固定到位。

将金属垫圈滑到龙头杆。

将黄铜锁紧螺母旋套到龙头杆, 并在金属垫圈和黄铜锁紧螺母之间留出一个小于或等于 5mm 的间隙。

将螺钉穿过黄铜锁紧螺母, 拧入金属垫圈, 直至用手上紧。

A= 1mm 橡胶密封条
B= 水龙头杆
C= 水管
D= 传感器电缆
E= 3.5mm 密封条
F= 金属垫圈
G= 黄铜锁紧螺母
H= 2 颗螺钉

图 3

软管安装

将灰色软管向上滑到水管和传感器电缆上方 (图 3a)。

将水管穿过软管中的左出口孔, 如图 3b 所示。

使用钳子轻轻地在水管尽可能穿到白色实线位置 (图 3c)。

确保水管上的扣环紧密地卡住软管, 使其保持密封 (图 3b)。

将传感器电缆穿过右出口孔, 在您将它送入时轻轻拉动 (图 3b)。切勿使用钳子, 因为这可能损坏电气连接 (图 3c)。确保电缆上的金属环紧密地卡住软管, 使其保持密封 (图 3d)。可将硅脂用于辅助装配。

将上方的软管卡箍拧到水龙头杆上, 以使用手上紧 (图 3e)。

A= 灰色软管
B= 水管
C= 传感器电缆

图 4

准备安装背面板

通过按下底部的红色释放门锁并向上提起, 从背面板拆下电机筒, 如图 4a 所示。将电机筒存放好, 在需要时再取用。

使用梅花头螺丝刀 T15 从背面板上卸下水管罩和电气盒盖 (图 4b 和 4c)。和固定件一起将它们存放好, 在需要时再取用。

图 5

安装背面板和软管

背面板可按以下三种方式的其中一种放置: 垂直, 或 90° 水平向左或向右。与地板的间隙至少应为 100mm (参见图 5a)。

确保背板的位置可轻松连接软管。

请勿倒置电机让软管朝上, 或将其定位在水龙头上方 (参见图 5b)。在墙上标出背面板的位置。

电缆接入

电缆接入时, 可以通过后部电缆接入点从底部或从墙上直接插入设备后方。在开始之前确定好使用哪种方式。

如果选择穿过底座的电缆接入选项, 请用钳子小心地将背面板底座上预标记好的接线面板夹出。将卸下部分的边缘锉平 (图 5c)。

水接入

在背面板的左侧进行水管接头连接。水管接头不能在背板中旋转 (图 5d)。

图 6

背面板安装

如果要直接从墙上将电缆接入背面板中, 在将背面板固定到墙上之前, 将电缆拉出来。

使用适当的配件将背面板固定到墙上

(图 6)。

切勿使用埋头螺钉。

图 7

连接传感器电缆

将灰色软管卡入背面板中。

如图 7 所示, 将软管中的传感器电缆插入背面板中的连接器。检查连接器的方向, 两个凸耳必须对齐。确保电缆在背面板中正确布设。

图 8

连接水管

如图 8a 所示, 按白色虚线将水管切出合适的大小。

将软管夹 (随附) 滑到水管上 (图 8b)。

拆下 2 颗十字螺钉并从背面板松开螺线管 (图 8b)。

将水管连接到螺线管 (图 8c)。

将螺线管重新夹紧在背面板上, 并拧紧 2 颗螺钉 (图 8d)。

紧固软管夹并确保螺线管电缆在保留通道中正确定位。

图 9

连接电源

使用经批准的柔软或坚硬导管以及管接头将电源连接至背面板。确保电源线足够长，从而可连接至安装在背面板中的接线端子。

将线缆接入背面板并紧固电缆密封套。

如图 9 所示，将线缆剥离至适当长度，并将带电和不带电的线固定到相应的接线端子中。在继续之前，确保正确定位线缆。

图 10

重新装配电气盖

固定电气盖并用随附的 6 个紧固件固定，确保没有线打结。

图 11

连接混合供水管

确保在连接到背面板之前，已彻底冲掉供水管中的碎片、铜屑等杂物。不这样做可能会损坏电磁阀，导致无法正常闭合，造成水龙头滴水。

将独立的混合供水管连接到背面板。

打开水源。

在主供水管进水口和水管与水龙头的连接处检查泄漏情况。

同时检查螺线管连接上是否有泄漏。

图 12

打开电源

打开机器电源。

校准周期：一旦安装好，水龙头将经过 30 秒的校准周期。

将手放在水龙头的传感器下方激活水流。

图 12a。

根据图 11 检查是否有泄漏。

使用 2 个固定配件把水管安装在背板上。

图 12b。

图 13

装配电机筒

将电机钩挂至电气盒盖最上方。向下摇动，使它卡入到位，如图所示。稳妥地推进 图 13a。

可选用：提供一枚螺钉，用以固定红色释放按钮，同时防止意外拆下电机桶。

测试设备能否正确运行。

将电机筒固定到背面板（可选）上。

卸下过滤器时，使用螺丝刀轻轻地松开过滤器上的水龙头，如图 13b 所示。

使用随附的固定螺钉，将电机筒固定到背面板上（图 13c）。

重新连接过滤器，确保其卡扣到位（图 13d）。

测试安装

测试干手器是否正常工作:

- 将手放在水龙头中心的下方, 只要手保持在该位置, 水龙头将自动出水。
- 将手置于水龙头中心的任一侧以激活干手器。
- 缓慢地在空气中前后移动您的手。将双手翻转过来, 让手心和手背都能吹到气流。

故障排除

干手器启动失败:

- 检查保险丝/断路器是否正常工作以及电源和水源是否接上。
- 确保清洁帽已拆下, 传感器已清洁且无阻碍。
- 将设备关闭后再打开。

干手器不规律打开和关闭:

- 将设备关闭后再打开。
- 确保水槽中没有塞子, 如有则取出。
- 确保传感器洁净。
- 检查水龙头的传感器电缆是否牢固连接。

干手器有时在使用中会关闭:

- 将设备关闭后再打开。
- 确保传感器洁净。
- 检查空气进口是否洁净没有灰尘。如果空气进口有灰尘, 只需除去灰尘即可。
- 确保空气进口没有阻碍, 具有足够的间隙。

干燥时间延长:

- 检查空气进口处是否有灰尘并除去。
- 如有需要, 检查过滤器并更换。
- 确保软管牢固地连接在水龙头底部, 不存在泄漏。

气流比平常更热:

- 检查空气进口处是否有灰尘并除去。
- 如有需要, 检查过滤器并更换。
- 确保软管牢固地连接在水龙头底部, 不存在泄漏。

空气连续吹出:

- 检查是否有任何物体在水槽中并根据需要去除。
- 确保传感器洁净, 没有任何阻碍。
- 如有需要, 检查过滤器并更换。
- 确保软管牢固地连接在水龙头底部, 不存在泄漏。

没有空气吹出:

- 将设备关闭后再打开。
- 检查保险丝/断路器是否正常工作以及电源是否接上。
- 确保传感器洁净。
- 确保空气软管牢固地连接在水龙头底部, 不存在泄漏。
- 检查水龙头的传感器电缆是否牢固连接。

水龙头不断流出水流:

- 确保传感器洁净, 没有任何阻碍。

水龙头没有水流:

- 确保电源和水源已经开启, 且隔离阀已打开。
- 确保充气器中无尘屑, 如有必要, 除去尘屑并清洁/更换充气器。

水龙头流出的水过热或过冷:

- 检查弯曲阀门是否设置为所需温度。

如需其他支持和信息, 请联系 Dyson 客户关怀部门或在线访问 www.dyson.com

CZ

Obsah

Důležité bezpečnostní pokyny 61 

CZ

Obsah krabice 62

Kontroly před instalací 63

Instalace

Jednotlivé kroky 65

Kontrola funkčnosti 67

Řešení problémů 67

DŮLEŽITÉ BEZPEČNOSTNÍ POKYNY

TYTO POKYNY SI PŘEČTĚTE A USCHOVEJTE

PŘED INSTALACÍ NEBO POUŽITÍM TOHOTO PŘÍSTROJE SI PŘEČTĚTE VEŠKERÉ POKYNY A UPOZORNĚNÍ V TÉTO INSTALAČNÍ PŘÍRUČCE A V NÁVODU K OBSLUZE.

VAROVÁNÍ

VEŠKERÉ INSTALAČNÍ A SERVISNÍ PRÁCE (INSTALATÉRSKÉ A ELEKTRIKÁŘSKÉ) SMÍ PROVÁDĚT POUZE VYŠKOLENÁ OSOBA NEBO SERVISNÍ TECHNIK SPOLEČNOSTI DYSON V SOULADU S PLATNÝMI MÍSTNÍMI NAŘÍZENÍMI A PŘEDPISY.

VAROVÁNÍ

NEBEZPEČÍ ÚRAZU ELEKTRICKÝM PROUDEM!

V PŘÍPADĚ SEJMUTÍ KRYTU NEBO NESPRÁVNÉ MANIPULACE S NÍM MOHOU VNITŘNÍ KOMPONENTY PŘÍSTROJE ZPŮSOBIT ŠKODU NEBO SE MOHOU TRVALE POŠKODIT.

TUTO JEDNOTKU JE NUTNÉ UZEMNIT, ABY SE OMEZILO NEBEZPEČÍ POŽÁRU, ÚRAZU ELEKTRICKÝM PROUDEM NEBO PORANĚNÍ OSOB. DODRŽUJTE NÁSLEDUJÍCÍ POKYNY:

Před zahájením montáže musíte zkontrolovat následující položky:

- Zkontrolujte, zda přívod proudu odpovídá údajům uvedeným na výkonnostním štítku.

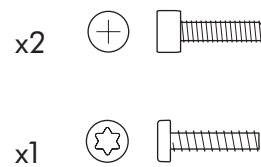
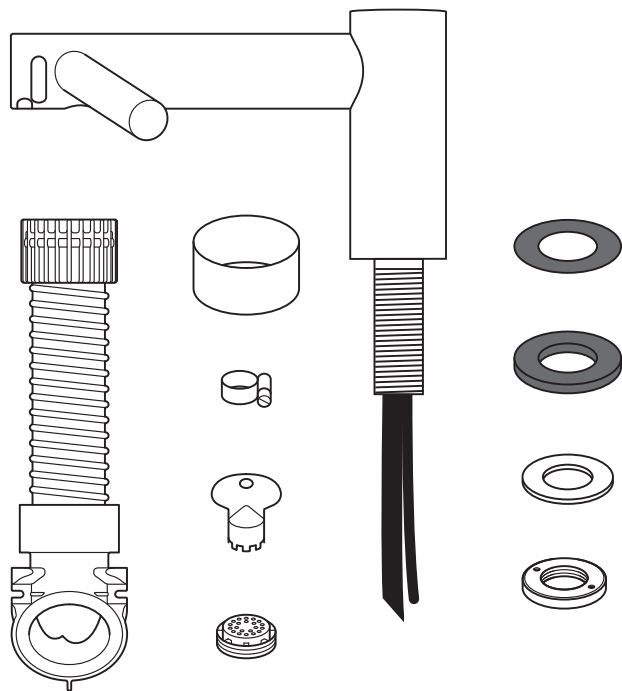
- Do pevné elektrické instalace musí být zařazen prostředek pro odpojení všech pólů v souladu s místními předpisy pro elektrické instalace.
- Připojte přívod proudu pomocí vhodné trubky a elektrického příslušenství. Tato trubka a vodiče musí být dostatečně dlouhé, aby je bylo možné připojit k zadní desce a svorkovnici. Pro boční vstup není vhodná pevná kovová trubka.

VAROVÁNÍ

Při vybalování součástí postupujte opatrně. Dávejte pozor na případné ostré hrany nebo rohy, abyste se neporanili.

K ČIŠTĚNÍ TOHOTO PŘÍSTROJE NEBO JEHO OKOLÍ NEPOUŽÍVEJTE ŽÁDNÉ ZAŘÍZENÍ NA MYTÍ TLAKOVOU VODOU.

Obsah krabice



Požadované nářadí:

Malý křížový šroubovák

Plochý šroubovák 7 mm

Plochý šroubovák 2,5 mm

Šroubovák Torx T15

Svinovací metr a tužka

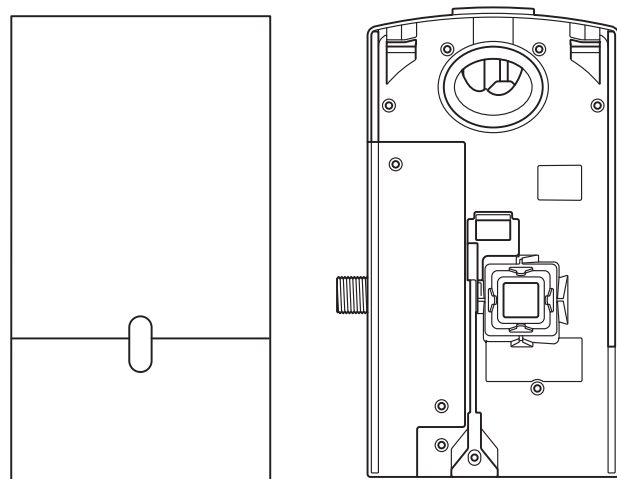
Ruční vrtačka

Vhodný vrták

Kombinované kleště a kleště na stahování izolace

Nůž

Stavitelný (francouzský) klíč



Kontroly před instalací

Obr. A

Plánování před instalací

Osoušeč rukou Airblade Wash+Dry společnosti Dyson je navržen tak, že je jednotka motoru umístěna na stěnu pod umyvadlem, viz **obr. A(i)**.

Aby se zabránilo poškození, které by mohlo mít vliv na vaši záruku, doporučujeme osadit filtr na přívodu vody.

- Ponechte dostatečný prostor pro přístup při instalaci a údržbě, viz **obr. A(ii)**.
- Zařízení je určeno pouze pro suché vnitřní prostory.
- Příslušné pokyny k instalaci naleznete v platných místních a národních nařízeních a předpisech pro dostupnost. Za shodu s předpisy a jejich dodržování zodpovídají osoby provádějící instalaci. Zajistěte, aby montáž přístroje odpovídala všem místním stavebním předpisům.
- Do pevné elektrické instalace musí být zařazen prostředek pro odpojení všech pólů v souladu s místními předpisy pro elektrické instalace.
- Před montáží nebo údržbou odpojte přívod elektrického proudu a vody.
- Zkontrolujte, zda se přímo za místem vrtání a montáže nenachází potrubí (plyn, voda, vzduch), elektrické kabely, dráty nebo kabelové trubky.
- Společnost Dyson doporučuje, abyste při instalaci nebo opravách používali vhodný ochranný oděv, ochranu očí a ochranné materiály.
- Tento přístroj má být trvale připojen k vodovodnímu potrubí.

Použití v prostorách pro přípravu potravin

V prostředí pro přípravu potravin je požadována speciální instalace, při které se musí plášť motoru a hadice zcela uzavřít do čistitelného krytu, nebo je třeba plášť motoru umístit na opačnou stranu zdi, aby byl pod přístrojem dostatečný prostor pro mytí (v případě potřeby), a instalace musí být provedena tak, aby byl přístroj umístěn alespoň 2,5 m od nekrytých potravin nebo nekrytých povrchů, které jsou ve styku s potravinami.

Před instalací si projděte průvodce doporučenými umyvadly na stránkách www.dyson.com.

Obr. B

Pokyny ke specifikacím umyvadel

Technici společnosti Dyson otestovali speciálně vyvinutou zkušební metodou široký sortiment umyvadel, aby vyhodnotili jejich vhodnost pro osoušeč rukou Dyson Airblade Wash+Dry. Doporučená umyvadla naleznete pomocí našeho průvodce na adrese www.dyson.com.

Ideální jsou umyvadla z porcelánu nebo kartáčovaného kovu. Nepoužívejte umyvadla s velmi lesklým povrchem, např. se zrcadlovým chromováním. Minimální rozměry umyvadla naleznete na **obr. B**.

Obr. C/D/E

Montáž kohoutku

Vzdálenost středu kohoutku od horního okraje umyvadla musí být minimálně 100 mm a maximálně 155 mm (**obr. C**).

Vzdálenost středu kohoutku od boční stěny musí být alespoň 290 mm. Při instalaci více kohoutků vedle sebe musí mít jejich středy vzdálenost alespoň 580 mm. Pak je k dispozici dostatek místa pro instalaci pláště motoru a ve výši ramen uživatelů (**obr. D**).

Neumísťujte vodní senzor kohoutku směřující dolů nad povrch, který odráží světlo, jako je například vypouštěcí otvor (**obr. E**).

Obr. F

Mýdlo a umístění dávkovače mýdla

Společnost Dyson doporučuje jako nevhodnější pro uživatele gelová mýdla.

Zóna snímání infračerveného světla pro aktivaci vzduchu vede podél obou ramen kohoutku. Aby nedocházelo k neúmyslné aktivaci, je důležité počítat s pohybem rukou uživatele směrem k dávkovači mýdla.

Dávkovač se musí nacházet alespoň 60 mm mimo šířku kohoutku, aby uživatel vztahoval ruku kolem ramene.

Musí být také alespoň 60 mm nad rameny, aby se neaktivovaly senzory.

Pamatujte, že uživatel může vztahovat ruku k mýdlu po úhlopříčce, takže tento pohyb nesmí vést zónou snímání.

Obr. G/H

Odtok vody

V důsledku vysoké rychlosti vzduchu a přítomnosti vody v těsné blízkosti je možné, že se určité množství vody a mýdla rozstříkne mimo rozměry umyvadla. Aby se tato nepříjemnost zmírnila, doporučujeme, abyste se řídili níže uvedenými pokyny.

Profil dna

Plochý profil dna špatně odvádí vodu, což má za následek značné rozstříkávání. Aby byl odtok dostatečný, nepoužívejte umyvadla s plochým profilem dna, což se týká hlavně plochy bezprostředně obklopující odtokový otvor, tedy plochy o poloměru minimálně 60 mm (**obr. G**).

Dostatečné odvádění vody a méně rozstříkávání umožní přechodový úhel alespoň 6° od okraje odtokového otvoru umyvadla (minimální poloměr 60 mm), viz **obr. H**.

Obr. I/J/K

Přechod ode dna k zadní a přední stěně

Je nutné počítat i s přechodem ode dna k zadní a přední stěně. Zadní stěna musí být v úhlu co nejbližším 90° a poloměr přechodu mezi ní a dnem musí být co nejmenší, viz **obr. I**. Zakřivená geometrie může způsobovat větší rozstřík, viz **obr. J**, přičemž je nutné se vyhnout šikmým přechodům zadní a přední stěny, viz **obr. K**.

Obr. L

Výpustný otvor

Doporučujeme výpustné otvory s co nejotevřenějším ústím, otvory s mřížkou nebo perforací jsou nevhodné, protože omezují odtok mýdlové vody (pěny). U výpustných otvorů v umyvadlech nepoužívejte zátky.

Obr. M

Regulace teploty vody

Pokud připojujete přístroj k přívodu teplé a studené vody, musíte nainstalovat směšovací ventil.

Pokud připojujete přístroj pouze k přívodu studené vody, bude nutné nainstalovat ohřívač.

Přívod vody do tohoto výrobku musí být vybaven zařízením pro regulaci teploty podle místních předpisů.

A= Směšovací ventil

B= Přívod teplé a studené vody

C= Výstup s požadovanou teplotou

D= Uzavírací ventil

E= Ohřívač

F= Přívod studené vody

Další informace

Instalace

Při upevňování přístroje na stěnu nepoužívejte tmel. Zajistěte, aby byly při připojení k dispozici přívod elektrického proudu, přívod smíšené vody a odtok. Musí se použít vhodný prostředek pro vypínání přívodu elektrického proudu a vody, aby bylo možné tyto přívody přerušit před instalací a v případě údržby.

Elektroinstalace

Vstupní napětí / frekvence: viz údaje na výkonostním štítku.
Odpojení podle potřeby vypínací pojistkou nebo proudovým chráničem.
Proud 6,6 A.

Specifikace kabelů: dvoužilový – PVC a jednožilový – PVC (uzemnění)
Při instalaci nebo opravách výrobku je nutné dodržovat místní předpisy pro elektroinstalace.

Jmenovitý příkon: viz údaje na výkonostním štítku.

Rozsah provozních teplot: 0 °C – 40 °C.

Příkon v pohotovostním režimu: méně než 0,5 W.

Maximální nadmořská výška: 2 000 metrů.

Voda

Průtočné množství vody: 4 l/min s použitím běžného perlátoru, 1,9 l/min s perlátorem s nízkým průtokem dodaným spolu s výrobkem.

Požadovaný tlak vody: 1–8 bar. Pro účely servisu je zapotřebí uzavírací ventil 1/2" BSP. Sekundární vratné vedení teplé vody musí být co nejbližší směšovacího ventilu, aby se omezilo riziko množení bakterie legionella.

Automatické proplachování

Výrobek je vybaven funkcí automatického proplachování vodou, jež se aktivuje 24 hodin po posledním použití. Doba proplachování činí 60 sekund. Díky tomu nedochází ke stání vody a množení bakterií.

Ujistěte se, že výrobek je nainstalovaný nad fungujícím umyvadlem s připojeným a průchozím odtokem vody.

Čistota vody a výskyt mikroorganismů

V některých zemích platí předpisy nebo pokyny, které vyžadují pravidelné čištění systémů dodávky vody s regulovanou teplotou (jako je voda přiváděná do osoušeče rukou Airblade Wash+Dry společnosti Dyson), aby se minimalizoval výskyt mikroorganismů. V zájmu dodržování těchto předpisů se osoušeč rukou Airblade Wash+Dry společnosti Dyson konstruuje a testuje tak, aby snesl čištění vnitřku horkou vodou do 95 °C a chlornanem sodným s koncentrací 0,45 %.

Informace o režimech čištění, čistotě dodávané vody a výskytu mikroorganismů naleznete v konkrétních předpisech pro daný trh a doporučeních pro vodovodní síť ve vaší zemi.

Při vnitřním čištění osoušeče rukou Airblade Wash+Dry společnosti Dyson dodržujte bezpečnostní zásady pro použití horké vody a chemikálií. Společnost Dyson nenesе žádnou zodpovědnost za případné úrazy způsobené tímto postupem.

Testování odolnosti vůči hrubému zacházení

Osoušeč rukou Airblade Wash+Dry společnosti Dyson podstupuje přísné testy odolnosti vůči hrubému zacházení, aby bylo zajištěno, že odolá značným silám a nárazům obvyklým v prostředí komerčních a veřejných sociálních zařízení.

Jednotlivé kroky

Obr. 1

Umístění

Umístěte kohoutek nad střed umyvadla, viz obr. 1.

Vyřízněte v případě potřeby v pracovní ploše otvor o průměru 35 mm.

Obr. 2

Instalace kohoutku

Nasuňte na stopku kohoutku pryžové těsnění šířky 1 mm, viz obr. 2a.

Protáhněte stopku kohoutku a připojenou vodovodní trubku a také komunikační kabel skrz otvor v pracovní ploše. Ujistěte se, že je pryžové těsnění šířky 1 mm usazeno pod kohoutkem rovnoměrně a na plocho.

Ujistěte se, že je kohoutek nad umyvadlem ve správné poloze.

Nasuňte na stopku kohoutku pryžové těsnění šířky 3,5 mm.

Zasuňte šrouby do mosazného pojistného kroužku a lehce je utáhněte, aby držely na svém místě.

Nasuňte na stopku kohoutku kovovou podložku.

Našroubujte na stopku kohoutku mosaznou pojistnou matici a mezi kovovou podložkou a mosaznou pojistnou maticí ponechejte vůli max. 5 mm.

Pomocí mosazné pojistné matice rukou utahujte šrouby ke kovové podložce, dokud nebudou utaženy.

A= pryžové těsnění šířky 1 mm
B= stopka kohoutku
C= vodovodní trubka
D= kabel senzoru
E= těsnění šířky 3,5 mm
F= kovová podložka
G= mosazná pojistná matice
H= 2× šroub

Obr. 3

Instalace hadice

Na vodovodní trubku a kabel senzoru navlékněte šedou hadici, viz obr. 3a.

Protáhněte vodovodní trubku levým výstupním otvorem ve vedení hadice, viz obr. 3b.

Pomocí kleští opatrně protáhněte vodovodní trubku až po plnou bílou čáru, viz obr. 3c.

Aby bylo spojení vzduchotěsné, musí průchodka na vodovodní trubce těsně doléhat na vedení hadice, viz obr. 3b.

Kabel senzoru protáhněte mírným tahem pravým výstupním otvorem, viz obr. 3b. **NEPOUŽÍVEJTE** kleště, protože by mohlo dojít k poškození elektrických spojů, viz obr. 3c. Aby bylo spojení vzduchotěsné, musí průchodka na vodovodní trubce těsně doléhat na vedení hadice, viz obr. 3d. Pro snadnější montáž můžete použít silikonové mazivo.

Našroubujte na stopku kohoutku horní límec hadice a silně ho utáhněte rukou, viz obr. 3e.

A= šedá hadice
B= vodovodní trubka
C= kabel senzoru

Obr. 4

Příprava instalace zadní desky

Sejměte plášť motoru ze zadní desky tak, že stisknete červenou uvolňovací západku dole a zvednete plášť, viz obr. 4a. Plášť motoru uchovávejte na bezpečném místě, dokud ho nebudete potřebovat.

Pomocí šroubováku Torx T15 sejměte ze zadní desky kryt vodovodní trubky a kryt elektrické instalace, viz obr. 4b a 4c. Uchovávejte je na bezpečném místě, dokud je nebudete potřebovat.

Obr. 5

Plánování montáže zadní desky

Zadní desku můžete umístit třemi způsoby: svisle nebo vodorovně pod úhlem 90° vlevo nebo vpravo. Vzdálenost od podlahy musí být alespoň 100 mm, viz obr. 5a.

Ujistěte se, že je zadní deska umístěna tak, aby mohla být snadno připevněna hadice. **NEUMISŤUJTE** motor obráceně s hadicí směrem dolů, ani ho neumisťujte nad kohoutkem, viz obr. 5b.

Vyznačte si polohu zadní desky na stěně tužkou.

Přívod kabelů

Kabely můžete přivést buď zespodu, nebo ze zdi přímo do zadní části jednotky skrz zadní otvor pro přívod kabelů. Než začnete, rozmyslete si, který způsob použijete. Chcete-li kabel vést zespodu, opatrně kleštěmi odštipněte vyznačený vylamovací díl na spodní části zadní desky. Vyhladte hrany vylomené části pilníkem, viz obr. 5c.

Přívod vody

Připojení vody se provádí na levé straně zadní desky. Připojení vody nelze v zadní desce otáčet, viz obr. 5d.

Obr. 6

Instalace zadní desky

Pokud mají být kabely přivedeny přímo do zadní desky ze zdi, protáhněte elektrický kabel před upevněním zadní desky ke zdi.

Upevněte zadní desku ke zdi pomocí vhodných upevňovacích prvků, viz obr. 6.

Nepoužívejte zápusťné šrouby.

Obr. 7

Připojení kabelu senzoru

Přichyťte hadici k zadní desce.

Zasuňte kabel senzoru v hadici do konektoru v zadní desce, viz obr. 7. Zkontrolujte orientaci konektoru – dvojice příchytěk musí být v jedné rovině. Ujistěte se, že je kabel v zadní desce veden správně.

Obr. 8

Připojení vodovodní trubky

Odřízněte vodovodní trubku na délku vyznačenou tečkovanou bílou čarou, viz [obr. 8a](#).

Nasuňte na vodovodní trubku hadicovou sponu (je součástí dodávky), viz [obr. 8b](#).

Vyšroubujte 2 šrouby s křížovou drážkou a sejměte ze zadní desky solenoid, viz [obr. 8b](#).

Připojte k solenoidu vodovodní trubku, viz [obr. 8b](#).

Přípevněte solenoid zpět k zadní desce a utáhněte 2 šrouby, viz [obr. 8b](#).

Utáhněte hadicovou sponu a přesvědčte se, že je kabel solenoidu správně umístěn v upevňovacím U-profilu.

Obr. 9

Připojení přívodu elektrického proudu

Přívod elektrického napětí ved'te k zadní desce pomocí schválené ohebné nebo pevné trubky a armatur. Napájecí kabel musí být dostatečně dlouhý, aby se mohl připojit ke svorkovnici na zadní desce.

Ved'te kabel do zadní desky a utáhněte kabelovou spojku.

Odizolujte přiměřeně dlouhý úsek kabelu a zapojte živý a nulový vodič do odpovídajících [obr. 9](#). Před pokračováním zajistěte správné umístění kabelů.

Obr. 10

Montáž krytu elektrické instalace

Nasad'te kryt elektrické instalace a připevněte jej 6 dodanými upevňovacími prvky tak, abyste nezachytili žádný vodič.

Obr. 11

Připojení přívodu smíšené vody

POZNÁMKA: Před připojením k zadní desce je nutné důkladně propláchnout přívod vody, aby se zbavil sutě, měděných pilin atd. Nesplnění tohoto pokynu může vést k poškození elektromagnetického ventilu.

Připojte odpojený přívod smíšené vody k zadní desce.

Pusťte vodu.

Zkontrolujte těsnost u hlavního přívodu vody a připojení vodovodní trubky ke kohoutku.

Zkontrolujte také těsnost připojení solenoidu.

Obr. 12

Zapnutí napájení

Zapněte napájení přístroje.

KALIBRAČNÍ CYKLUS: Kohoutek projde po instalaci kalibračním cyklem dlouhým 30 sekund.

Dejte ruku pod senzor na kohoutku, abyste pustili proud vody. Viz [obr. 12a](#).

Zkontrolujte těsnost podle [obr. 11](#).

Na zadní desku připevněte dvěma dodanými upevňovacími prvky kryt vodovodní trubky podle [obr. 12b](#).

Obr. 13

Nasazení pláště motoru

Přichyťte motor k horní části krytu elektrické instalace. Sklopte jej dolů, aby zapadl na místo podle obrázku. Silně na něj zatlačte podle [obr. 13a](#).

VOLITELNÉ: Šroub se dodává za účelem zajištění červeného uvolňovacího tlačítka a zabránění nechtěnému vyjmutí pláště motoru. Zkontrolujte správnou funkci jednotky.

Upevnění pláště motoru k zadní desce (volitelně).

Opatrně uvolněte šroubovákem výstupek na filtru a vyjměte filtr, viz [obr. 13b](#).

Plášť motoru upevníte k zadní desce pomocí dodaného bezpečnostního šroubu, viz [obr. 13c](#).

Znovu připojte filtr a ujistěte se, že zapadl na místo, viz [obr. 13d](#).

Kontrola funkčnosti

Vyzkoušejte běžnou funkci osoušeče rukou:

- Umístěte ruce pod střed kohoutku a voda poteče automaticky tak dlouho, dokud ruce zůstanou na místě.
- Umístěte ruce po obou stranách od středu kohoutku, aby se aktivoval osoušeč rukou a vytvářel tenké proudy vzduchu, které z rukou stírají vodu.
- Pohybujte rukama pomalu dozadu a dopředu proudem vzduchu. Obracejte ruce, abyste vystavili proudění vzduchu hřbety i dlaně.

Řešení problémů

Osoušeč rukou se nespustí:

- Zkontrolujte funkčnost pojistky nebo elektrického jističe a připojení dodávky elektřiny a vody.
- Přesvědčte se, že je sejmuta ochranná krytka na čištění a že jsou senzory čisté a nezakryté.
- Vypněte a zapněte přístroj.

Osoušeč rukou se nepravidelně zapíná a vypíná:

- Vypněte a zapněte přístroj.
- V umyvadle nesmí být zátka. Pokud tam je, odstraňte ji.
- Zkontrolujte čistotu senzorů.
- Zkontrolujte, zda je spolehlivě připojen kabel senzoru z kohoutku.

Osoušeč rukou se při použití občas vypne:

- Vypněte a zapněte přístroj.
- Zkontrolujte čistotu senzorů.
- Zkontrolujte, zda jsou přívody vzduchu čisté a nezaprášené. Pokud jsou přívody vzduchu zaprášené, vyčistěte je.
- Přesvědčte se, že se v přívodech vzduchu nenacházejí žádné cizí předměty a že je kolem nich dostatek místa.

Prodloužila se doba sušení:

- Zkontrolujte přívody vzduchu, a pokud je v nich prach, odstraňte jej.
- Zkontrolujte a v případě nutnosti vyměňte filtr.
- Přesvědčte se, že je hadice spolehlivě připojena k základně kohoutku a nedochází k únikům.

Proud vzduchu je teplejší než obvykle:

- Zkontrolujte přívody vzduchu, a pokud je v nich prach, odstraňte jej.
- Zkontrolujte a v případě nutnosti vyměňte filtr.
- Přesvědčte se, že je hadice spolehlivě připojena k základně kohoutku a nedochází k únikům.

Vzduch proudí neustále:

- Zkontrolujte, zda se v umyvadle nevyskytují cizí předměty. Pokud je tomu tak, odstraňte je.
- Přesvědčte se, že jsou senzory čisté a nic je nezakrývá.
- Zkontrolujte a v případě nutnosti vyměňte filtr.
- Přesvědčte se, že je hadice spolehlivě připojena k základně kohoutku a nedochází k únikům.

Neproudí žádný vzduch:

- Vypněte a zapněte přístroj.
- Zkontrolujte funkčnost pojistky nebo elektrického jističe a připojení elektrického proudu.
- Zkontrolujte čistotu senzorů.
- Přesvědčte se, že je vzduchová hadice spolehlivě připojena k základně kohoutku a nedochází k únikům.
- Zkontrolujte, zda je spolehlivě připojen kabel senzoru z kohoutku.

Z kohoutku neustále teče voda:

- Přesvědčte se, že jsou senzory čisté a nic je nezakrývá.

Z kohoutku neteče voda:

- Přesvědčte se, že je zapnuto napájení a přívod vody a že je otevřený uzavírací ventil.
- Zkontrolujte, zda nejsou nečistoty v perlátoru, sejměte jej a podle potřeby jej vyčistěte nebo vyměňte.

Voda z kohoutku je příliš horká nebo studená:

- Zjistěte, zda je směšovací ventil nastaven na požadovanou teplotu.
- Pokud budete potřebovat další pomoc a informace, kontaktujte zákaznickou linku společnosti Dyson nebo navštivte stránky www.dyson.com.

DE/AT/CH/LU

Inhalt

Wichtige Sicherheitshinweise 69 

Lieferumfang 70

Überprüfungen vor der Montage 71

Montage

Schritt für Schritt 73

Funktionstest 75

Fehlerbehebung 75

DE
AT
CH
LU

WICHTIGE SICHERHEITSHINWEISE

LESEN SIE DIESE ANWEISUNGEN UND BEWAHREN SIE SIE AUF.

**LESEN SIE VOR DER MONTAGE BZW. BENUTZUNG DIESES
GERÄTS ZUNÄCHST ALLE ANWEISUNGEN UND WARNHINWEISE
IN DER VORLIEGENDEN MONTAGEANLEITUNG UND IN
DER BEDIENUNGSANLEITUNG.**

ACHTUNG

ALLE MONTAGE- UND REPARATURARBEITEN (KLEMPNERARBEITEN UND VERKABELUNG) MÜSSEN VON EINER QUALIFIZIERTEN PERSON ODER EINEM SERVICETECHNIKER VON DYSON IN ÜBEREINSTIMMUNG MIT DEN LOKALEN VORSCHRIFTEN UND REGELUNGEN DURCHGEFÜHRT WERDEN.

ACHTUNG

STROMSCHLAGGEFAHR!

WENN DAS GEHÄUSE ABGENOMMEN ODER FALSCH BEHANDELT WIRD, KÖNNEN DIE INTERNEN KOMPONENTEN DES GERÄTS VERLETZUNGEN VERURSACHEN ODER DAUERHAFT BESCHÄDIGT WERDEN.

DIESES GERÄT MUSS GEERDET WERDEN, UM DIE GEFAHR VON BRÄNDEN, STROMSCHLÄGEN ODER VERLETZUNGEN SO GERING WIE MÖGLICH ZU HALTEN.

Bevor Sie mit der Montage beginnen, müssen Sie Folgendes sicherstellen.

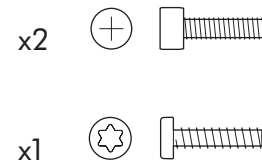
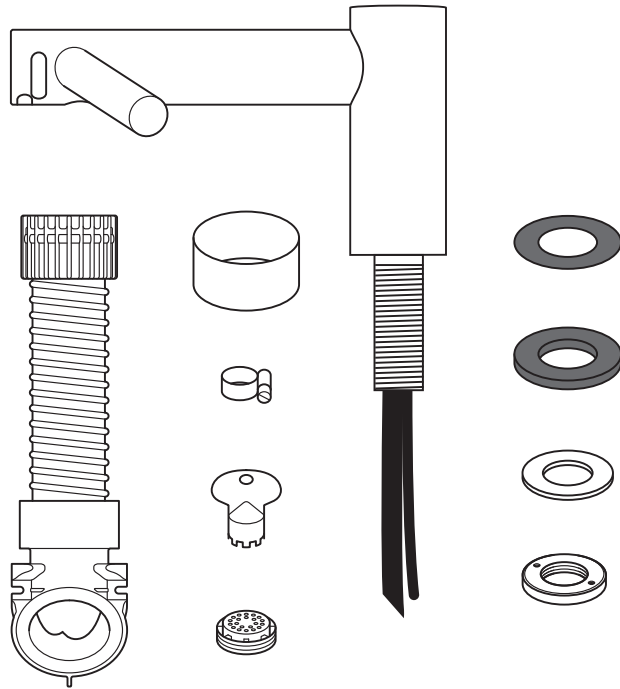
- Prüfen Sie, ob die Stromversorgung der auf dem Typenschild angezeigten Stromversorgung entspricht.
- In der Festverdrahtung muss in Übereinstimmung mit den entsprechenden Verkabelungsrichtlinien eine Vorrichtung zum allpoligen Abschalten integriert werden.
- Schließen Sie die Einheit mithilfe des passenden Kabelrohrs und der elektrischen Anschlüsse an die Stromversorgung an. Vergewissern Sie sich, dass das Kabelrohr und die Kabel für den Anschluss an die Rückwand und die Klemmleiste lang genug sind. Kabelrohre aus Metall eignen sich nicht für die seitliche Einführung.

ACHTUNG

Packen Sie die einzelnen Komponenten vorsichtig aus. Es kann scharfe Kanten bzw. Ecken geben, an denen Sie sich schneiden oder anderweitig verletzen können.

**VERWENDEN SIE KEINE HOCHDRUCKREINIGER AN DIESEM
GERÄT ODER IN SEINER UNMITTELBAREN UMGEBUNG.**

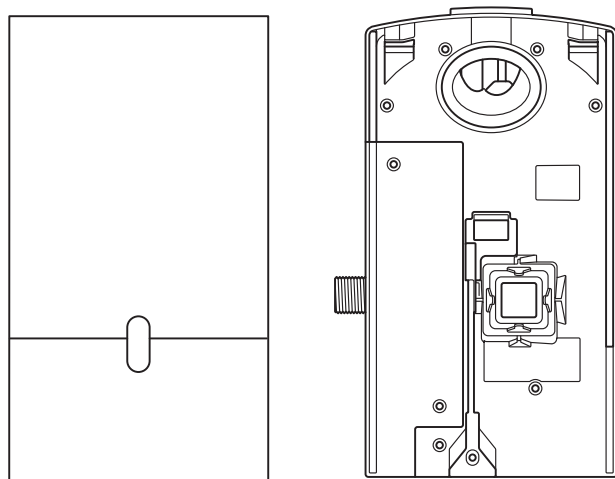
Lieferumfang



Erforderliches Werkzeug:

- Kleiner Kreuzschlitzschraubendreher
- 7 mm Schlitz-Schraubendreher
- 2,5-mm-Schlitzschraubendreher
- Schraubendreher Torx T15
- Maßband und Stift
- Handbohrmaschine
- Passende Bohrspitze
- Zange / Abisolierzange
- Messer
- Rollgabelschlüssel

DE
AT
CH
LU



Überprüfungen vor der Montage

Abb. A

Planung vor der Montage

Der Dyson Airblade Wash+Dry Händetrockner ist so konzipiert, dass die Motoreinheit in der Wand und unter dem Becken montiert wird (Abb. A(i)).

Der Einsatz eines Leitungsfilters wird zur Vermeidung von Beschädigungen empfohlen, die sich auf die Garantie auswirken können.

- Lassen Sie ausreichend Raum für Montage und Wartung (Abb. A(ii)).
- Das Gerät eignet sich ausschließlich für einen trockenen Innenbereich.
- Entsprechende Montagerichtlinien finden Sie in den lokalen und nationalen Vorschriften zur Barrierefreiheit. Konformität und Übereinstimmung obliegen der Verantwortung des Monteurs. Stellen Sie sicher, dass das Gerät in Übereinstimmung mit allen Bauvorschriften und -ordnungen montiert wird.
- In der Festverdrahtung muss in Übereinstimmung mit den entsprechenden Verkabelungsrichtlinien eine Vorrichtung zum allpoligen Abschalten integriert werden.
- Trennen Sie die Strom- und Wasserversorgung vor der Montage bzw. Wartung.
- Stellen Sie sicher, dass direkt hinter dem Bohr- bzw. Montagebereich keine Rohre (Gas, Wasser, Luft) oder elektrischen Kabel, Drähte oder Rohrleitungen verlaufen.

- Dyson empfiehlt für Montage- und Reparaturarbeiten den Einsatz von Schutzkleidung, Augenschutz und Schutzmaterial, falls erforderlich.
- Das Gerät ist für einen dauerhaften Anschluss an die Wasserleitung geeignet.

Einsatz in Bereichen, in denen Lebensmittel zubereitet werden

Bei Einsatz in Umgebungen für die Lebensmittelzubereitung ist eine spezielle Installation erforderlich. Dazu müssen sich der Motorbehälter und der Schlauch vollständig in einem reinigungsfähigen Gehäuse befinden oder der Motorbehälter an der Rückseite einer Wand angebracht sein. Es muss genug Platz für die Reinigung unter dem Behälter vorhanden sein. Das Gerät muss so installiert sein, dass es sich mindestens 2,5 m von freiliegenden Lebensmitteln oder Flächen entfernt befindet, die mit freiliegenden Lebensmitteln in Kontakt stehen.

Siehe Waschbeckenempfehlungen auf www.dyson.com vor der Montage.

Abb. B

Waschbeckenvorgaben

Dyson Ingenieure haben eine Reihe von Waschbecken in einem speziellen Prüfverfahren auf ihre Kompatibilität mit dem Dyson Airblade Wash+Dry Händetrockner getestet. Waschbeckenempfehlungen finden Sie unter www.dyson.com.

Es werden Waschbecken aus Porzellan oder gebürstetem Metall empfohlen. Waschbecken mit hochglänzenden Oberflächen wie poliertem Chrom sollten nicht verwendet werden.

Siehe Abb. B für Mindestmaße des Waschbeckens.

Abb. C/D/E

Wasserhahn-Montage

Der Mindestabstand zwischen der Oberkante des Waschbeckens und der Wasserhahnmitte sollte 100 mm betragen, der Maximalabstand 155 mm. Abb. C.

Der Mindestabstand zwischen der Wasserhahnmitte und der seitlichen Wand wenn vorhanden sollte 290 mm betragen. Bei der Montage mehrerer Wasserhähne nebeneinander sollten die Mitten der Wasserhähne einen Mindestabstand von 580 mm aufweisen. Dadurch ist ausreichend Platz für die Montage der Motoreinheit gewährleistet sowie genügend Schulterfreiheit für die Wash+Dry Benutzer. Abb. D.

Platzieren Sie den nach unten gerichteten Sensor des Wasserhahns nicht über einer reflektierenden Oberfläche wie dem Abflussloch. Abb. E.

Abb. F

Seife und Befestigung des Seifenspenders

Um dem Benutzer das bestmögliche Erlebnis zu bieten, empfiehlt Dyson den Einsatz von Gelseife.

Der Infrarotsensorbereich für die Luftaktivierung verläuft längs der seitlichen Arme. Daher ist der Weg der Hand zum Seifenspender sehr wichtig, um eine unnötige Aktivierung zu verhindern.

Der Seifenspender sollte mindestens 60 mm vom Wasserhahn entfernt sein. So kann der Benutzer ihn erreichen, ohne die seitlichen Arme zu berühren.

Der Seifenspender sollte mindestens 60 mm oberhalb der seitlichen Armen platziert sein, damit die Sensoren nicht aktiviert werden.

Es ist auch zu bedenken, dass der Benutzer diagonal nach der Seife greifen könnte. Dieser Weg sollte daher nicht durch den Sensorbereich führen.

Abb. G/H

Wasserablauf

Der Wasserauslass und der Hochgeschwindigkeitsluftstrom liegen nah beieinander. Daher kann es vorkommen, dass geringe Mengen Wasser und Seife außerhalb des Waschbeckens gelangen können. Um diesen Effekt zu vermeiden, finden Sie unten einige Empfehlungen.

Grundprofil

Ein sehr flaches Grundprofil führt zu einem schlechteren Abfließen des Wassers und erhöht somit die Wahrscheinlichkeit der Wasserverteilung. Um das Abfließen des Wassers zu erleichtern, sollte ein Waschbecken verwendet werden, das in unmittelbarer Umgebung des Abflusses kein flaches Grundprofil aufweist. Der Radius des Waschbeckengefälles sollte mindestens 60 mm betragen. Abb. G.

Das Gefälle vom Rand des Waschbeckens zum Ablauf sollte mindestens 6° aufweisen. Ein solches Gefälle sorgt für ein gutes Abfließen des Wassers und reduziert die Wahrscheinlichkeit der Wasserverteilung. Der Radius sollte mindestens 60 mm betragen. Abb. H.

Abb. I/J/K

Übergang vom Boden des Waschbeckens zu Vorder- und Rückwand

Der Übergang vom Boden des Waschbeckens zu Vorder- und Rückwand sollte berücksichtigt werden. Die Rückwand sollte einen Winkel aufweisen, der so nah wie möglich an 90° heranreicht **Abb. I**. Geschwungene Formen erhöhen die Wasserverteilung **Abb. J**. Schräge Übergänge von Vorder- und Rückseite zum Boden des Waschbeckens sollten vermieden werden **Abb. K**.

Abb. L

Abflussöffnung

Abflussöffnungen mit Gitter oder Löchern sollten nicht verwendet werden, da sie das Abfließen von Seifenwasser (Seifenschaum) einschränken. Verwenden Sie keine Stopfen in den Waschbecken.

Abb. M

Wassertemperaturregulierung

Sollte die Zufuhr von warmem Wasser gewünscht sein, muss ein druckfester Durchlauferhitzer installiert werden. Die Wasserzufuhr zu diesem Produkt muss gemäß den entsprechenden nationalen Bestimmungen mit einem Temperaturkontrollgerät ausgestattet sein.

- A= Mischventil
- B= Warm- und Kaltwasser
- C= Gewünschte Temperatur
- D= Absperrventil
- E= Erhitzer
- F= Kaltwasser

Weitere Informationen

Montage

Verwenden Sie keine Dichtungsmittel, wenn Sie die Einheit an der Wand befestigen. Stellen Sie sicher, dass die Anschlüsse für Kalt- und Warmwasser und für den Ablauf zum Anschluss bereit sind. Eine angemessene Trennung der Strom- und Wasserversorgung muss vorhanden sein, um die Versorgung vor der Montage und für die Wartung abzuschalten.

Elektrik

Eingangsspannung/Netzfrequenz:
Siehe Typenschild.

Entsprechend getrennt durch einen Sicherungsschalter oder eine Fehlerstromschutzeinrichtung.

Stromstärke 6,6 A.

Kabelvorgaben: 2-adriges PVC-Kabel + 1-adriges PVC-Kabel (Erdung).

Bei der Montage oder Reparatur des Produkts müssen lokale Regelungen eingehalten werden.

Nennleistung: Siehe Typenschild.

Betriebstemperaturbereich: 0 ° bis 40 °C.

Stromverbrauch im Standby-Betrieb:

Weniger als 0,5 W.

Maximale Höhenlage: 2.000 Meter.

Wasserbetrieb

Wasserleistung: 4 l/min bei normal angepasstem Strahlregler. 1,9 l/m bei niedrig angepasstem Strahlregler.

Maximaler Wasserdruck: 1-8 Bar. 1/2 Zoll BSP Sperrventil für die Wartung erforderlich.

Richten Sie die externe

Warmwasserversorgung so nah wie möglich am Mischventil aus, um das Risiko von Legionellen- oder Bakterienwachstum zu senken.

Automatische Spülung

Das Gerät verfügt über eine automatische Wasserspülung, die 24 Stunden nach der letzten Betätigung 60 Sekunden lang aktiviert wird. Dies verringert Wasserstauungen und Bakterienvermehrung im Inneren des Produkts.

Bitte stellen Sie sicher, dass das Gerät stets über einem funktionstüchtigen Waschbecken montiert wird, das über einen freien und angeschlossenen Ablauf verfügt.

Wasserversorgung: Sauberkeit und biologisches Wachstum

In einigen Ländern gibt es Vorschriften und Vorgaben, die festlegen, dass temperaturregulierte Wasserversorgungssysteme (wie sie an den Dyson Airblade Wash+Dry Händetrockner angeschlossen sind) regelmäßig gereinigt werden müssen, um biologisches Wachstum gering zu halten. Damit Sie diesen Vorschriften und Vorgaben gerecht werden können, wurde der Dyson Airblade Wash+Dry Händetrockner so ausgelegt und getestet, dass er einer Innenreinigung sowohl mit heißem Wasser bis zu einer Temperatur von 95 °C als auch mit Natriumhypochlorit in einer Konzentration von 0,45 % problemlos standhält.

Bitte beachten Sie die spezifischen (Markt-)Vorschriften und Vorgaben zu Wasserversorgungssystemen, um Informationen über Reinigungsverfahren im Hinblick auf die Sauberkeit der Wasserversorgung und über biologisches Wachstum zu erhalten.

Bitte beachten Sie bei der Innenreinigung des Dyson Airblade Wash+Dry Händetrockners jegliche Sicherheitsvorschriften beim Umgang mit heißem Wasser oder Chemikalien. Dyson übernimmt keine Verantwortung für entstandene und erlittene Verletzungen, die durch diesen Vorgang verursacht worden sind.

Ausführliche Tests

Der Dyson Airblade Wash+Dry Händetrockner wurde harten und ausführlichen Tests unterzogen, um sicherzustellen, dass er erheblichen Kräften und Einwirkungen, denen er in gewerblichen und öffentlichen Sanitäranlagen typischerweise ausgesetzt werden könnte, standhält.

Schritt für Schritt

Abb. 1

Positionierung

Positionieren Sie den Wasserhahn über der Mitte des Beckens (Abb. 1).

Bohren Sie, sofern erforderlich, ein Loch mit 35 mm Durchmesser in die Arbeitsfläche.

Abb. 2

Installation des Wasserhahns

Schieben Sie die 1-mm-Gummidichtung auf die Unterseite des Wasserhahns (Abb. 2a).

Ziehen Sie den Wasserhahn und die angeschlossene Wasserleitung sowie das Übertragungskabel durch das Loch in der Arbeitsfläche. Stellen Sie sicher, dass die 1-mm-Gummidichtung eben und flach unter dem Wasserhahn sitzt.

Stellen Sie sicher, dass sich der Wasserhahn oberhalb des Waschbeckens in der korrekten Position befindet.

Schieben Sie die 3,5-mm-Gummidichtung auf die Unterseite des Wasserhahns. Stecken Sie die Schrauben in den Sicherungsring aus Messing und ziehen Sie sie leicht fest, damit sie in Position bleiben.

Schieben Sie die Metallscheibe auf die Unterseite des Wasserhahns.

Schrauben Sie die Messingmutter so auf die Unterseite des Wasserhahns, dass ein Abstand von höchstens 5 mm zwischen der Metallscheibe und der Messingmutter bleibt.

Schrauben Sie die Schrauben durch die Messingmutter in die Metallscheibe und ziehen Sie sie handfest an.

A= 1-mm-Gummidichtung
B= Wasserhahn
C= Wasserleitung
D= Sensorkabel
E= 3,5-mm-Dichtung
F= Metallscheibe
G= Messingmutter
H= 2 x Schrauben

Abb. 3

Schlauchmontage

Schieben Sie den grauen Schlauch hoch über die Wasserleitung und das Sensorkabel (Abb. 3a).

Führen Sie die Wasserleitung durch das linke Ausgangsloch in die Schlauchführung (Abb. 3b).

Verwenden Sie eine Zange, um den Wasserschlauch vorsichtig bis zu der durchgezogenen weißen Linie durchzuziehen (Abb. 3c).

Vergewissern Sie sich, dass die Gummiringdichtung auf dem Wasserschlauch genau in die Schlauchführung passt, sodass diese luftdicht abgeschlossen ist (Abb. 3b).

Führen Sie das Sensorkabel durch das rechte Ausgangsloch, ziehen Sie beim Durchführen vorsichtig daran (Abb. 3b). Verwenden Sie hierfür KEINE Zange, da sonst die elektrischen Anschlüsse beschädigt werden könnten (Abb. 3c). Vergewissern Sie sich, dass die Kabeldurchführung auf dem Kabel genau in die Schlauchführung passt, sodass sie luftdicht

abgeschlossen ist (Abb. 3d). Silikonfett kann bei der Montage hilfreich sein.

Schrauben Sie die obere Schlauchtülle auf den Wasserhahn, sodass sie handfest ist (Abb. 3e).

A= grauer Schlauch
B= Wasserschlauch
C= Sensorkabel

Abb. 4

Vorbereitung für die Rückwandmontage

Entfernen Sie die Motoreinheit von der Rückwand, indem Sie auf den roten Freigabeknopf auf der Unterseite drücken und sie hochheben (Abb. 4a). Bewahren Sie die Motoreinheit gut auf, bis sie benötigt wird.

Entfernen Sie die Abdeckung des Wasserrohrs und die Elektronikabdeckung mithilfe eines Schraubendrehers Torx T15 von der Rückwand (Abb. 4b und 4c). Bewahren Sie die Abdeckung und die Befestigungselemente gut auf, bis sie benötigt werden.

Abb. 5

Montage der Rückwand

Die Rückwand kann in drei verschiedenen Positionen montiert werden: vertikal, 90° horizontal links oder rechts. Der Abstand zum Boden sollte mindestens 100 mm betragen (Abb. 5a).

Die Rückwand muss so positioniert sein, dass der Schlauch einfach montiert werden kann. Positionieren Sie den Motor NICHT kopfüber mit nach unten weisendem Schlauch oder über dem Wasserhahn (Abb. 5b).

Markieren Sie die Position der Rückwand an der Wand.

Kabeleinführung

Die Kabel können entweder von der Basis oder aber von der Wand aus direkt über die hintere Kabeleinführung in die Rückseite der Einheit geführt werden. Entscheiden Sie sich vor Beginn für eine der beiden Seiten.

Wenn Sie sich für die Kabeleinführung durch die Basis entschieden haben, nutzen Sie eine Zange, um nur die vorab gekennzeichnete Ausbruchplatte an der Basis der Rückwand herauszunehmen. Feilen Sie die Kanten des Ausbruchs glatt (Abb. 5c).

Wasseranschluss

Der Wasseranschluss erfolgt auf der linken Seite der Rückwand. Der Wasseranschluss kann nicht in der Rückwand gedreht werden (Abb. 5d).

Abb. 6

Montage der Rückwand

Wenn die Kabeleinführung von der Wand in die Rückwand verlaufen soll, müssen Sie das elektrische Kabel durchziehen, bevor Sie die Rückwand an der Wand befestigen.

Sichern Sie die Rückwand mithilfe der entsprechenden Befestigungselemente an der Wand (Abb. 6).

Verwenden Sie keine Senkschrauben.

Abb. 7

Anschließen des Sensorkabels

Klemmen Sie den Schlauch in die Rückwand. Stecken Sie das Sensorkabel wie in Abb. 7 abgebildet in den Schlauch (Anschluss in der Rückwand). Prüfen Sie die Ausrichtung des Anschlusses; die beiden Verriegelungen müssen aufgerichtet sein. Vergewissern Sie sich, dass das Kabel ordnungsgemäß in der Rückwand verläuft.

Abb. 8

Anschließen des Wasserschlauchs

Schneiden Sie den Wasserschlauch an der gepunkteten weißen Linie ab (Abb. 8a). Schieben Sie die Schlauchklemme (im Lieferumfang enthalten) auf den Wasserschlauch (Abb. 8b).

Entfernen Sie die 2 Kreuzschlitzschrauben und lösen Sie die Magnetspule von der Rückwand (Abb. 8b).

Befestigen Sie den Wasserschlauch an der Magnetspule (Abb. 8c).

Befestigen Sie die Magnetspule wieder an der Rückwand und ziehen Sie die 2 Schrauben fest (Abb. 8d).

Ziehen Sie die Schlauchklemme fest und stellen Sie sicher, dass das Magnetspulenkabel korrekt im Staukanal positioniert ist.

Abb. 9

Anschluss der Stromversorgung

Legen Sie die Stromversorgung zur Rückwand mithilfe des zugelassenen flexiblen oder festen Kabelrohrs und der Befestigungselemente. Vergewissern Sie sich, dass das Stromkabel lang genug ist und zur Klemmleiste in der Rückwand reicht.

Legen Sie das Kabel in die Rückwand und ziehen Sie die Kabeldurchführung fest.

Isolieren Sie das Kabel auf eine passende Länge ab und sichern Sie die Phasen und Nullleiter in den entsprechenden Positionen der Klemmleiste (Abb. 9). Vergewissern Sie sich, dass die Kabel korrekt positioniert sind, bevor Sie fortfahren.

Abb. 10

Elektronikabdeckung wieder zusammensetzen

Befestigen Sie die Elektronikabdeckung und sichern Sie sie mit den 6 im Lieferumfang enthaltenen Befestigungselementen. Versichern Sie sich, dass keine Kabel eingeklemmt werden.

Abb. 11

Anschluss von Kalt- oder Warmwasser

HINWEIS: Stellen Sie sicher, dass die Wasserzufuhr von jeglichem Schmutz, Kupferspänen usw. gereinigt wurde, bevor Sie sie an die Rückplatte anschließen. Eine unzureichende Reinigung kann zu einer Beschädigung des Magnetventils führen. Schließen Sie das isolierte Kalt- und Warmwasser an der Rückwand an. Drehen Sie das Wasser auf.

Drehen Sie das Wasser auf. Sehen Sie nach, ob an dem Eingang der Hauptwasserversorgung und dem Anschluss des Wasserschlauchs an dem Wasserhahn Wasser austritt.

Achten Sie auch auf Leckagen an der Magnetspulenverbindung.

Abb. 12

Strom einschalten

Schalten Sie den Strom am Gerät ein. KALIBRIERZYKLUS: Nach der Installation durchläuft der Wasserhahn einen 30-sekündigen Kalibrierungszyklus. Bewegen Sie Ihre Hand unter dem mittigen Sensor, damit das Wasser fließt. (Abb. 12a).

Auf Dichtheit prüfen nach Abb. 11.

Sichern Sie wie abgebildet die Abdeckung des Wasserrohrs an der Rückwand mithilfe der zwei im Lieferumfang Befestigungselemente. (Abb. 12b).

Abb. 13

Zusammenbau der Motoreinheit

Haken Sie den Motorblock an der Oberseite der Elektronikabdeckung ein. Drücken Sie den Motorblock nach hinten in die Motoreinheit, damit er wie abgebildet einrastet (Abb. 13a).

OPTIONAL: Eine Schraube zur Befestigung des roten Freigabeknopfs wird mitgeliefert und verhindert ein unerwünschtes Abnehmen des Motorblocks. Prüfen Sie, ob die Einheit ordnungsgemäß funktioniert.

Sichern der Motoreinheit an der Rückwand (optional).

So entfernen Sie den Filter: Lösen Sie mit einem Schraubenzieher vorsichtig die Lasche auf dem Filter (Abb. 13b).

Sichern Sie die Motoreinheit mithilfe der im Lieferumfang enthaltenen Sicherheitsschraube an der Rückwand (Abb. 13c).

Befestigen Sie den Schlauch wieder und stellen Sie sicher, dass er einrastet und fest sitzt (Abb. 13d).

Funktionstest Fehlerbehebung

Prüfen Sie, ob der Händetrockner ordnungsgemäß funktioniert:

- Halten Sie Ihre Hände mittig unter den Wasserhahn. Das Wasser beginnt automatisch zu fließen, und zwar so lange, wie Sie Ihre Hände darunter halten.
- Halten Sie Ihre Hände zu beiden Seiten des Wasserhahns, um den Händetrockner zu aktivieren. Luft wird auf Ihre Hände geblasen und trocknet sie so.
- Bewegen Sie Ihre Hände langsam rückwärts und vorwärts durch die Luft und drehen Sie Ihre Hände, sodass die Innen- und Außenflächen getrocknet werden können.

Der Händetrockner startet nicht:

- Prüfen Sie, ob die Sicherung bzw. der Trennschalter funktioniert und ob das Gerät an die Strom- und Wasserversorgung angeschlossen ist.
- Vergewissern Sie sich, dass die Reinigungskappe abgenommen wurde und dass die Sensoren sauber und frei sind.
- Schalten Sie das Gerät aus und wieder ein.

Der Händetrockner schaltet sich von allein ein und aus:

- Schalten Sie das Gerät aus und wieder ein.
- Entfernen Sie den Waschbeckenstöpsel, sofern vorhanden.
- Überprüfen Sie die Sensoren auf Verschmutzung.
- Prüfen Sie, ob das Sensorkabel aus dem Wasserhahn richtig angeschlossen wurde.

Der Händetrockner schaltet sich bei Gebrauch selbstständig aus:

- Schalten Sie das Gerät aus und wieder ein.
- Überprüfen Sie die Sensoren auf Verschmutzung.
- Prüfen Sie, ob die Lufteinlässe sauber und staubfrei sind. Wenn die Lufteinlässe staubig sind, entfernen Sie den Staub.
- Stellen Sie sicher, dass die Lufteinlässe sauber sind und dass genügend Luft hindurchströmen kann.

Die Trockenzeit hat sich verlängert:

- Inspizieren Sie die Lufteinlässe auf Staub und entfernen Sie ihn ggf.
- Inspizieren Sie den Filter und tauschen Sie ihn ggf. aus.
- Vergewissern Sie sich, dass der Schlauch ordnungsgemäß am Wasserhahn angebracht wurde und dass kein Wasser austritt.

Der Luftstrom ist heißer als gewöhnlich:

- Inspizieren Sie die Lufteinlässe auf Staub und entfernen Sie ihn ggf.
- Inspizieren Sie den Filter und tauschen Sie ihn ggf. aus.
- Vergewissern Sie sich, dass der Schlauch ordnungsgemäß am Wasserhahn angebracht wurde und dass kein Wasser austritt.

Es tritt kontinuierlich Luft aus:

- Überprüfen Sie, ob sich Gegenstände im Waschbecken befinden und entfernen Sie diese, falls notwendig.
- Prüfen Sie, ob die Sensoren sauber sind.
- Inspizieren Sie den Filter und tauschen Sie ihn ggf. aus.
- Vergewissern Sie sich, dass der Schlauch ordnungsgemäß am Wasserhahn angebracht wurde und dass kein Wasser austritt.

Es tritt keine Luft aus:

- Schalten Sie das Gerät aus und wieder ein.
- Prüfen Sie, ob die Sicherung bzw. der Trennschalter funktioniert und ob das Gerät an die Stromversorgung angeschlossen ist.
- Überprüfen Sie die Sensoren auf Verschmutzung.
- Vergewissern Sie sich, dass der Luftschlauch ordnungsgemäß am Wasserhahn angebracht wurde und dass kein Wasser austritt.
- Prüfen Sie, ob das Sensorkabel aus dem Wasserhahn richtig angeschlossen wurde.

Das Wasser fließt kontinuierlich aus dem Wasserhahn heraus.

- Prüfen Sie, ob die Sensoren sauber sind.

Es kommt kein Wasser aus dem Hahn.:

- Prüfen Sie, ob die Spannungs- und Wasserversorgung richtig angeschlossen wurde und ob das Sperrventil geöffnet ist.
- Prüfen Sie, ob die Mischdüse frei von Schmutz ist. Entfernen Sie den Schmutz, reinigen Sie die Düse oder tauschen Sie sie ggf. aus.

Das Wasser aus dem Wasserhahn ist zu warm oder zu kalt:

- Überprüfen Sie, ob das Mischventil auf die gewünschte Temperatur eingestellt ist.
- Weitere Unterstützung oder Informationen erhalten Sie vom Dyson Kundendienst oder online unter www.dyson.com.

DK

Indhold

Vigtige sikkerhedsanvisninger	77	
Indhold i kassen	78	
DK Kontrol før installation	79	
Installation		
Trinvis vejledning	81	
Test installationen	83	
Problemløsning	83	

VIGTIGE SIKKERHEDSANVISNINGER

LÆS OG GEM DISSE ANVISNINGER

FØR MONTERING OG BRUG AF DETTE APPARAT SKAL DU LÆSE ALLE ANVISNINGER OG ADVARSLER I DENNE INSTALLATIONSVEJLEDNING OG BRUGERVEJLEDNINGEN.

ADVARSEL

AL INSTALLATION OG REPARATION (BLIKKENSLAGER- OG ELEKTRIKERARBEJDE) SKAL UDFØRES AF EN AUTORISERET PERSON ELLER EN DYSON-SERVICETEKNIKER I OVERENSSTEMMELSE MED GÆLDENDE, LOKALE REGLER.

ADVARSEL

RISIKO FOR ELEKTRISK STØD!

HVIS KAPPEN FJERNES ELLER HÅNDBTERES FORKERT, KAN KOMPONENTER I APPARATET FORÅRSAGE SKADER ELLER PERMANENT BLIVE ØDELAGT.

DENNE ENHED SKAL JORDES FOR AT MINDSKE RISIKOEN FOR BRAND, ELEKTRISK STØD OG PERSONSKADE. VÆR OPMÆRKSOM PÅ FØLGENDE:

Før påbegyndelse af enhver form for installationsarbejde skal du kontrollere følgende.

- Kontroller, at elforsyningen svarer til det, der er angivet på apparatets mærkeplade.
- I den faste kabelinstallation skal der findes en afbryder af alle

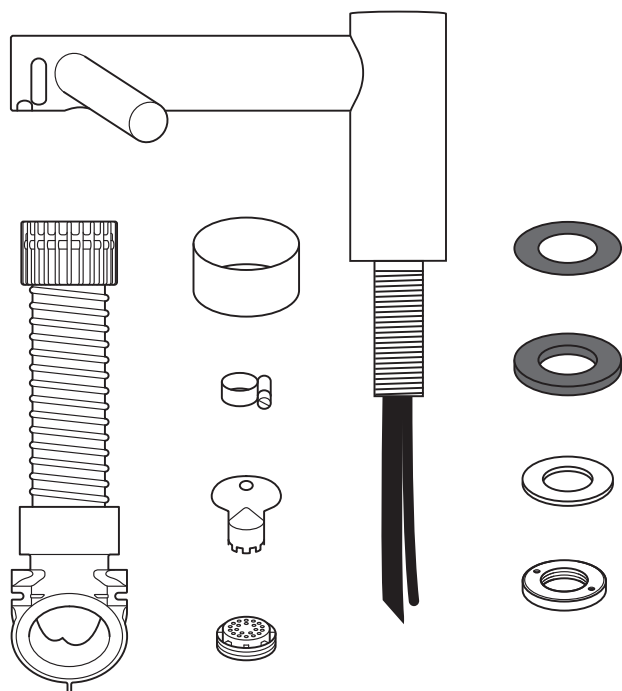
- ledninger, der er i overensstemmelse med lokale regler for kabelføring.
- Tilslut strøm med egnede kabelrør og elektriske beslag. Sørg for, at kabelrør og kabler er lange nok til at forbinde bagpladen med klemrækken. Kabelrør af massiv metal er ikke egnet til kabelindføring fra siden.

ADVARSEL

Vær forsigtig ved udpakning af komponenterne. Der kan være skarpe kanter/hjørner, som kan give snitsår eller andre skader.

DER MÅ IKKE BENYTTES HØJTRYKSSPULER TIL RENGØRING AF ELLER I NÆRHEDEN AF DETTE APPARAT

Indhold i kassen



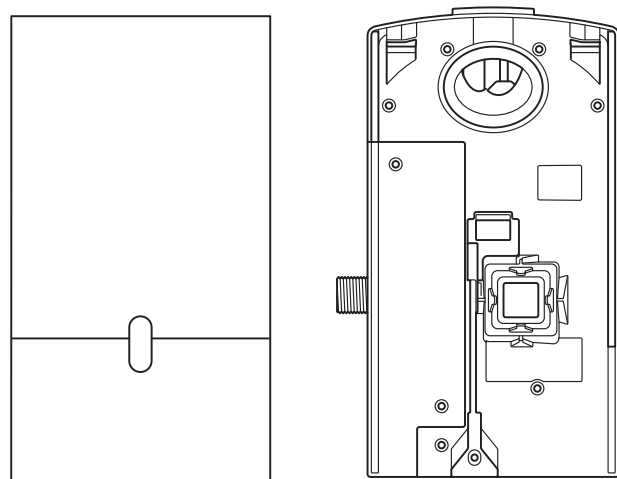
x2  

x1  

Nødvendigt værktøj:

- Lille Phillips-skruetrækker
- 7 mm flad skruetrækker
- 2,5 mm skruetrækker med fladt hoved
- Torx T15-skruetrækker
- Målebånd og blyant
- Håndboremaskine
- Egnet borehoved
- Tang/afisoleringstang
- Kniv
- Svensknøgle

DK



Kontrol før installation

Fig. A

Planlægning forud for installationen

Håndtørreren Dyson Airblade Wash+Dry er konstrueret, så motoren er vægmonteret og placeret under vasken. **Figur A (i).**

Montering af et indløbsfilter anbefales for at forhindre enhver skade, der kan påvirke din garanti.

- Sørg for tilstrækkelig plads til installation og vedligeholdelse. Se **figur A(ii).**
- Apparatet er beregnet til tør, indendørs placering.
- Se gældende adgangsregler for relevante vejledninger for installation. Overholdelse heraf er installatørens ansvar. Sørg for, at apparatet installeres i overensstemmelse med bygningsregler og/eller -lovgivning.
- I den faste kabelinstallation skal der findes en afbryder af alle ledninger, der er i overensstemmelse med lokale regler for kabelføring.
- Isolér strømførende ledninger og vandforsyningen før installation eller service.
- Sørg for, at der ikke findes rør (gas, vand, luft) eller elektriske kabler, ledninger eller kanaler lige bag bore-/monteringsstedet.
- Dyson anbefaler brug af beskyttelsestøj, -briller mv. efter behov under installation/ reparation.
- Apparatet er konstrueret til permanent vandtilslutning.

Brug i områder, hvor der tilberedes fødevarer.

En særlig installation er påkrævet i miljøer med fødevarerfremstilling. Denne skal være tætsluttet om både motorhus og slange i et rensvenligt materiale eller have motorhuset placeret på den modsatte side af en væg med tilstrækkelig plads under selve huset til grundig rengøring (hvis relevant). Enheden skal i dette tilfælde være placeret mindst 2,5 meter fra alle utildækkede fødevarer samt evt. utildækkede overflader, hvor fødevarerfremstilling finder sted.

Se anbefalingsguiden til vaske på www.dyson.com forud for installationen.

Fig. B

Retningslinjer for vaskens specifikationer

Dyson's udviklere har ved hjælp af en specifik udformet testmetode testet en lang række vaske for at vurdere deres kompatibilitet med Dyson Airblade Wash+Dry. Benyt vores vejledning på www.dyson.com til at se anbefalede vaske.

Vaske af porcelæn eller børstet metal er ideelle. Vaske med højglans polerede overflader, f.eks. blank krom, bør undgås. Se vaskens mindstemål i **Fig. B.**

Fig. C/D/E

Montering af vandhane

Der skal være mindst 100 mm og maksimalt 155 mm mellem vandhanens midte og vaskens overside. **Fig. C.**

Der skal være mindst 290 mm mellem vandhanens midte og en sidevæg. Hvis flere vandhaner monteres ved siden af hinanden, skal der være mindst 580 mm mellem vandhanernes midte. Derved er der tilstrækkelig plads til montering af motoren samt tilstrækkelig plads til brugerne. **Fig. D.** Undlad at placere vandhanens nedadrettede føler over en reflekterende overflade såsom afløbshullet. **Fig. E.**

Fig. F

Sæbe og placering af sæbedispenser

Dyson anbefaler brug af gel-sæbe med henblik på den bedste brugeroplevelse.

Området for den infrarøde føler til aktivering af blæseren følger langs hver gren på vandhanen. For at forhindre utilsigtet aktivering er det vigtigt at overveje hvilken vej, brugeren vil føre sin hånd for at nå sæbedispenseren.

Dispenseren bør placeres mindst 60 mm uden for vandhanens bredde, så brugeren rækker rundt om siden af forgreningen.

Den bør også placeres mindst 60 mm over forgreningerne, så følerne ikke aktiveres.

Bemærk, at brugeren kan række diagonalt over til sæben, så denne vej må ikke gå igennem følerområdet.

Fig. G/H

Afløb

På grund af luftens høje hastighed og nærhed til vand er der en mulighed for, at vand og sæbe kan sprøjte uden for vasken. For at undgå dette anbefales det at følge retningslinjerne nedenfor.

Bundens profil

En flad bund vil give et dårligt afløb og medføre meget sprøjt uden for vasken. For at forbedre afløbet skal du undgå vaske med flad bund specielt lige omkring afløbet – minimum 60 mm radius. **Fig. G.**

En hældning på mindst 6° grader fra kanten af afløbshullet i vasken vil give et godt afløb og mindre sprøjt (minimum 60 mm radius). **Fig. H.**

Fig. I/J/K

Overgang mellem bund og for-/bagside

Overgangen mellem vaskens bund og for-/bagsid bør tages i betragtning. Bagsiden bør være så tæt på 90° som muligt og med så lille en radius som muligt, **Fig. I.** Kurvede flader vil sandsynligvis give mere sprøjt **Fig. J,** mens skrån for og bagside bør undgås, **Fig. K.**

Fig. L

Prophul

Prophuller med den største åbning anbefales, mens gitter og perforering med huller bør undgås, da de begrænser afløbet af sæbevand (skum). Brug ikke prop i vaskens afløb.

Fig. M

Styring af vandtemperatur

Hvis du tilslutter varmt og koldt vand, skal du installere en blendeventil. Ved tilslutning udelukkende til koldt vand skal du montere en vandvarmer.

Vandtilførslen til dette apparat skal være udstyret med en temperaturregulering i overensstemmelse med gældende regler.

A= Blandeventil
B= Fremføring af varmt og koldt vand
C= Ønsket udgangstemperatur
D= Afspærringsventil
E= Vandvarmer
F= Fremføring af koldt vand

Yderligere Information

Installation

Brug ikke forseglere ved fastgørelse af apparatet til væggen.
Sørg for, at der findes tilslutning til strøm, blandingsvand og afløb. Egnede isolering af el- og vandforsyninger skal være på plads, så forsyningerne kan slås fra forud for installation og serviceeftersyn.

Elektricitet

Indgangsspænding/frekvens:
Se mærkepladen.
Leveret fra stikkontakt eller relæ.
Strømstyrke 6,6 A.
Kabelspecifikationer: Dobbeltkernet PVC + enkeltkernet PVC (jordet)
1,5 mm tværsnit.
Lokale el-regler skal overholdes ved installation og reparation af produktet.
Nominel effekt: Se mærkepladen.
Driftstemperatur: 0-40 °C.
Standby-effektforbrug:
Under 0,5 W.
Maksimal højde: 2.000 meter.

Vandforsyning

Vandgennemstrømning: 4 l/min. med normal luftblander påmonteret. 1,9 l/min med luftblander, der følger med produktet.
Krav til vandtryk: 1-8 bar. 1/2" BSP isoleret ventil obligatorisk ved service.
Hold sekundært varmt returvand så tæt på blandeventilen som muligt for at formindske risikoen for Legionella-bakterievækst.

Automatisk vandskyl

Produktet er udstyret med automatisk vandskyl, som aktiveres i 60 sek. 24 timer efter sidste brug. Dette hjælper med at reducere stillestående vand og bakteriespredning i produktet.

Sørg for, at produktet altid er installeret over en fungerende vaskekumme med tilsluttet afløb.

Vandets renhed og biologisk vækst

I visse lande findes der regler eller retningslinjer, der kræver, at vandforsyninger med tempereret vand (som det, der leveres til Dyson Airblade Wash+Dry-håndtørre) renses regelmæssigt for at minimere biologisk vækst. For at overholde disse regler er Dyson Airblade Wash+Dry-håndtørre udviklet til at modstå indvendig rengøring med vand, der er op til 95 °C og med natriumhypoklorit i en koncentration på 0,45 %.

Se de lokale regler og vandforsyningens anbefalinger til rengøring af vandforsyningssystemer og kontrol af biologisk vækst.

Når du foretager indvendig rengøring af Dyson Airblade Wash+Dry-håndtørre, skal du være opmærksom på evt. sikkerhedsforanstaltninger ved brug af varmt vand eller kemikalier. Dyson er ikke ansvarlig for skader i forbindelse hermed.

Testet mod hærværk

Dyson Airblade Wash+Dry-håndtørre har været under hårdhændet afprøvning for at sikre, at den kan modstå betydelige stødkræfter og slag, der typisk forekommer i kommercielle og offentlige toiletmiljøer.

Trinvis vejledning

Fig. 1

Placering

Placer vandhanen over midten af vasken.
Figur 1.

Skær et hul på 35 mm i arbejdsfladen, hvis det er nødvendigt.

Fig. 2

Installation af vandhanen

Skub gummipakningen på 1 mm på vandhanens stilk. Figur 2a.

Før vandhanens stilk, den tilsluttede vandslange og kommunikationskablet igennem hullet i bordet. Sørg for, at gummipakningen på 1 mm sidder under vandhanen jævnt og fladt.

Sørg for, at vandhanen sidder i den korrekte position over vasken.

Skub gummipakningen på 3,5 mm på vandhanens stilk.

Sæt skruerne ind i låseringen af messing, og stram dem let for at holde dem på plads.

Skub metalspændskiven på vandhanens stilk.

Skrul låsemøtrikken i messing på vandhanens stilk. Lad der højst være et mellemrum på 5 mm mellem metalspændskiven og låsemøtrikken i messing.

Stram skruerne igennem låsemøtrikken i messing ind i metalspændskiven, til de er håndstramme.

A= Gummipakning på 1,0 mm
B= Vandhanens stilk
C= Vandslange
D= Følerkabel
E= Pakning på 3,5 mm
F= Metalspændskive
G= Låsemøtrik i messing
H= 2 x skruer

Fig. 3

Installation af slange

Før den grå slange op over vandrøret og følerkablet. Figur 3a.

Før vandslangen igennem det venstre udgangshul i slangens kanal som vist i figur 3b.

Brug en tang til forsigtigt at trække vandslangen igennem indtil den ubrudte hvide streg. Figur 3c.

Sørg for, at tyllen på vandslangen sidder stramt i slangens kanal, så den er lufttæt. Figur 3b.

Før følerkablet igennem det højre udgangshul, og træk forsigtigt, når du fører det igennem. Figur 3b. UNDLAD at bruge en tang, da dette kan beskadige de elektriske forbindelser. Figur 3c. Sørg for, at tyllen på kablet sidder stramt i slangens kanal, så den er lufttæt. Figur 3d. Silikonefedt kan bruges til at hjælpe med monteringen.

Skrul slangens øverste krave fast på vandhanens stilk, så den kan løsnes med hånden. Figur 3e.

A= Grå slange
B= Vandrør
C= Følerkabel

Fig. 4

Klargøring til installation af bagpladen

Afmonter motoren fra bagpladen ved at trykke på den røde frigørelseslås i bunden og løfte den op, som vist i figur 4a. Opbevar motoren sikkert, indtil den skal bruges.

Afmonter dækslet til vandrøret og el-dækslet fra bagpladen med en Torx T15-skruetrækker. Figur 4b og 4c. Opbevar dem sikkert sammen med beslagene, indtil de skal bruges.

Fig. 5

Planlægning af installation af bagplade

Bagpladen kan placeres på tre måder: lodret eller drejet 90° enten til venstre eller til højre. Den bør sidde mindst 100 mm over gulvet. Se figur 5a.

Sørg for, at bagpladen er placeret, så slangen let kan monteres.

Placer IKKE motoren på hovedet med slangen pegende ned eller i en position over vandhanen. Se figur 5b.

Markér bagpladens placering på væggen.

Kabelindgang

Kablet kan komme ind igennem bunden eller fra væggen direkte bag anordningen via kabelindgangen. Bestem dig, før du begynder.

Hvis kablet skal føres ind igennem bunden, skal du med en tang forsigtigt fjerne det markerede område af bunden på bagpladen. Slib kanterne af den afbrækkede del glatte. Figur 5c.

Vandindgang

Vandforbindelsen er lavet på venstre side af bagpladen. Vandforbindelsen kan ikke drejes inde i bagpladen. Figur 5d.

Fig. 6

Montering af bagpladen

Hvis kabelindgangen skal være direkte fra væggen og gennem bagpladen, trækkes det elektriske kabel, før bagpladen fastgøres til væggen.

Fastgør bagpladen til væggen med egnede beslag. Figur 6.

Brug ikke undersænkede skruer.

Fig. 7

Tilslutning af følerkablet

Klem slangen ind i bagpladen.

Slut følerkablet i slangen til stikket på bagpladen, som vist i figur 7. Kontrollér, hvordan stikket vender – de to flige skal flugte. Sørg for, at kablet er ført korrekt gennem bagpladen.

Fig. 8

Sådan forbindes vandrøret

Skær vandslangen over ved den stiplede, hvide streg som vist i figur 8a.

Skub slangeklemmen (medfølger) på vandslangen. [Figur 8b.](#)

Fjern de 2 Phillips-skruer, og hægt magnetspolen fra bagpladen af. [Figur 8b.](#)

Fastgør vandslangen på magnetspolen. [Figur 8c.](#)

Hægt magnetspolen tilbage på bagpladen, og tilspænd de 2 skruer. [Figur 8d.](#)

Stram slangeklemmen, og sørg for, at magnetpolekablet er placeret korrekt i holdekanalen.

Fig. 9

Tilslutning af strømforsyning

Før elforsyningen frem til bagpladen ved hjælp af et godkendt fleksibelt eller ufleksibelt rør og godkendte beslag. Sørg for, at kablet er langt nok til at blive tilsluttet klemrækken monteret på bagpladen.

Før kablet ind på bagpladen, og spænd kabelforskrningen.

Tag en passende længde af isoleringen, og stik den strømførende ledning og nulledningen i de tilsvarende klemrækker som vist på [figur 9](#). Sørg for, at ledningerne sidder korrekt, før du fortsætter.

Fig. 10

Saml eldækslet igen

Fastgør el-dækslet med de 6 medfølgende monteringsskruer, og kontrollér, at der ikke er fastklemte ledninger.

Fig. 11

Tilslutning af blandet vandforsyning

Sørg for, at vandforsyningen er skyllet fuldstændig fri for snavs, kobberrester osv. før tilslutning til bagpladen. Mangel herpå kan beskadige magnetventilen og medføre, at den ikke lukker korrekt, og vandhanen drypper.

Slut den isolerede, blandede vandforsyning til bagpladen.

Åbn for vandet.

Kontrollér for utætheder ved tilslutningen til vandledningerne, og hvor vandslangen er forbundet med vandhanen. Kontrollér desuden for utætheder ved magnetpoleforbindelsen.

Fig. 12

Aktivering af strøm

Tænd for strømmen til maskinen.

KALIBRERINGSPROCES: Efter installation vil vandhanen gennemgå en 30-sekunders kalibreringsproces.

Placer en hånd under føleren på vandhanen for at åbne for vandet. [Figur 12a.](#)

Kontroller for utætheder i henhold til [figur 11](#).

Fastgør dækslet over vandrøret til bagpladen via de to medfølgende beslag som vist. [Figur 12b.](#)

Fig. 13

Samling af motoren

Hæng motor på toppen af el-dækslet. Drej det nedad, så det klikker på plads som vist. Skub det ind for at sikre det. Skub ind, så det sidder fast. [Figur 13a.](#)

VALGFRI: Der medfølger en skrue til at fastgøre den røde udløserknop og forhindre uønsket frigørelse af motorhuset.

Afprøv, om enheden fungerer korrekt.

Fastgør motorhuset til bagpladen (valgfrit).

Filteret fjernes forsigtigt med en skruetrækker ved at frigøre tappet på filteret, som vist [Figur 13b.](#)

Fastgør motorhuset til bagpladen ved hjælp af den medfølgende sikkerhedsskrue [Figur 13c.](#)

Tilslut filteret igen, så det klikker på plads. [Figur 13d.](#)

Test installationen

Afprøv, om håndtørderen fungerer korrekt:

- Placer hænderne under midten af vandhanen, hvorefter vandet strømmer ud, så længe hænderne forbliver der.
- Placer hænderne på enten højre eller venstre side af midterhanen for at aktivere håndtørderen.
- Før hænderne langsomt frem og tilbage gennem luftstrømmen. Vend hænderne, så både for- og bagside udsættes for luftstrømmen.

Problemløsning

Håndtørderen starter ikke:

- Kontrollér, at sikringen ikke er udløst, og at el og vand er tilsluttet.
- Sørg for, at rengøringshætten er fjernet, og at følerne er rene og fri for hindringer.
- Sluk og tænd for apparatet.

Håndtørderen tænder og slukker tilfældigt:

- Sluk og tænd for apparatet.
- Sørg for, at der ikke er nogen prop i vasken og fjern den, hvis der er en prop.
- Sørg for at følerne er rene.
- Kontrollér, at følerkablet fra vandhanen er tilsluttet korrekt og sidder fast.

Håndtørderen stopper indimellem, når den er i brug:

- Sluk og tænd for apparatet.
- Sørg for at følerne er rene.
- Kontrollér luftindtagene for støv. Hvis luftindtagene er støvede, fjernes støvet.
- Sørg for at luftindtagene er fri for hindringer, og at der er tilstrækkelig plads omkring dem.

Det tager længere tid at tørre:

- Kontrollér luftindtagene for støv.
- Inspicer filteret, og udskift det efter behov.
- Sørg for at slangen er korrekt monteret til bunden af vandhanen, og at der ikke er utætheder.

Luftstrømmen er varmere end normalt:

- Kontrollér luftindtagene for støv.
- Inspicer filteret, og udskift det efter behov.
- Sørg for at slangen er korrekt monteret til bunden af vandhanen, og at der ikke er utætheder.

Luften bliver ved med at strømme:

- Kontrollér for fremmedlegemer i vasken, og fjern dem om nødvendigt.
- Sørg for, at følerne er rene og fri for hindringer.
- Inspicer filteret, og udskift det efter behov.
- Sørg for at slangen er korrekt monteret til bunden af vandhanen, og at der ikke er utætheder.

Der strømmer ingen luft:

- Sluk og tænd for apparatet.
- Kontrollér, at sikringen ikke er udløst, og at el er tilsluttet.
- Sørg for at følerne er rene.
- Sørg for at luftslangen er korrekt monteret til bunden af vandhanen, og at der ikke er nogen utætheder.
- Kontrollér, at følerkablet fra vandhanen er tilsluttet korrekt og sidder fast.

Vandet bliver ved med at løbe fra vandhanen:

- Sørg for, at følerne er rene og fri for hindringer.

Der kommer ingen vand fra vandhanen:

- Sørg for, at der tændt for strømmen, åbnet for vandet og at afspærringsventilen er åben.
- Sørg for at luftblanderen er fri for snavs, og afmonter og rengør/udskift om nødvendigt.

Vandet fra vandhanen er for varmt eller koldt:

- Kontrollér, at blandeventilen er indstillet til den ønskede temperatur.
- Kontakt Dysons kundepleje, eller besøg www.dyson.com for at få mere hjælp og information

ES

Índice

Instrucciones importantes de seguridad 85 

¿Qué hay en la caja? 86

Comprobaciones previas a la instalación 87

Instalación

Paso a paso 89

Comprobación de la instalación 91

Resolución de problemas 91

INSTRUCCIONES IMPORTANTES DE SEGURIDAD

LEA Y GUARDE ESTAS INSTRUCCIONES

ANTES DE INSTALAR O UTILIZAR ESTA UNIDAD, LEA LAS INSTRUCCIONES COMPLETAS Y ETIQUETAS DE PRECAUCIÓN INCLUIDAS EN ESTA GUÍA DE INSTALACIÓN Y EN EL MANUAL DE USUARIO.

ADVERTENCIA

TODO EL TRABAJO DE INSTALACIÓN Y MANTENIMIENTO (INSTALACIÓN ELÉCTRICA Y DE CAÑERÍAS) DEBE REALIZARLO UNA PERSONA CUALIFICADA O UN INGENIERO DEL SERVICIO DE MANTENIMIENTO DE DYSON CONFORME CON LOS CÓDIGOS Y NORMAS LOCALES VIGENTES.

ADVERTENCIA

¡RIESGO DE DESCARGA ELÉCTRICA!

SI LA CARCASA SE QUITA O SE MANIPULA DE MANERA INCORRECTA, LAS PIEZAS INTERNAS DE LA UNIDAD PUEDEN CAUSAR DAÑOS O DETERIORARSE DE MANERA PERMANENTE.

LA UNIDAD DEBE CONECTARSE A LA TOMA DE TIERRA PARA REDUCIR EL RIESGO DE INCENDIO, DESCARGA ELÉCTRICA O LESIÓN.

Antes de comenzar la instalación, debe confirmar lo siguiente:

- Compruebe que la alimentación eléctrica se corresponde con la que aparece en la placa de las especificaciones.
- Debe incorporarse un sistema de desconexión de todos los polos al cableado fijo, conforme las normas locales de cableado.

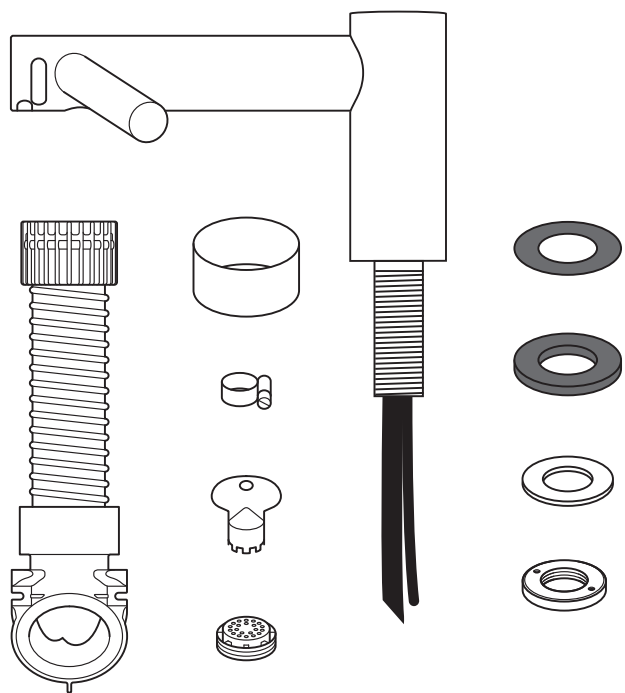
- Conecte la alimentación eléctrica mediante un conducto y los accesorios eléctricos adecuados. Asegúrese de que el conducto y los cables sean lo suficientemente largos como para conectarse a la placa posterior y al cuadro de terminales. No se puede usar un conducto de metal sólido para la entrada lateral.

ADVERTENCIA

Tenga cuidado al desembalar los componentes. Es posible que tengan bordes o esquinas afiladas que pueden provocar cortes u otros daños.

NO UTILICE NINGÚN EQUIPO DE LAVADO A PRESIÓN PARA LIMPIAR ESTA UNIDAD O CERCA DE LA MISMA.

¿Qué hay en la caja?



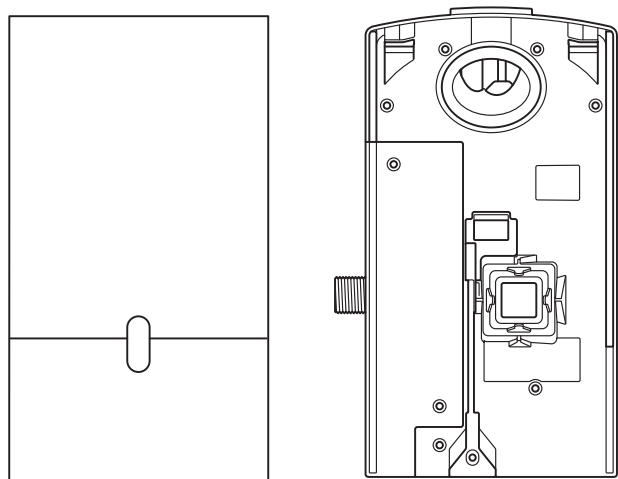
x2  

x1  

Herramientas necesarias:

- Destornillador Phillips pequeño
- Destornillador de hoja plana de 7 mm
- Destornillador de punta plana de 2,5 mm
- Destornillador Torx T15
- Cinta de medir y lápiz
- Taladro
- Broca adecuada
- Alicates/ alicates pelacables
- Cuchilla
- Llave de tuercas regulable

ES



Comprobaciones previas a la instalación

Fig. A

Planificación de la instalación

El secador de manos Dyson Airblade Wash+Dry está diseñado de manera que la unidad del motor se ubica y se monta debajo del lavabo conforme a la Fig. A(i).

Se recomienda la colocación de un filtro en la línea para evitar daños que puedan afectar a la garantía.

- Deje suficiente espacio para la instalación y el mantenimiento, consulte la Fig. A(ii).
- La unidad está diseñada para colocarse en lugares interiores y secos únicamente.
- Consulte los códigos y las normas de accesibilidad locales y nacionales para determinar las pautas de instalación adecuadas. El cumplimiento de estas normas es responsabilidad del instalador. Asegúrese de que la unidad se instala utilizando el conducto, la tapa del conducto y la carcasa metálica suministrados.
- Debe incorporarse un sistema de desconexión de todos los polos al cableado fijo, conforme a las normas locales de cableado.
- Aisla la alimentación eléctrica y el suministro de agua antes de la instalación o de realizar el mantenimiento.
- Asegúrese de que no haya ninguna tubería (de gas, agua, aire) ni cables eléctricos, alambres o conductos directamente detrás de la zona de montaje/perforación.
- Dyson recomienda el uso de ropa, gafas y materiales de protección al instalar o reparar según sea necesario.

- Este aparato está destinado a estar conectado de manera permanente a la red de agua.

Uso en zonas de manipulación de alimentos

Los entornos donde se preparan alimentos requieren una instalación especial: el conjunto del motor y el tubo flexible deben encerrarse por completo en una cubierta limpia, o bien el conjunto del motor debe ubicarse al otro lado de una pared; es necesario dejar espacio suficiente para limpiar por debajo de la unidad (en su caso) y esta debe situarse a una distancia mínima de 2,5 metros de alimentos sin cubrir o de superficies descubiertas que estén en contacto con alimentos.

Consulte la guía de lavabos recomendados en www.dyson.com antes de la instalación.

Fig. B

Instrucciones conforme a las especificaciones del lavabo

A través de un método de prueba especialmente diseñado, los técnicos de Dyson comprobaron una amplia gama de lavabos para evaluar su compatibilidad con el secador de manos Dyson Airblade Wash+Dry. Para la lista completa de lavabos compatibles visite: www.dyson.es.

Los lavabos de porcelana o metal pulido son recomendados. Los lavabos con superficies muy pulidas deberían evitarse, por ejemplo, los de cromo brillante. Véanse las dimensiones mínimas del lavabo en la Fig. B.

Fig. C/D/E

Instalación del grifo

Se deberá guardar una distancia mínima de 100 mm y una máxima de 155 mm desde la parte superior del lavabo al centro del grifo.

Fig. C.

Se deberá guardar una distancia mínima de 290 mm entre el centro del grifo y la pared lateral. Cuando se instalen varios grifos, unos al lado de otros, los centros de los grifos deben mantener una distancia de 580 mm. Esto permite dejar suficiente espacio para instalar el conjunto del motor, y suficiente espacio para los usuarios. Fig. D.

Evite situar el sensor del agua orientado hacia abajo sobre una superficie reflectante, como el orificio del desagüe. Fig. E.

Fig. F

Jabón y ubicación del dispensador de jabón

Para que los usuarios saquen un mayor provecho, Dyson recomienda el uso de jabón en gel.

La zona de detección de infrarrojos por activación del aire se extiende para cada brazo de grifo. Para evitar una activación fortuita, es importante tener en cuenta la proyección de la mano del usuario hacia el dispensador de jabón.

El dispensador deberá colocarse, como mínimo, a una distancia de 60 mm del ancho del grifo, de manera que el usuario se acerque justo al lado del brazo.

Se deberá ubicar, como mínimo, a 60 mm por encima de los brazos, de manera que los sensores no se activen.

Por favor, tenga en cuenta que el usuario puede alcanzar de manera diagonal el jabón, por tanto, esta proyección no debe ir por la zona de detección.

Fig. G/H

Drenaje del agua

Debido a la proximidad entre el agua y el aire a alta velocidad, existe la posibilidad de que parte del agua y el jabón se derrame fuera del lavabo. Para reducir este efecto, recomendamos seguir las directrices siguientes.

Perfil de la base

El perfil de la base plana dará lugar a un drenaje lento lo que conlleva un alto nivel de salpicaduras. Para mejorar el drenaje, evite lavabos con una base plana, poniendo especial interés en el área inmediata que rodea al orificio de desagüe, un radio mínimo de 60 mm. Fig. G.

Un ángulo mínimo de 6° de inclinación desde el borde del orificio de desagüe del lavabo dará lugar a un buen drenaje, lo que conlleva una reducción en los niveles de salpicaduras (radio mínimo de 60 mm). Fig. H.

Fig. I/J/K

Base para el paso de pared posterior y frontal

También hay que tener en cuenta la base para el paso de pared posterior y frontal. La pared posterior debería estar lo más cerca a los 90° y con un radio lo más agudo posible. Fig. I. La geometría curvada es más probable que incremente las salpicaduras Fig. J, mientras que se debería evitar la inclinación de los pasos de pared posterior y frontal. Fig. K.

Fig. L

Desagües

Se recomiendan válvulas de desagüe con la máxima apertura, mientras que rejillas o válvulas de desagüe perforadas deben ser evitadas porque reducen el drenaje del agua con jabón (espuma). No utilice tapones en los desagües de los lavabos.

Fig. M

Control de la temperatura del agua

Si se conecta a un suministro de agua caliente y fría, deberá instalar una válvula mezcladora. Si se conecta únicamente a un suministro de agua fría necesitará instalar un calefactor.

El suministro de agua de este producto debe instalarse con un dispositivo de control de temperatura de acuerdo con la normativa local.

A= Válvula mezcladora
B= Suministro de agua fría y caliente
C= Salida temperatura deseada
D= Válvula de aislamiento
E= Calefactor
F= Suministro de agua fría

Información Adicional

Instalación

No utilice masilla sellante para fijar la unidad a la pared.

Asegúrese de que estén disponibles para conectar los suministros de agua de alimentación mixta, de corriente eléctrica y las conexiones de drenaje. Debe disponer de los aislamientos adecuados para los suministros

de electricidad y agua que permitan su desconexión antes de la instalación o reparación.

Eléctrico

Tensión de entrada/Frecuencia: Consulte la placa de características.

Aislado por la tulipa del fusible del interruptor o RCD según corresponda.

Corriente 6,6 A.

Especificación del cable: PVC con dos núcleos + PVC con un núcleo (tierra)

1,5 mm área de intersección.

Se deben cumplir las normativas eléctricas locales a la hora de instalar o reparar el producto.

Potencia nominal: Consulte la placa de características.

Rango de temperatura de funcionamiento: 0 °C – 40 °C.

Consumo en espera:

Menos de 0,5 W.

Altura máxima: 2000 metros.

Funcionamiento del agua

Caudal de agua: 4 l/min con aireador normal instalado. 1,9 l/min con aireador de caudal bajo suministrado con el producto.

Presión del agua necesaria: 1-8 bar. Válvula aislada de 1/2" BSP necesaria para el servicio. Mantenga la línea de retorno de agua caliente secundaria lo más cerca posible de la válvula de mezcla para prevenir la proliferación de la bacteria Legionella.

Función de vaciado automático

La unidad está equipada con una función de limpieza automática fija, que se activa durante 60 segundos 24 horas después de su último uso. Ayuda a reducir el estancamiento del agua y la proliferación de bacterias dentro del producto.

Instale siempre la unidad sobre un lavabo adecuado con el desagüe libre y conectado.

Higiene y desarrollo de bacterias en el suministro de agua

En algunos países existen normativas o directrices que exigen sistemas de suministro de agua con control de temperatura (como las suministradas a los secadores de manos Dyson Airblade Wash+Dry) que están sujetos a limpieza regular para minimizar cualquier desarrollo de bacterias. Para ayudarle a cumplir estas normas, el grifo Dyson Airblade Wash+Dry se ha diseñado y testado para tolerar la limpieza interna tanto con agua caliente a 95 °C como con una concentración del 0,45 % de hipoclorito de sodio.

Por favor, consulte las normativas específicas (del mercado) y las recomendaciones del sistema de suministro de agua para información sobre el régimen de limpieza para la higiene del suministro de agua y el desarrollo de bacterias en su país.

Al llevar a cabo la limpieza interna del secador de manos Dyson Airblade Wash+Dry, tenga en cuenta todas las medidas de seguridad al utilizar el agua caliente o productos químicos. Dyson no será responsable de ninguna lesión derivada de este proceso.

Pruebas agresivas

El secador de manos Dyson Airblade Wash+Dry ha pasado por pruebas agresivas para garantizar que puede soportar las fuerzas sustanciales e impactos típicos de entornos de baños públicos y de grandes superficies.

Paso a paso

Fig. 1

Posición

Posicione el grifo sobre el centro del lavabo (Fig. 1).

Corte un orificio de 35 mm de diámetro en la superficie de trabajo, si es necesario.

Fig. 2

Instalación del grifo

Deslice la junta de goma fina de 1 mm sobre el vástago del grifo (Fig. 2a).

Pase el vástago del grifo junto con la tubería de agua adjunta y el cable de comunicaciones a través del orificio abierto en la superficie de trabajo. Asegúrese de que la junta de goma fina de 1 mm esté situada debajo del grifo de forma uniforme y plana.

Asegúrese de que el grifo se encuentre en la posición correcta sobre el fregadero.

Deslice la junta de goma fina de 3,5 mm sobre el vástago del grifo.

Inserte los tornillos en el anillo de latón de bloqueo y apriete ligeramente para que se sujeten en su sitio.

Deslice la arandela de metal sobre el vástago del grifo.

Enrosque la contratuerca de latón sobre el vástago del grifo, dejando una separación inferior o igual a 5 mm entre ella y la arandela de metal.

Apriete los tornillos a través de la contratuerca de latón y encájelos en la arandela de metal, hasta que estén apretados manualmente.

A= Junta de caucho de 1 mm
B= Vástago de grifo
C= Tubería de agua
D= Cable del sensor
E= Junta de 3,5 mm
F= Arandela metálica
G= Tuerca de bloqueo de latón
H= 2 tornillos

Fig. 3

Instalación del tubo flexible

Deslice el tubo flexible gris hacia arriba de la tubería de agua y el cable del sensor (Fig. 3a).

Pase la tubería de agua por el orificio de salida izquierdo del conducto del tubo flexible, como se muestra en la Fig. 3b.

Utilice unas tenazas para tirar con suavidad de la tubería de agua hasta la línea blanca sólida (Fig. 3c).

Asegúrese de que el ojal de la tubería de agua encaje bien y de forma hermética en el conducto del tubo flexible (Fig. 3b).

Pase el cable del sensor por el orificio de salida derecho, tirando suavemente a medida que lo pasa (Fig. 3b). NO utilice tenazas para hacer esto, ya que podría dañar las conexiones eléctricas (Fig. 3c). Asegúrese de que el ojal del cable encaje bien y de forma hermética en el conducto del tubo flexible (Fig. 3d). Se puede utilizar grasa de silicona para facilitar el ajuste.

Atornille el collarín superior del tubo flexible en el vástago del grifo y apriételo a mano (Fig. 3e).

A= Tubo flexible gris
B= Tubería de agua
C= Cable del sensor

Fig. 4

Preparación de la instalación de la placa posterior

Desmonte el conjunto del motor de la placa posterior presionando el gancho de apertura roja de la base y levante hacia arriba como se muestra en la Fig. 4a. Guarde el conjunto del motor de manera segura hasta que sea necesario.

Retire la cubierta del conducto de agua y la cubierta del sistema eléctrico de la placa posterior con un destornillador Torx T15 (Fig. 4b y 4c). Guárdelos de manera segura hasta que sea necesario.

Fig. 5

Instalación de la placa posterior y el tubo flexible

La placa dorsal puede ir colocada de tres maneras: vertical, horizontal a 90° a la izquierda u horizontal a 90° a la derecha. La distancia con respecto al suelo debe ser de 100 mm como mínimo (véase la Fig. 5a).

Asegúrese de que la placa dorsal está colocada de manera que el tubo flexible se pueda acoplar fácilmente.

NO coloque el motor boca abajo con el tubo flexible hacia abajo, tampoco lo coloque por encima del grifo (véase la Fig. 5b).

Marque la situación de la placa dorsal en la pared.

Entrada de los cables

Los cables pueden entrar bien por la base o bien por la pared directamente a la parte posterior de la unidad a través del punto de entrada trasera de cables. Decídalo antes de empezar.

Si elige que la entrada del cableado sea por la base, use alicates para cortar cuidadosamente el panel de salida marcado previamente en la base de la placa posterior. Lime los bordes de la sección de salida hasta que queden uniformes (Fig. 5c).

Entrada del agua

La conexión del agua está hecha en el lado izquierdo de la placa dorsal. La conexión del agua no se puede girar en la placa dorsal (Fig. 5d).

Fig. 6

Instalación de la placa dorsal

Si los cables van a entrar directamente desde la pared a la placa dorsal, tire de los cables eléctricos todo lo que pueda antes de fijar la placa dorsal a la pared.

Fije la placa dorsal a la pared utilizando los herrajes adecuados (Fig. 6).

No utilice tornillos de cabeza avellanada.

Fig. 7

Conexión del cable del sensor

Sujete el tubo flexible a la placa posterior.

Conecte el cable del sensor del tubo flexible al conector de la placa posterior como se muestra en la Fig. 7. Verifique la orientación del conector, las dos pestañas deben estar alineadas. Asegúrese de que el cable esté correctamente ubicado en la placa posterior.

Fig. 8

Conexión de la tubería de agua

Corte el tubo de agua de manera que su largo llegue hasta la línea blanca punteada como se muestra en la Fig. 8a.

Deslice la grapa del tubo flexible (suministrada) sobre el tubo de agua (Fig. 8b).

Quite los 2 tornillos Phillips y desprendá el solenoide de la placa posterior (Fig. 8b).

Acople la tubería de agua al solenoide (Fig. 8c).

Vuelva a fijar el solenoide a la placa posterior y apriete los 2 tornillos (Fig. 8d).

Apriete la grapa del tubo flexible y asegúrese de situar correctamente el cable del solenoide en el canal.

Fig. 9

Conexión del suministro eléctrico

Enrute la alimentación eléctrica a la placa posterior con conductos flexibles o sólidos y accesorios eléctricos homologados. Asegúrese de que el cable sea lo suficientemente largo para conectar al cuadro de terminales instalado en la placa base.

Enrute el cable en la placa base y apriete el collarín del cable.

Pele el cable hasta una longitud adecuada y asegúrese los cables fase y neutros en los puntos correspondientes como se indica en la Fig. 9. Compruebe que las conexiones sean correctas antes de continuar.

Fig. 10

Reinstalación de la cubierta del cuadro eléctrico

Coloque la cubierta del cuadro eléctrico con los 6 accesorios de fijación suministrados y procurando que no queden cables pillados.

Fig. 11

Conexión del suministro de agua combinado

Asegúrese de que el suministro de agua esté completamente vaciado de residuos, depósitos de cobre, etc. antes de conectar a la placa posterior. Si no lo hace puede dañar la válvula de solenoide, lo que hará que no cierre bien y que el grifo gotee.

Conecte el suministro de agua combinado, aislado a la placa posterior.

Abra la llave de paso de agua.

Compruebe si hay fugas en la entrada de agua principal y en la conexión de la tubería de agua con el grifo.

Compruebe también si hay fugas en la conexión del solenoide.

Fig. 12

Encendido

Encienda la unidad.

CICLO DE CALIBRACIÓN: Una vez instalado, el grifo pasará un segundo ciclo de calibración de 30 segundos.

Coloque la mano bajo el sensor del grifo para comprobar si sale agua.

Compruebe que no hay fugas como indica la Fig. 11.

Ajuste la cubierta del conducto de agua en la placa posterior con las dos fijaciones suministradas como se muestra. Fig. 12b.

Fig. 13

Montaje del conjunto del motor

Enganche el motor a la parte superior de la cubierta del sistema eléctrico. Deslícelo hacia abajo hasta que encaje en su lugar, como se muestra en la ilustración. Asegure firmemente Fig. 13a.

OPCIONAL: Se suministra un tornillo para sujetar el botón de apertura rojo e impedir que el conjunto del motor se desacople por accidente.

Compruebe si la unidad funciona correctamente.

Fijación del conjunto del motor a la placa dorsal (opcional).

Para extraer el filtro, utilice un destornillador para soltar con suavidad la lengüeta del filtro, tal y como se muestra en la Fig. 13b.

Fije el conjunto del motor a la placa dorsal utilizando el tornillo de seguridad que se incluye en el lote Fig. 13c.

Reconecte el filtro, asegurándose de que encaje con un clic en su sitio Fig. 13d.

Comprobación de la instalación

Compruebe si el secador de manos funciona correctamente:

- Coloque las manos debajo del centro del grifo y saldrá agua automáticamente mientras mantenga las manos en el lugar.
- Coloque las manos a ambos lados del centro del grifo para activar el secador de manos.
- Mueva las manos de atrás hacia adelante lentamente por la corriente de aire, dándolas la vuelta para que tanto el dorso como la palma queden expuestas a la corriente.

Resolución de problemas

El secador de manos no se activa:

- Revise que el disyuntor y los fusibles estén funcionando y que estén conectados el suministro de agua y eléctrico.
- Asegúrese de retirar la tapa de limpieza y de que los sensores estén limpios y sin obstáculos.
- Conecte y desconecte la unidad.

El secador de manos se activa y desactiva de manera errática.

- Conecte y desconecte la unidad.
- Asegúrese de que no hay ningún enchufe en el lavabo y retírelo si lo hubiera.
- Asegúrese de que los sensores están limpios.
- Compruebe que el cable del sensor del grifo está firmemente conectado.

La función del secador de manos queda a veces interrumpida durante su uso:

- Conecte y desconecte la unidad.
- Asegúrese de que los sensores están limpios.
- Revise que las entradas de aire estén limpias y sin polvo. Si las entradas de aire están sucias, simplemente quite el polvo.
- Asegúrese de que no haya obstáculos en las entradas de aire y que cuenten con suficiente espacio.

El tiempo de secado ha aumentado:

- Revise y quite la suciedad de las entradas de aire.
- Compruebe el filtro y cámbielo si es necesario.
- Asegúrese de que el tubo flexible está firmemente fijado a la base del grifo y que no presenta fugas.

El caudal de aire es más caliente de lo habitual:

- Revise y quite la suciedad de las entradas de aire.
- Compruebe el filtro y cámbielo si es necesario.
- Asegúrese de que el tubo flexible está firmemente fijado a la base del grifo y que no presenta fugas.

Sale aire de manera ininterrumpida:

- Compruebe si hay algún objeto en el lavabo y retire si es necesario.
- Asegúrese de que nada obstaculiza a los sensores y de que están limpios.
- Compruebe el filtro y cámbielo si es necesario.
- Asegúrese de que el tubo flexible está firmemente fijado a la base del grifo y que no presenta fugas.

No sale aire:

- Conecte y desconecte la unidad.
- Compruebe que el fusible/cortacircuitos está funcionando y que la alimentación está conectada.
- Asegúrese de que los sensores están limpios.
- Asegúrese de que el tubo flexible de aire está firmemente fijado a la base del grifo y que no presenta fugas.
- Compruebe que el cable del sensor del grifo está firmemente conectado.

No para de salir agua por el grifo:

- Asegúrese de que nada obstaculiza a los sensores y de que están limpios.

No sale agua por el grifo:

- Asegúrese de que la fuente de alimentación y el suministro de agua están encendidos y que la válvula de aislamiento está abierta.
- Asegúrese de que el aireador no tiene suciedad, retírelo y límpielo o sustitúyalo si fuera necesario.

El agua que sale por el grifo está muy caliente o muy fría.

- Compruebe que la válvula mezcladora está ajustada a la temperatura deseada.
- Si necesita más asistencia o información, llame al servicio de atención al cliente de Dyson o visite en Internet www.dyson.com

FI

Sisältö

Tärkeitä turvallisuusohjeita 93 

Pakkauksen sisältö 94

Tarkistukset ennen asennusta 95

Asennus

Vaiheittaiset ohjeet 97

Asennuksen testaus 99

Vianetsintä 99

TÄRKEITÄ TURVALLISUUSOHJEITA

LUE JA SÄILYTÄ NÄMÄ OHJEET

**ENNEN LAITTEEN ASENNUSTA TAI KÄYTTÖÄ ON LUETTAVA
KAIKKI TÄMÄN ASENNUSOPPAAN SEKÄ KÄYTTÖOHJEEN
SISÄLTÄMÄT OHJEET JA VAROITUSMERKINNÄT.**

VAROITUS

KAIKKI ASENNUS- JA KORJAUSTYÖT (PUTKISTO- JA SÄHKÖTYÖT)
SAA SUORITTA A VAIN PÄTEVÄ ASENTAJA TAI DYSONIN
HUOLTOINSINÖÖRI VOIMASSA OLEV IEN PAIKALLISTEN
MÄÄRÄYSTEN JA SÄÄDÖSTEN MUKAISESTI.

VAROITUS

SÄHKÖISKUN VAARA!

JOS KOTELO IRROTETAAN TAI SITÄ KÄSITELLÄÄN
VAROMATTOMASTI, LAITTEEN SISÄLLÄ OLEVAT OSAT VOIVAT
AIHEUTTAA VAHINKOA TAI VAURIOITUA PYSYVÄSTI.

TÄMÄ LAITE ON MAADOITETTAVA TULIPALON, SÄHKÖISKUN JA
HENKILÖVAHINKOJEN VAARAN VÄHENTÄMISEKSI.

Ennen asennustyön aloittamista on varmistettava seuraavat asiat.

- Varmista, että verkkovirran jännite vastaa laitteen arvokilven merkintöjä.
- Kaikkien napojen irrotusmahdollisuus täytyy sisällyttää kiinteisiin johdotuksiin paikallisten johdotusmääräysten mukaisesti.
- Yhdistä sähkönjakelu sopivaa suoja putkea ja sähkökiinnikkeitä käyttämällä. Varmista, että suoja putki ja johdot ovat tarpeeksi pitkiä,

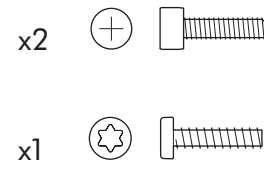
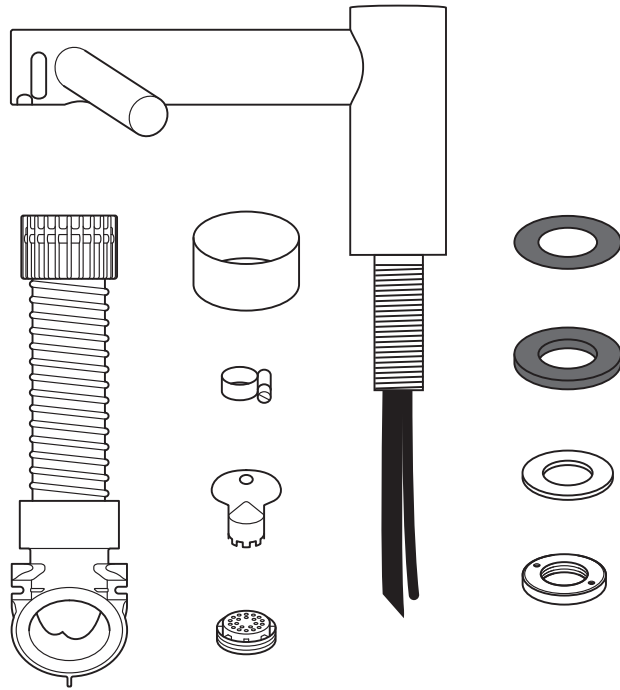
jotta ne yltyvät taustalevyyn ja pääterasiaan. Kiinteä metallinen suoja putki ei sovellu sivulta yhdistämiseen.

VAROITUS

Ole varovainen, kun avaat komponenttien pakkauksia. Niissä voi olla teräviä reunoja/kulmia, jotka saattavat viiltää tai vahingoittaa.

**ÄLÄ KÄYTÄ PAINEPESURIA LAITTEEN TAI SEN
LÄHIYMPÄRISTÖN PUHDISTAMISEEN**

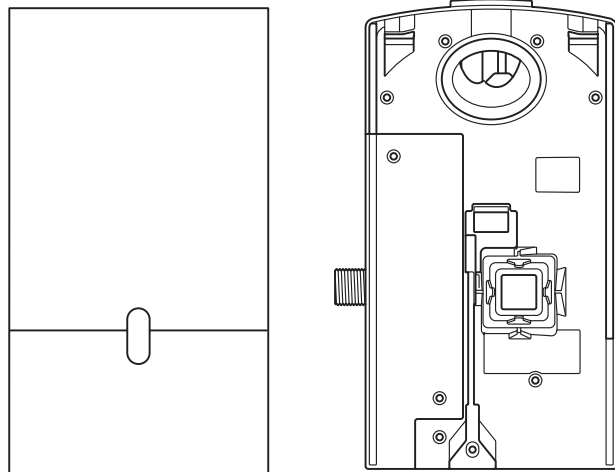
Pakkauksen sisältö



Tarvittavat työkalut:

- Pieni Phillips-ruuviavain
- 7 mm:n ruuviavain
- 2,5 mm:n uritettu ruuviavain
- Torx-ruuviavain T15
- Mittanauha ja lyijykynä
- Käsipora
- Sopiva poran terä
- Pihdit/kuorintapihdit
- Puukko
- Jakoavain

FI



Tarkistukset ennen asennusta

Kuva A

Suunnittelu ennen asennusta

Dyson Airblade Wash+Dry -käsienkuivain on suunniteltu niin, että moottoriyksikkö on kiinnitetty seinään pesualtaan alle.

[Kuva A \(i\)](#).

Letkun suodattimen tarkoituksena on välttää vauriot, jotka saattaisivat vaikuttaa takuuseen.

- Jätä riittävästi tilaa asentamista ja huoltamista varten, katso [Kuva A\(ii\)](#).
- Tämä laite on suunniteltu ainoastaan kuiviin sisätiloihin.
- Asianmukaisia asennusohjeita on paikallisissa ja kansallisissa laitteeseen pääsyä koskeissa määräyksissä ja säädöksissä. Määräysten noudattaminen ja asennuksen säädösten mukaisuus on asentajan vastuulla. Varmista, että laite asennetaan mukana toimitettua johtoa, johtosuojusta ja metallikoteloä käyttäen.
- Kaikkien napojen irrotusmahdollisuus täytyy sisällyttää kiinteisiin johdotuksiin paikallisten johdotusmääräysten mukaisesti.
- Eristä sähkön- ja vedensyöttö ennen asennusta tai huoltoa.
- Tarkista, ettei poraus-/kiinnityskohdan takana ole putkia (kaasu, vesi, ilmastointi), sähkökaapeleita, johtoja tai kanavia.
- Dyson suosittelee käyttämään suojavaatteita, -laseja ja -materiaaleja asennuksen/korjauksen aikana tarpeen mukaan.
- Tämä laite on tarkoitettu liitettäväksi pysyvästi vesijohtoverkkoon.

Käyttö ruoanvalmistustiloissa

Ruoanvalmistusympäristöt edellyttävät erityistä asennusta, jossa moottorin kehikon ja letkun on oltava täysin puhdistettavan kotelon sisäpuolella tai jossa moottorin kehikon on oltava seinän vastakkaisella puolella, jossa alapuolelta tapahtuvaan (soveltuvin osin) puhdistukseen on riittävän suuri vällys ja jossa yksikkö on vähintään 2,5 metrin etäisyydellä suojaamattomasta ruoasta tai suojaamattoman ruoan kanssa kosketuksiin joutuvista pinnoista.

Katso allassuositukset osoitteesta www.dyson.com ennen asennusta.

Kuva B

Altaan teknisten tietojen ohjeet

Dysonin insinöörit testasivat erilaisia altaita tätä varten erityisesti laaditulla testausmenetelmällä ja arvioivat altaiden yhteensopivuuden Dyson Airblade Wash+Dry -käsienkuivaajan kanssa. Katso suositellut altaat osoitteesta www.dyson.com.

Ihanteellisia ovat posliinista ja harjatusta metallista valmistetut altaat. Altaita, joissa on voimakkaasti kiillotettu pinta, kuten heijastava kromipinta, on vältettävä. Katso altaan vähimmäismitat [Kuvasta B](#).

Kuva C/D/E

Hanan asennus

Etäisyyden altaan yläreunasta hanan keskelle on oltava vähintään 100 mm ja enintään 155 mm. [Kuva C](#).

Etäisyyden hanan keskeltä sivuseinään on oltava vähintään 290 mm. Kun asennetaan useita hanoja vierekkäin, hanojen etäisyyden toisistaan on oltava hanan keskeltä mitattuna vähintään 580 mm. Näin jää riittävästi tilaa moottorikotelon asentamiseen sekä riittävästi hartiatilaa käyttäjille. [Kuva D](#).

Älä aseta hanan alaspäin osoittavaa vesitunnistinta heijastavan pinnan, kuten viemäriaukon, yläpuolelle. [Kuva E](#).

Kuva F

Saippua ja saippua-annostelijan sijoittaminen

Parhaan käyttökokemuksen tuottamiseksi Dyson suosittelee geelisaippuuita.

Infrapunatunnistus, joka käynnistää ilmapirtauksen, sijaitsee hanan haarojen kohdalla. Vahingossa käynnistymisen estämiseksi on tärkeää miettiä, mitä reittiä käyttäjän käsi kulkee saippua-annostelijalle.

Annostelija on sijoitettava vähintään 60 mm hanan leveyttä kauemmaksi, jolloin käyttäjä vie käden annostelijalle hanan sivuitse.

Annostelija on myös sijoitettava vähintään 60 mm hanan haarojen yläpuolelle, jotta tunnistimet eivät aktivoidu.

Huomaa, että käyttäjä voi ojentaa käden kohti saippuaa myös diagonaalisesti, joten tämäkään reitti ei saa kulkea tunnistusalueen läpi.

Kuva G/H

Veden pois valuminen

Koska nopea ilmavirta ja vesi kulkevat lähekkäin, on mahdollista, että vettä ja

saippuaa roiskuu altaan mittojen ulkopuolelle. Tämän vähentämiseksi on suositeltavaa noudattaa seuraavia ohjeita.

Pohjan profiili

Pohjan tasainen profiili johtaa veden heikkoon pois valumiseen ja suureen roiskemäärään. Jotta vesi valuu pois tehokkaammin, vältä altaita, joiden pohja on tasainen. Kiinnitä huomiota erityisesti viemäriaukon lähialueeseen vähintään 60 mm:n säteellä. [Kuva G](#).

Vähintään 6° kulma (vähintään 60 mm säteellä) altaan viemäriaukon reunasta saa veden valumaan tehokkaasti pois ja vähentää roiskumista. [Kuva H](#).

Kuva I/J/K

Pohjan ja etu-/takareunan kulma

Pohjan ja etu-/takareunan kulma on myös huomioitava. Siirtymän takareunaan on oltava mahdollisimman teräväkulmainen, niin lähellä 90°:tta kuin mahdollista. [Kuva I](#). Kaarevuus lisää todennäköisemmin roiskumista, ja kaltevia etu- ja takareunoja on vältettävä. [Kuva J/K](#).

Kuva L

Viemäriaukko

On suositeltavaa valita mahdollisimman avoin viemäriaukko. Ristikoituja ja reiällisiä viemäriaukkoja on vältettävä, sillä ne rajoittavat saippuaveden (vaahdon) pois valumista. Älä käytä tulppia altaiden viemäriaukoilla.

Kuva M

Vedenlämpötilan ohjaus

Jos kytketään sekä kuumaa että kylmää vettä, on asennettava sekoitusventtiili. Jos kytkentä tehdään vain kylmän veden syöttöön, on asennettava lämmitin. Tuotteen vedentulojärjestelmään on asennettava lämpötilan säädin paikallisten määräysten mukaisesti.

A= sekoitusventtiili

B= kuumaa ja kylmää vettä

C= haluttu lämpötilan lähtö

D= eristysventtiili

E= lämmitin

F= kylmän veden tulo

Lisätietoja

Asennus

Älä käytä tiivisteitä, kun kiinnität yksikön seinään.

Varmista, että sähkö-, tulovesi- ja tyhjennysliitännät ovat käytettävissä. Ennen asennusta tai huoltoa sähköä ja veden syöttöä on katkaistava ja niiden päälle kytkeminen estettävä asianmukaisesti.

Sähkö

Tulojännite ja -taajuus: katso arvokilpi.

Eristettävä asianmukaisesti kytkinsulakkeella tai jäännösvirtalaitteella.

Virta 6,6 A.

Kaapelin tiedot: Kaksisäikeinen PVC + yksi- säikeinen PVC (maa).

Tuotetta asennettaessa tai korjattaessa on noudatettava paikallisia sähkömääräyksiä.

Nimellisteho: katso arvokilpi.

Käyttölämpötila-alue: 0–40 °C.

Tehonkulutus valmiustilassa:

alle 0,5 W.

Enimmäiskorkeus merenpinnasta:

2 000 metriä.

Veden käyttö

Veden virtausnopeus: 4 l/min, normaali asennettu ilmastin. 1,9 l/m, tuotteen mukana toimitettu pienivirtauksinen ilmastin.

Tarvittava vedenpaine: 1–8 bar. 1/2 tuuman eristetty BSP-venttiili tarvitaan huoltoon.

Pitä toinen kuumaa vettä paluu mahdollisimman lähellä sekoitinventtiiliä legionella-bakteerikasvun riskin vähentämiseksi.

Automaattinen huuhtelu

Yksikkö on ohjelmoitu tekemään automaattinen huuhtelu yhden minuutin ajan 24 h viimeisen käyttökerran jälkeen.

Tällä estetään veden seisomista ja bakteerien kertymistä tuotteeseen.

Varmista aina, että viemäröinti on toiminnassa ja yksikkö asennettu altaan ylle.

Vedensyötön puhtaus ja biologinen kasvu

Joissakin maissa on määräyksiä tai ohjeita, joissa vaaditaan, että vedensyöttöjärjestelmät, joissa on lämpötilaohjaus, (kuten Dyson Airblade Wash+Dry -käsienkuivaimen mukana toimitettava järjestelmä) on puhdistettava säännöllisesti biologisen kasvun minimoimiseksi. Dyson Airblade Wash+Dry -käsienkuivain on suunniteltu ja testattu niin, että se kestää sisäisen puhdistuksen enintään 95 °C kuumalla vedellä ja 0,45-prosenttisella natriumhypokloriitilla.

Katso tietoa veden syötön puhtauteen ja biologiseen kasvuun liittyvistä puhdistusvaatimuksista oman maasi määräyksistä ja vedensyöttöjärjestelmiä koskevista suosituksista.

Kun puhdistat Dyson Airblade Wash+Dry -käsienkuivaimen sisäosia, ota huomioon kuumaa vettä ja kemikaalien käyttöön liittyvät turvallisuusseikat. Dyson ei ole vastuussa tämän toimenpiteen aiheuttamista henkilövahingoista.

Ankara testaus

Dyson Airblade Wash+Dry -käsienkuivain on testattu perusteellisesti niin, että se kestää kaupallisille ja julkisille saniteettitiloille tyypilliset merkittävät voimat ja iskut.

Vaiheittaiset ohjeet

Kuva 1

Asetus

Aseta hana altaan keskelle, katso [Kuva 1](#).

Leikkaa halkaisijaltaan 35 mm:n reikä työtasoon tarvittaessa.

Kuva 2

Hanan asennus

Liu'uta 1 mm:n kumitiiviste hanan istukkaan. [Kuva 2a](#).

Vie hanan istukka ja liitetty vesiputki sekä yhteyskaapeli työtason reiän läpi. Varmista, että 1 mm:n kumitiiviste asettuu hanan alle tasaisesti.

Varmista, että hana on oikeassa kohdassa altaan yläpuolella.

Liu'uta 3,5 mm:n kumitiiviste hanan istukkaan.

Aseta ruuvit messinkisiin lukitusrenkaiisiin ja kiristä hieman, jotta ne pysyvät paikoillaan.

Aseta metallinen aluslevy hanan istukkaan.

Ruuvaa messinkinen lukkomutteri hanan istukkaan niin, että metallisen aluslevyn ja messinkisen lukkomutterin väliin jäävä rako on enintään 5 mm.

Kiristä ruuvit messinkisen lukkomutterin läpi metalliseen aluslevyyn käsikireydelle.

A= 1 mm:n kumitiiviste
B= hanan istukka
C= vesiputki
D= tunnistinkaapeli
E= 3,5 mm:n tiiviste
F= Metallinen aluslevy
G= Messinkinen lukkomutteri
H= 2 ruuvia

Kuva 3

Letkun asennus

Liu'uta harmaa letku ylös vesiputken ja tunnistinkaapelin yli. [Kuva 3a](#).

Vie vesiputki letkun vasemman poistoaukon läpi, kuten [Kuvassa 3b](#).

Vedä vesiputkea varovasti pihdeillä valkoiseen yhtenäiseen viivaan asti. [Kuva 3c](#).

Varmista, että vesiputken kumitiiviste asettuu tiukasti letkuun ja että se on ilmatiivis. [Kuva 3b](#).

Vie tunnistinkaapeli oikean poistoaukon läpi kevyesti vetäen kaapelia syöttäessäsi. [Kuva 3b](#). ÄLÄ käytä pihtejä, sillä ne saattavat vahingoittaa sähköliitäntöjä. [Kuva 3c](#). Varmista, että kaapelin kumitiiviste asettuu tiukasti letkuun ja että se on ilmatiivis. [Kuva 3d](#). Asennuksessa voidaan käyttää apuna silikonirasvaa.

Ruuvaa ylempi letkun kaulus hanan istukkaan ja kiristä käsin. [Kuva 3e](#).

A= harmaa letku
B= vesiputki
C= tunnistinkaapeli

Kuva 4

Taustalevyn asennuksen valmistelu

Irrota moottorikotelo taustalevystä painamalla pohjassa olevaa punaista vapautusvipua ja nostamalla sitä ylöspäin. [Kuva 4a](#). Säilytä moottorikotelo turvallisessa paikassa, kunnes sitä tarvitaan.

Irrota vesijohdon suoja ja sähkökotelo taustalevystä Torx T15 -ruuvimeisselillä. [Kuva 4b ja 4c](#). Säilytä niitä turvallisessa paikassa kiinnittimien kanssa, kunnes niitä tarvitaan.

Kuva 5

Taustalevyn ja letkun asentaminen

Taustalevy voidaan asettaa kolmella eri tavalla: pystysuoraan tai 90 asteessa vaakasuoraan vasemmalle tai oikealle. Etäisyyden lattiaan tulee olla vähintään 100 mm. [Kuva 5a](#).

Aseta taustalevy siten, että letku ylettyy siihen.

ÄLÄ aseta moottoria ylösalaisin letku alaspäin tai hanan yläpuolelle. [Kuva 5b](#).

Merkitse taustalevyn paikka seinään.

Kaapelin sisäänvienti

Kaapelin sisäänvienti voi olla joko pohjasta tai seinästä suoraan yksikön taakse takana olevan kaapelin sisäänvientikohdan kautta. Päätä sisäänvientikohta ennen kuin aloitat.

Jos kaapelin sisäänvienti on pohjasta, irrota taustalevyn pohjassa oleva merkitty irrotettava osio varovasti pihdeillä. Hio irrotettavan osion reunat sileiksi. [Kuva 5c](#).

Veden sisäänvienti

Vesiliitäntä tehdään taustalevyn vasemmalle puolelle. Vesiliitäntää ei voi kiertää taustalevyssä. [Kuva 5d](#).

Kuva 6

Taustalevyn asennus

Jos kaapelin sisäänvienti on suoraan seinästä taustalevyn, vedä sähkökaapeli läpi ennen kuin kiinnität taustalevyn seinään.

Kiinnitä taustalevy seinään asianmukaisilla kiinnikkeillä. [Kuva 6](#).

Älä käytä uppokantaruuveja.

Kuva 7

Tunnistinkaapelin kytkeminen

Kiinnitä letku taustalevyn.

Liitä tunnistinkaapeli taustalevyn letkuun ja liittimeen, kuten [Kuvassa 7](#). Tarkista liittimen suuntaus. Kielekkeiden on oltava samalla tasolla. Varmista, että kaapeli on viety oikein taustalevyn.

Kuva 8

Vesiputken yhdistäminen

Leikkaa vesiputki valkoisen katkoviiva-alueen kokoiseksi kuten [Kuvassa 8a](#).

Liu'uta letkun kiinnitin (mukana pakkauksessa) vesiputkeen. [Kuva 8b](#).

Irrota kaksi Phillips-ruuvia ja irrota solenoidi taustalevystä. [Kuva 8b](#).

Kiinnitä vesiletku solenoidiin. [Kuva 8c](#).

Kiinnitä solenoidi takaisin taustalevyyn ja kiristä molemmat ruuvit. [Kuva 8d](#).

Kiristä letkun kiinnitin ja varmista, että solenoidikaapeli on asetettu oikein kanavaan.

Kuva 9

Sähkönsyötön kytkeminen

Vie sähkönsyöttö taustalevyyn hyväksytyä taipuisaa tai umpinaista suojaputkea ja kiinnikkeitä käyttämällä. Varmista, että virtakaapeli on tarpeeksi pitkä, jotta se yltää taustalevyyn asennettuun jakorasiaan.

Vie kaapeli taustalevyyn ja kiristä kaapeliliitin.

Kuori kaapelia sopiva määrä ja kiinnitä virtajohdin ja nollajohdin vastaaviin paikkoihin jakorasiaan kuten [Kuvassa 9](#). Ennen kuin jatkat, varmista kaapeleiden oikeat paikat.

Kuva 10

Kokoa sähkökotelo uudelleen

Kiinnitä sähkökotelo 6:lla mukana toimitetulla kiinnittimellä ja varmista, ettei johtimia jää puristuksiin.

Kuva 11

Sekoitetun veden syötön liittäminen

Varmista ennen taustalevyyn tehtävää kytkentää, että vedensyöttö on huuhdeltu täysin puhtaaksi jätteestä, kuparilastuista yms. Jos näin ei tehdä, solenoidiventtiili saattaa vaurioitua, jolloin sitä ei suljeta asianmukaisesti, ja tuloksena on vuotava hana.

Liitä eristetty sekoitetun veden syöttö taustalevyyn.

Kytke vesi päälle.

Tarkasta päävedenjakelun tulo sekä vesiputken ja hanan liitännät vuotojen varalta.

Tarkista myös, ettei solenoidiliitännä vuoda.

Kuva 12

Virran kytkeminen

Kytke laitteeseen virta.

KALIBROINTIJAKSO: Kun hana on asennettu, se käy läpi 30 sekunnin kalibrointijakson.

Aktivoi vedentulo asettamalla käsi hanan tunnistimen alapuolelle. [Kuva 12a](#).

Tarkista vuodot [Kuvassa 11](#) esitetyllä tavalla.

Kiinnitä vesijohdon suoja taustalevyyn kahdella mukana toimitetulla kiinnittimellä kuten kuvassa. [Kuva 12b](#).

Kuva 13

Moottorikotelon kokoaminen.

Kiinnitä moottori sähkökotelon päälle. Käännä sitä alaspäin niin, että se napsahtaa paikalleen kuvan mukaisesti. Työnnä se pitävästi paikalleen [Kuva 13a](#).

VALINNAISTA: Ruuvi toimitetaan punaisen vapautuspainikkeen kiinnittämiseksi ja moottorin kauhan ei-toivotun poiston estämiseksi.

Tarkista, että laite toimii oikein.

Moottorikotelon kiinnittäminen taustalevyyn (lisävaruste).

Poista suodatin vapauttamalla suodattimen salpa varovasti ruuvimeisselillä kuvassa esitetyllä tavalla. [Kuva 13b](#).

Kiinnitä moottorikotelo taustalevyyn mukana toimitetulla kiinnitysruuvilla. [Kuva 13c](#).

Aseta suodatin takaisin paikoilleen niin, että se napsahtaa. [Kuva 13d](#).

Asennuksen testaus

Testaa, toimiiko käsienkuivain normaalisti:

- Aseta kätesi hanan keskikohdan alapuolelle. Vesi virtaa automaattisesti niin kauan kuin pidät käsiä hanan alla.
- Käynnistä käsienkuivain asettamalla kätesi hanan keskikohdan jommallekummalle puolelle.
- Liikuta käsiä hitaasti eteen- ja taaksepäin ilmavirrassa. Käännä käsiä niin, että molemmat puolet altistuvat ilmavirralle.

Vianetsintä

Käsienkuivain ei käynnisty:

- Tarkista, että sulake/katkaisin toimivat ja että sähkön- ja vedenjakelu on kytketty.
- Varmista, että puhdistussuoja on poistettu ja että tunnistimet ovat puhtaat ja esteettömät.
- Kytke laitteen virta pois ja päälle.

Käsienkuivain käynnistyy ja sammuu satunnaisesti.

- Kytke laitteen virta pois ja päälle.
- Varmista, ettei altaassa ole tulppaa tai poista se.
- Tarkista, että tunnistimet ovat puhtaat.
- Tarkista, että hanan tunnistinkaapeli on kytketty oikein.

Käsienkuivain sammuu toisinaan kesken käyttöä:

- Kytke laitteen virta pois ja päälle.
- Tarkista, että tunnistimet ovat puhtaat.
- Tarkista, että ilmanottoaukot ovat puhtaita ja pölyttömiä. Jos ilmanottoaukot ovat pölyisiä, puhdista ne.
- Tarkista, että ilmanottoaukot ovat esteettömiä ja että niillä on riittävä etäisyys ympäristöstä.

Kuivausaika on pidentynyt:

- Tarkista, että ilmanottoaukot ovat puhtaita ja irrota ne.
- Tarkista suodatin ja vaihda tarvittaessa.
- Tarkista, että letku on kiinnitetty hanan kantaan oikein ja että vuotoja ei esiinny.

Ilmavirta on tavallista kuumempaa:

- Tarkista, että ilmanottoaukot ovat puhtaita ja irrota ne.
- Tarkista suodatin ja vaihda tarvittaessa.
- Tarkista, että letku on kiinnitetty hanan kantaan oikein ja että vuotoja ei esiinny.

Ilmaa virtaa jatkuvasti:

- Tarkista, onko altaassa esineitä ja poista tarvittaessa.
- Tarkista, että tunnistimet ovat puhtaat ja esteettömät.
- Tarkista suodatin ja vaihda tarvittaessa.
- Tarkista, että letku on kiinnitetty hanan kantaan oikein ja että vuotoja ei esiinny.

Ilma ei virtaa:

- Kytke laitteen virta pois ja päälle.
- Tarkista, että sulake/katkaisin toimivat ja että virta on kytketty.
- Tarkista, että tunnistimet ovat puhtaat.
- Tarkista, että ilmaletku on kiinnitetty hanan kantaan oikein ja että vuotoja ei esiinny.
- Tarkista, että hanan tunnistinkaapeli on kytketty oikein.

Hanasta virtaa vettä jatkuvasti:

- Tarkista, että tunnistimet ovat puhtaat ja esteettömät.

Hanasta ei tule vettä:

- Tarkista, että sähkön- ja vedenjakelu ovat päällä ja että eristysventtiili on auki.
- Tarkista, että ilmastuslaitteessa ei ole roskia, poista ja puhdista/vaihda tarvittaessa.

Hanasta tuleva vesi on liian kuumaa tai kylmää.

- Tarkista, että sekoitusventtiili on säädetty haluttuun lämpötilaan.

Saat lisää tukea ja tietoa ottamalla yhteyttä Dysonin asiakaspalveluun tai osoitteesta www.dyson.com

FR/BE/CH/LU

Sommaire

Consignes de sécurité importantes 101 

Dans la boîte 102

Vérifications préalables à l'installation 103

Dépannage

Procédure étape par étape 105

Test de l'installation 107

Dépannage 107

CONSIGNES DE SÉCURITÉ IMPORTANTES

LIRE ET CONSERVER CES CONSIGNES

AVANT D'INSTALLER OU D'UTILISER CET APPAREIL, LISEZ TOUTES LES INSTRUCTIONS ET LES MISES EN GARDE FIGURANT DANS CE GUIDE D'INSTALLATION ET DANS LE MODE D'EMPLOI.

AVERTISSEMENT

TOUTE INSTALLATION OU RÉPARATION (PLOMBERIE ET SYSTÈME ÉLECTRIQUE) DOIT ÊTRE RÉALISÉE PAR UNE PERSONNE QUALIFIÉE OU PAR UN TECHNICIEN DE MAINTENANCE DYSON CONFORMÉMENT À LA RÉGLEMENTATION OU AUX CODES LOCAUX EN VIGUEUR.

AVERTISSEMENT

RISQUE DE DÉCHARGE ÉLECTRIQUE !

SI LE BOÎTIER EST RETIRÉ OU MANIPULÉ DE FAÇON INCORRECTE, LES COMPOSANTS INTERNES DE L'APPAREIL PEUVENT PROVOQUER DES BLESSURES OU ÊTRE ENDOMMAGÉS DE MANIÈRE IRRÉVERSIBLE.

POUR LIMITER LE RISQUE D'INCENDIE, DE DÉCHARGE ÉLECTRIQUE OU DE BLESSURES, L'APPAREIL DOIT ÊTRE RELIÉ À LA TERRE. VEUILLEZ RESPECTER CE QUI SUIT :

Avant toute installation, confirmez que les conditions suivantes sont remplies.

- Vérifiez que l'alimentation électrique correspond à celle indiquée sur la plaque signalétique.

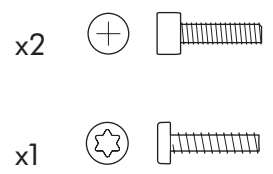
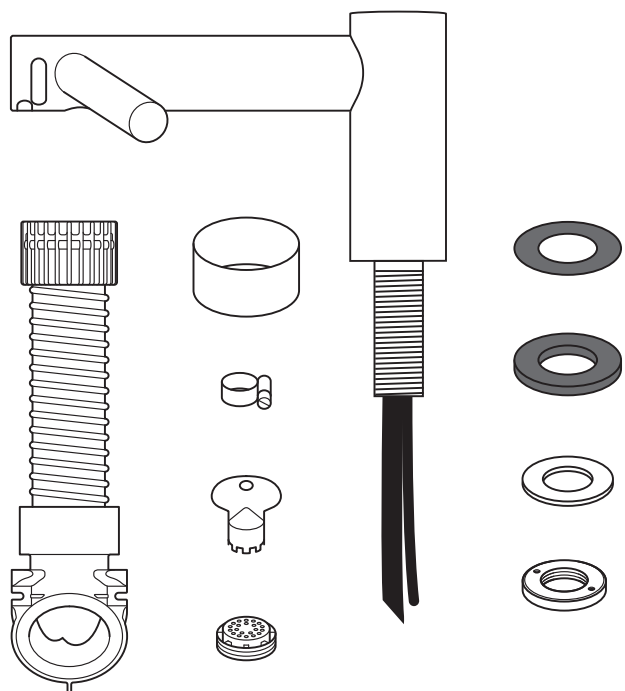
- Un moyen de déconnexion omnipolaire doit être intégré au câblage fixe, conformément à la réglementation locale en matière de câblages.
- Connectez l'alimentation électrique à l'aide d'un conduit et de raccords électriques adaptés. Assurez-vous que le conduit et les fils sont suffisamment longs pour atteindre la plaque arrière et le bornier. Un conduit en métal solide ne convient pas pour une entrée par le côté.

AVERTISSEMENT

Faites preuve de prudence lors du déballage des composants. Les bords et coins tranchants peuvent couper ou provoquer des blessures.

N'UTILISEZ PAS D'OUTIL DE LAVAGE HAUTE PRESSION POUR NETTOYER L'APPAREIL OU SES ABORDS IMMÉDIATS.

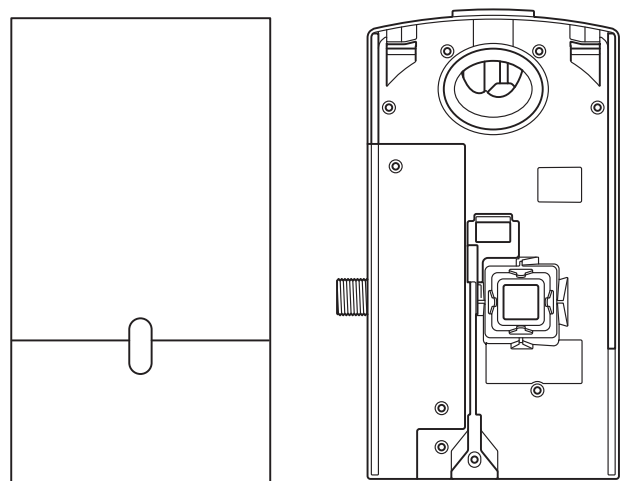
Dans la boîte



Outils requis :

- Petit tournevis cruciforme
- Tournevis pour écrous à fente 7 mm
- Tournevis pour écrous à fente de 2,5 mm
- Clé Torx T15
- Mètre ruban et crayon
- Perceuse à main
- Mèche adaptée
- Pince / pince à dénuder
- Couteau
- Clé à molette

FR
BE
CH
LU



Vérifications préalables à l'installation

Fig. A

Préparation à l'installation

Le sèche-mains Dyson Airblade Wash+Dry est conçu de telle sorte que le moteur est fixé au mur et situé sous la vasque (voir [figure A\(i\)](#)).

L'installation d'un filtre de série est conseillée pour éviter tout dommage pouvant avoir des répercussions sur votre garantie.

- Prévoyez un espace suffisant pour l'installation et l'entretien (voir [figure A\(ii\)](#)).
- L'appareil est conçu pour être installé uniquement dans un endroit sec, à l'intérieur.
- Consultez la réglementation et les codes d'accessibilité locaux et nationaux pour connaître les recommandations applicables en matière d'installation. Il revient à la personne procédant à l'installation de s'y conformer et de les respecter. Assurez-vous que l'appareil est installé conformément à l'ensemble des codes du bâtiment et/ou de la réglementation.
- Un moyen de déconnexion omnipolaire doit être intégré au câblage fixe, conformément à la réglementation locale en matière de câblages.
- Isolez l'alimentation en électricité et en eau avant toute installation ou entretien.
- Assurez-vous qu'aucune canalisation (gaz, eau, air) et aucun fil ou câble électrique n'est situé directement derrière la zone de montage/perçage.
- Dyson recommande le port de vêtements, lunettes et équipements de protection lors de l'installation/des réparations selon le besoin.

- Cet appareil est prévu pour être raccordé en permanence au réseau de distribution d'eau.

Utilisation dans des zones de préparation des aliments

Une installation spéciale est requise dans les zones de préparation alimentaire. Le bloc moteur et le flexible doivent alors être complètement enfermés dans un boîtier nettoyable ou le bloc moteur doit être placé de l'autre côté de la paroi, l'espace au-dessous doit être suffisant pour permettre le nettoyage (le cas échéant) l'appareil doit être situé à au moins 2,5 mètres de toute nourriture non couverte ou de toute surface non couverte en contact avec des aliments.

Avant l'installation, consultez les recommandations en matière de vasques sur le site www.dyson.fr.

Fig. B

Recommandations relatives aux caractéristiques du lavabo

Les ingénieurs Dyson ont testé, à l'aide d'une méthode spécialement conçue pour l'occasion, une large variété de vasques afin d'évaluer leur compatibilité avec le sèche-mains Dyson Airblade Wash+Dry. Pour connaître les vasques recommandées, veuillez consulter notre guide sur le site www.dyson.fr.

L'idéal est d'utiliser une vasque en porcelaine ou en métal brossé. Évitez les vasques à surfaces hautement polies comme le chrome brillant. Pour les dimensions minimales de la vasque, reportez-vous à la [Fig. B](#).

Fig. C/D/E

Montage du robinet

La distance entre le haut de la vasque et le centre du robinet doit être de 100 mm minimum et de 155 mm maximum. [Fig. C](#).

La distance minimale entre le centre du robinet et les parois latérales doit être de 290 mm. En cas d'installation de plusieurs robinets les uns à côté des autres, la distance minimale entre les centres des robinets doit être de 580 mm afin de laisser suffisamment d'espace pour le bloc moteur et entre les utilisateurs. [Fig. D](#).

Ne placez pas le capteur d'eau du robinet tourné vers le bas au-dessus d'une surface réfléchissante, comme l'orifice d'écoulement. [Fig. E](#).

Fig. F

Savon et emplacement du distributeur de savon

Pour une expérience optimale, Dyson recommande l'utilisation d'un gel nettoyant.

La zone de détection infrarouge pour l'activation de l'air s'étend le long de chaque branche du robinet. Pour éviter toute activation accidentelle, il est important de tenir compte de la trajectoire de la main de l'utilisateur jusqu'au distributeur de savon.

Le distributeur doit se trouver à au moins 60 mm en partant de l'extrémité du robinet

afin que l'utilisateur y accède en contournant la branche du robinet.

Il doit également être placé à au moins 60 mm au-dessus des branches pour éviter toute activation des capteurs.

Veillez noter qu'il est possible que l'utilisateur dirige la main vers le savon en suivant une trajectoire diagonale, qui doit rester en dehors de la zone de détection.

Fig. G/H

Écoulement de l'eau

En raison de la proximité du flux d'air à haute vitesse et de l'eau, il y a risque de dispersion d'eau et de savon en dehors du périmètre du lavabo. Pour limiter cet effet, nous vous recommandons de suivre les instructions suivantes.

Profil de la base

Un profil de base plat entraîne un écoulement inadéquat, qui augmente le niveau d'éclaboussures. Pour améliorer l'écoulement, évitez les lavabos à fond plat, en particulier dans la zone entourant immédiatement l'orifice d'écoulement, sur un rayon d'au moins 60 mm. [Fig. G](#).

Un angle minimal de 6° depuis le bord de l'orifice d'écoulement du lavabo permettra un bon écoulement, ce qui limitera le niveau d'éclaboussures (rayon de 60 mm minimum). [Fig. H](#).

Fig. I/J/K

Transition entre la base et les parois arrière et avant

La transition entre la base et les parois arrière et avant doit également être prise en compte. L'angle de la base avec la paroi arrière doit être aussi proche de 90° que possible et aussi carré que possible. Fig. I. Une forme courbe risque d'augmenter le niveau d'éclaboussures, Fig. J, et il convient d'éviter les parois en pente, Fig. K.

Fig. L

Orifice d'écoulement

Les orifices présentant la plus grande ouverture possible sont recommandés, tandis que les orifices de type grille ou perforés doivent être évités car ils limitent l'écoulement de l'eau savonneuse. N'utilisez pas de bouchon dans les orifices d'écoulement des lavabos.

Fig. M

Contrôle de la température de l'eau

En cas de connexion à une alimentation en eau chaude et en eau froide, vous devez installer un mitigeur.

En cas de connexion à une alimentation en eau froide uniquement, vous devez installer un dispositif de chauffage.

L'alimentation en eau de ce produit doit être équipée d'un dispositif de contrôle de la température conforme à la réglementation locale.

A= Mitigeur

B= Arrivée d'eau chaude et d'eau froide

C= Température de sortie souhaitée

D= Vanne d'isolement

E= Dispositif de chauffage

F= Arrivée d'eau froide

Informations supplémentaires

Installation

N'utilisez pas de mastic lors de la fixation de l'unité au mur.

Assurez-vous qu'il est possible de se raccorder à l'alimentation en électricité et en eau mitigée, ainsi qu'aux canalisations d'évacuation. Prévoyez une isolation adaptée de l'alimentation en électricité et en eau pour pouvoir la couper avant l'installation et lors des entretiens.

Caractéristiques électriques

Tension d'entrée/fréquence : reportez-vous à la plaque signalétique.

Isolé par une prise équipée d'un fusible ou un DDF, selon le cas.

Courant 6,6 A.

Caractéristique du câble : double cœur PVC + simple cœur PVC (terre)

L'installation et la réparation du produit doivent être conformes à la réglementation électrique locale.

Puissance nominale : reportez-vous à la plaque signalétique.

Plage de températures de fonctionnement : 0-40 °C.

Consommation en veille : moins de 0,5 W.

Altitude maximale : 2 000 mètres.

Caractéristiques de l'alimentation en eau

Débit de l'eau : 4 L/min avec aérateur standard. 1,9 L/m avec l'aérateur bas débit fourni avec le produit.

Pression d'eau requise : 1-8 bar. Vanne d'isolement BSP 1/2" requise pour les entretiens.

Maintenez la conduite de retour d'eau chaude secondaire le plus près possible du mitigeur pour réduire le risque de prolifération des légionelles.

Rinçage automatique

L'appareil est équipé d'un système de rinçage automatique fixe qui s'active pendant 60 secondes, 24 heures après la dernière utilisation. Cette fonction permet de réduire la stagnation d'eau et la prolifération de bactéries dans le produit.

Veillez vous assurer que l'appareil est toujours installé au-dessus d'une cuvette fonctionnelle avec une évacuation libre et reliée au réseau.

Propreté de l'alimentation en eau et qualité biologique

Dans certains pays, des réglementations ou recommandations exigent que les systèmes d'alimentation en eau à température contrôlée (tels que celui du sèche-mains Dyson Airblade Wash+Dry) soient soumis à des nettoyages réguliers pour limiter toute croissance bactérienne. Pour vous permettre d'être conforme à cette réglementation, le sèche-mains Dyson Airblade Wash+Dry a été conçu et testé pour supporter les nettoyages internes à la fois à l'eau chaude jusqu'à 95 °C et avec de l'hypochlorite de sodium à une concentration de 0,45 %.

Reportez-vous à la réglementation spécifique (du marché) et aux recommandations relatives aux systèmes d'alimentation en eau pour obtenir des informations sur les méthodes de nettoyage visant à garantir la propreté de l'eau et sa qualité biologique dans votre pays.

Lors du nettoyage interne du sèche-mains Dyson Airblade Wash+Dry, tenez compte des mesures de sécurité nécessaires lors de l'utilisation d'eau chaude ou de produits chimiques. Dyson ne pourra être tenu responsable de toute blessure causée pendant cette procédure.

Tests de robustesse

Le sèche-mains Dyson Airblade Wash+Dry a subi des tests de robustesse rigoureux, visant à garantir qu'il est capable de supporter les forces et impacts importants typiques des environnements de toilettes commerciales ou publiques.

Procédure étape par étape

Fig. 1

Positionnement

Positionnez le robinet au centre de la vasque (Fig. 1).

Percez si nécessaire un trou de 35 mm de diamètre dans le plan de travail.

Fig. 2

Installation du robinet

Posez le joint en caoutchouc de 1 mm sur la tige du robinet (Fig. 2a).

Faites passer la tige du robinet, ainsi que le tuyau d'eau et le câble de communication fournis dans le trou percé dans la surface de travail. Vérifiez que le joint en caoutchouc de 1 mm est posé de manière uniforme et plate sous le robinet.

Vérifiez que la position du robinet au-dessus de la vasque est correcte.

Posez le joint en caoutchouc de 3,5 mm sur la tige du robinet.

Insérez les vis dans le joint de serrage en laiton et serrez-les légèrement pour les maintenir en place.

Posez la rondelle en métal sur la tige du robinet.

Vissez le contre-écrou en laiton sur la tige du robinet, en laissant un espace inférieur ou égal à 5 mm entre la rondelle en métal et le contre-écrou en laiton.

Serrez les vis à la main au travers du contre-écrou en laiton dans la rondelle en métal.

A= Joint en caoutchouc de 1 mm
B= Tige du robinet
C= Tuyau d'eau
D= Câble de capteur
E= Joint de 3,5 mm
F= Rondelle en métal
G= Contre-écrou en laiton
H= 2 vis

Fig. 3

Installation du flexible

Insérez le flexible gris par le bas sur le tuyau d'eau et le câble du capteur (Fig. 3a).

Faites sortir le tuyau d'eau par le trou gauche dans le flexible, comme illustré à la Fig. 3b.

Utilisez une pince pour tirer délicatement le tuyau d'eau jusqu'à la ligne blanche continue (Fig. 3c).

Assurez-vous que le passe-câbles du tuyau d'eau s'insère bien dans le flexible, de sorte à obtenir une connexion hermétique (Fig. 3b).

Faites sortir le câble du capteur par le trou droit en le tirant délicatement, comme illustré à la (Fig. 3b). N'utilisez PAS de pince pour éviter d'endommager les connexions électriques (Fig. 3c). Assurez-vous que le passe-câbles s'insère bien dans le flexible, de sorte à obtenir une connexion hermétique (Fig. 3d). Vous pouvez utiliser de la graisse de silicone pour faciliter l'installation.

Vissez à la main le col supérieur du flexible à la tige du robinet (Fig. 3e).

A= Flexible gris
B= Tuyau d'eau
C= Câble de capteur

Fig. 4

Préparation pour l'installation de la plaque arrière

Retirez le bloc moteur de la plaque arrière en appuyant sur le loquet de libération rouge prévu en bas et en soulevant comme illustré à la Fig. 4a. Rangez le bloc moteur dans un endroit sûr jusqu'à utilisation.

Retirez le couvercle du tuyau d'eau et le couvercle du compartiment électrique de la plaque arrière en utilisant un tournevis T15 Torx comme illustré aux Fig. 4b et 4c. Rangez-les dans un endroit sûr avec leurs fixations jusqu'à utilisation.

Fig. 5

Planification de l'installation de la plaque arrière.

La plaque arrière peut être placée dans trois positions : verticale, horizontale à 90° vers la gauche ou vers la droite. La distance au sol doit être d'au moins 100 mm (Fig. 5a).

Assurez-vous que la plaque arrière est positionnée de sorte que le flexible puisse être facilement raccordé.

NE placez PAS le moteur à l'envers avec le flexible orienté vers le bas, ou positionné au-dessus du robinet (Fig. 5b).

Repérez la position de la plaque arrière sur le mur.

Entrée du câble

L'entrée du câble peut se faire par le côté de la base ou directement du mur à l'arrière de l'appareil via le point d'entrée de câble arrière. Choisissez la méthode avant de commencer.

En cas d'entrée du câble par la base, utilisez une pince pour retirer délicatement la section amovible repérée sur la base de la plaque arrière. Limez les bords de la section retirée (Fig. 5c).

Entrée d'eau

Le raccordement en eau se fait du côté gauche de la plaque arrière. Le raccordement en eau ne peut pas être tourné à l'intérieur de la plaque arrière (Fig. 5d).

Fig. 6

Installation de la plaque arrière

Si l'entrée du câble se fait directement dans la plaque arrière depuis le mur, faites passer le câble électrique dans la plaque arrière avant de fixer cette dernière au mur.

Fixez la plaque arrière au mur à l'aide des fixations appropriées (Fig. 6).

N'utilisez pas de vis à tête fraisée.

Fig. 7

Raccordement du câble du capteur

Endenchez le flexible gris sur la plaque arrière.

Branchez le câble du capteur situé dans le flexible au connecteur de la plaque arrière, comme illustré à la Fig. 7. Vérifiez l'orientation du connecteur : les deux pattes doivent être alignées. Assurez-vous de l'acheminement correct du câble dans la plaque arrière.

Fig. 8

Connexion du tuyau d'eau

Coupez le tuyau d'eau à la bonne taille au niveau de la ligne blanche pointillée, comme illustré à la Fig. 8a.

Faites glisser le collier de serrage (fourni) sur le tuyau d'eau (Fig. 8b).

Retirez les 2 vis cruciformes et détachez le solénoïde de la plaque arrière (Fig. 8b).

Raccordez le tuyau d'eau au solénoïde (Fig. 8c).

Remplacez le solénoïde sur la plaque arrière puis serrez les 2 vis (Fig. 8d).

Serrez le collier de serrage et assurez-vous que le câble du solénoïde est positionné correctement dans le canal de retenue.

Fig. 9

Raccordement de l'alimentation électrique

Acheminez l'alimentation électrique à la plaque arrière à l'aide d'un flexible ou d'un conduit plein, et de raccords approuvés. Assurez-vous que le câble d'alimentation est suffisamment long pour être correctement acheminé jusqu'au bornier situé sur la plaque arrière.

Acheminez le câble à la plaque arrière et serrez le presse-étoupe.

Dénudez le câble sur une longueur adéquate et branchez les fils sous tension et neutre sur les bornes appropriées, comme illustré à la Fig. 9. Vérifiez le positionnement correct des fils avant de continuer.

Fig. 10

Remontage du couvercle du compartiment électrique

Fixez le couvercle du compartiment électrique à l'aide des 6 fixations fournies, en veillant à ne pas coincer les câbles.

Fig. 11

Raccordement de l'alimentation en eau mitigée

REMARQUE : avant le raccordement à la plaque arrière, vérifiez que tous les débris, copeaux de cuivre, etc. ont été éliminés de l'alimentation en eau. En cas de non-respect de cette consigne, le solénoïde risque d'être endommagé.

Raccordez l'alimentation en eau mitigée isolée à la plaque arrière.

Ouvrez l'alimentation en eau.

Vérifiez l'absence de fuite au niveau de l'arrivée d'eau et de la connexion du tuyau d'eau au robinet.

Vérifiez également l'absence de fuite au niveau du raccordement du solénoïde.

Fig. 12

Mise sous tension

Mettez l'appareil sous tension.

CYCLE D'ÉTALONNAGE : une fois installé, le robinet lance un cycle d'étalonnage de 30 secondes.

Placez la main sous le capteur du robinet pour activer l'arrivée d'eau. Fig. 12a.

Vérifiez l'absence de fuite comme illustrée à la Fig. 11.

Fixez le couvercle du tuyau d'eau sur la plaque arrière à l'aide des deux fixations fournies. Fig. 12b.

Fig. 13

Montage du bloc moteur

Accrochez le moteur au sommet du couvercle du compartiment électrique. Faites-le pivoter vers le bas jusqu'à ce qu'il s'enclenche, comme illustré. Poussez-le dans sa position finale. Fig. 13a.

EN OPTION : une vis est fournie pour bloquer le bouton de libération rouge et empêcher tout retrait imprévu du bloc moteur.

Testez le fonctionnement de l'appareil.

Fixation du bloc moteur à la plaque arrière (facultatif).

Pour retirer le filtre, libérez délicatement la patte du filtre à l'aide d'un tournevis comme illustré à la Fig. 13b.

Fixez le bloc moteur à la plaque arrière à l'aide de la vis de fixation fournie (Fig. 13c).

Raccordez à nouveau le filtre en vous assurant qu'il s'enclenche bien (Fig. 13d).

Test de l'installation

Testez le sèche-mains en fonctionnement normal :

- Placez les mains sous la partie centrale du robinet. L'eau s'écoule automatiquement, tant que vos mains restent en place.
- Placez les mains d'un côté ou de l'autre de la partie centrale du robinet pour activer le sèche-mains. Des lames d'air vous balayent alors l'eau des mains.
- Déplacez lentement les mains d'avant en arrière en les tournant pour que les deux côtés soient exposés au flux d'air.

Dépannage

Le sèche-mains ne démarre pas :

- Vérifiez le fusible/disjoncteur et le branchement de l'alimentation en électricité et en eau.
- Vérifiez que le cache de nettoyage est bien retiré et que les capteurs sont propres et non obstrués.
- Éteignez, puis rallumez l'appareil.

Le sèche-mains s'allume et s'éteint sans raison :

- Éteignez, puis rallumez l'appareil.
- Vérifiez l'absence de bouchon dans la vasque. Retirez-le le cas échéant.
- Vérifiez que les capteurs sont propres.
- Vérifiez que le câble du capteur partant du robinet est bien branché.

Le sèche-mains s'arrête parfois en cours d'utilisation :

- Éteignez, puis rallumez l'appareil.
- Vérifiez que les capteurs sont propres.
- Vérifiez que les entrées d'air sont propres et exemptes de poussière. Le cas échéant, éliminez simplement la poussière.
- Assurez-vous que les entrées d'air ne sont pas obstruées et que l'ouverture est suffisante.

Le temps de séchage a augmenté :

- Vérifiez l'absence de poussière au niveau des entrées d'air et nettoyez-les si nécessaire.
- Contrôlez le filtre et remplacez-le si nécessaire.
- Vérifiez que le flexible est correctement fixé à la base du robinet et qu'il ne présente aucune fuite.

Le flux d'air est plus chaud que d'habitude :

- Vérifiez l'absence de poussière au niveau des entrées d'air et nettoyez-les si nécessaire.
- Contrôlez le filtre et remplacez-le si nécessaire.
- Vérifiez que le flexible est correctement fixé à la base du robinet et qu'il ne présente aucune fuite.

Le flux d'air ne s'arrête pas :

- Vérifiez qu'aucun objet ne se trouve dans la vasque et retirez-le cas échéant.
- Vérifiez qu'aucun objet ne se trouve dans la vasque. Le cas échéant, retirez-le.
- Contrôlez le filtre et remplacez-le si nécessaire.
- Vérifiez que le flexible est correctement fixé à la base du robinet et qu'il ne présente aucune fuite.

Le flux d'air ne se déclenche pas :

- Éteignez, puis rallumez l'appareil.
- Vérifiez le fusible/disjoncteur et le branchement de l'alimentation électrique.
- Vérifiez que les capteurs sont propres.
- Vérifiez que le flexible d'air est correctement fixé à la base du robinet et qu'il ne présente aucune fuite.
- Vérifiez que le câble du capteur partant du robinet est bien branché.

De l'eau s'écoule en permanence du robinet :

- Vérifiez que les capteurs sont propres et non obstrués.

L'eau ne s'écoule pas du robinet :

- Vérifiez que les alimentations en eau et en électricité ne sont pas coupées et que la vanne d'isolement est ouverte.
- Vérifiez l'absence de débris dans l'aérateur. Retirez-le et nettoyez/remplacez-le si nécessaire.

L'eau qui s'écoule du robinet est trop chaude ou trop froide :

- Vérifiez que le mitigeur est réglé à la température souhaitée.

Contactez le Service Clients Dyson pour obtenir une assistance ou des informations complémentaires, ou consultez le site www.dyson.fr.

GR/CY

Περιεχόμενα

Σημαντικές οδηγίες για την ασφάλεια 109 

Στο κουτί 110

Έλεγχοι πριν την εγκατάσταση 111

Εγκατάσταση

Βήμα προς βήμα 113

Δοκιμή εγκατάστασης 115

Αντιμετώπιση προβλημάτων 115

ΣΗΜΑΝΤΙΚΕΣ ΟΔΗΓΙΕΣ ΓΙΑ ΤΗΝ ΑΣΦΑΛΕΙΑ

ΔΙΑΒΑΣΤΕ ΚΑΙ ΦΥΛΑΞΤΕ ΑΥΤΕΣ ΤΙΣ ΟΔΗΓΙΕΣ

ΠΡΙΝ ΤΗΝ ΕΓΚΑΤΑΣΤΑΣΗ Η ΧΡΗΣΗ ΑΥΤΗΣ ΤΗΣ ΣΥΣΚΕΥΗΣ, ΔΙΑΒΑΣΤΕ ΠΡΟΣΕΚΤΙΚΑ ΟΛΕΣ ΤΙΣ ΟΔΗΓΙΕΣ ΚΑΙ ΤΙΣ ΕΝΔΕΙΞΕΙΣ ΠΡΟΦΥΛΑΞΗΣ ΣΤΟΝ ΠΑΡΟΝΤΑ ΟΔΗΓΟ ΕΓΚΑΤΑΣΤΑΣΗΣ ΚΑΙ ΤΟ ΕΧΕΙΡΙΔΙΟ ΧΡΗΣΤΗ.

ΠΡΟΕΙΔΟΠΟΙΗΣΗ

ΟΛΕΣ ΟΙ ΕΡΓΑΣΙΕΣ ΕΓΚΑΤΑΣΤΑΣΗΣ ΚΑΙ ΕΠΙΣΚΕΥΩΝ (ΥΔΡΑΥΛΙΚΟΥ ΚΑΙ ΗΛΕΚΤΡΟΛΟΓΟΥ) ΘΑ ΠΡΕΠΕΙ ΝΑ ΠΡΑΓΜΑΤΟΠΟΙΟΥΝΤΑΙ ΑΠΟ ΕΞΕΙΔΙΚΕΥΜΕΝΟ ΑΤΟΜΟ Η ΑΠΟ ΜΗΧΑΝΙΚΟ ΣΕΡΒΙΣ ΤΗΣ DYSON ΣΥΜΦΩΝΑ ΜΕ ΤΟΥΣ ΙΣΧΥΟΝΤΕΣ ΤΟΠΙΚΟΥΣ ΚΩΔΙΚΕΣ Η ΚΑΝΟΝΙΣΜΟΥΣ.

ΠΡΟΕΙΔΟΠΟΙΗΣΗ

ΚΙΝΔΥΝΟΣ ΗΛΕΚΤΡΟΠΛΗΞΙΑΣ!

ΑΝ Η ΑΦΑΙΡΕΣΗ Η Ο ΧΕΙΡΙΣΜΟΣ ΤΟΥ ΠΕΡΙΒΛΗΜΑΤΟΣ ΓΙΝΕΙ ΕΣΦΑΛΜΕΝΑ, ΤΑ ΕΣΩΤΕΡΙΚΑ ΕΞΑΡΤΗΜΑΤΑ ΤΗΣ ΜΟΝΑΔΑΣ ΜΠΟΡΕΙ ΝΑ ΠΡΟΚΑΛΕΣΟΥΝ ΖΗΜΙΑ/ΤΡΑΥΜΑΤΙΣΜΟ Η ΝΑ ΥΠΟΣΤΟΥΝ ΑΝΕΠΑΝΟΡΘΩΤΗ ΖΗΜΙΑ.

ΑΥΤΗ Η ΜΟΝΑΔΑ ΠΡΕΠΕΙ ΝΑ ΓΕΙΩΝΕΤΑΙ ΓΙΑ ΤΗ ΜΕΙΩΣΗ ΤΩΝ ΚΙΝΔΥΝΩΝ ΕΚΔΗΛΩΣΗΣ ΠΥΡΚΑΓΙΑΣ, ΗΛΕΚΤΡΟΠΛΗΞΙΑΣ Η ΠΡΟΚΛΗΣΗΣ ΣΩΜΑΤΙΚΩΝ ΒΛΑΒΩΝ.

Πριν αρχίσετε οποιαδήποτε εργασία εγκατάστασης θα πρέπει να επιβεβαιώσετε τα εξής.

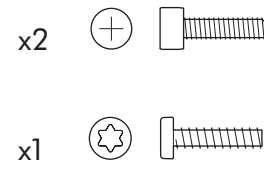
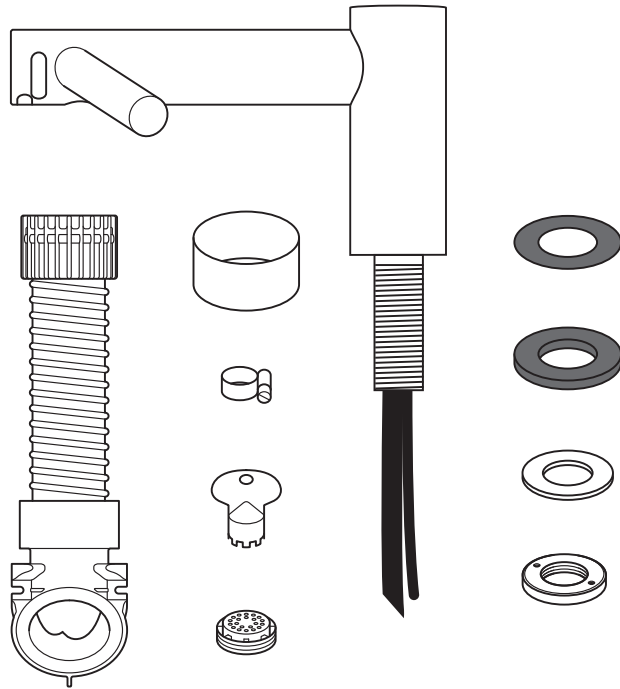
- Ελέγξτε ότι η παροχή ρεύματος αντιστοιχεί στα δεδομένα που αναφέρονται στην πινακίδα στοιχείων λειτουργίας.
- Στη σταθερή καλωδίωση πρέπει να ενσωματωθεί ένα μέσο για αποσύνδεση όλων των πόλων, σύμφωνα με τους ισχύοντες τοπικούς κανονισμούς σχετικά με ηλεκτρικές καλωδιώσεις.
- Συνδέστε την ηλεκτρική τροφοδοσία με κατάλληλο αγωγό καλωδίων και ηλεκτρικά εξαρτήματα σύνδεσης. Βεβαιωθείτε ότι οι αγωγοί και τα καλώδια είναι αρκετά μακριά ώστε να συνδέονται στην πλάκα υποστήριξης και στο μπλοκ ακροδεκτών. Άκαμπτος μεταλλικός αγωγός καλωδίων δεν είναι κατάλληλος για πλευρική είσοδο.

ΠΡΟΕΙΔΟΠΟΙΗΣΗ

Αποσυνεχάστε τα εξαρτήματα με προσοχή. Ενδέχεται να περιέχονται εξαρτήματα με αιχμηρές άκρες/γωνίες που είναι δυνατό να προκαλέσουν τραυματισμούς.

ΜΗ ΧΡΗΣΙΜΟΠΟΙΕΙΤΕ ΕΞΟΠΛΙΣΜΟ ΜΕ ΨΕΚΑΣΜΟ ΝΕΡΟΥ ΓΙΑ ΤΟΝ ΚΑΘΑΡΙΣΜΟ ΤΗΣ ΜΟΝΑΔΑΣ Η ΤΗΣ ΠΕΡΙΟΧΗΣ ΚΟΝΤΑ ΣΤΗΝ ΜΟΝΑΔΑ

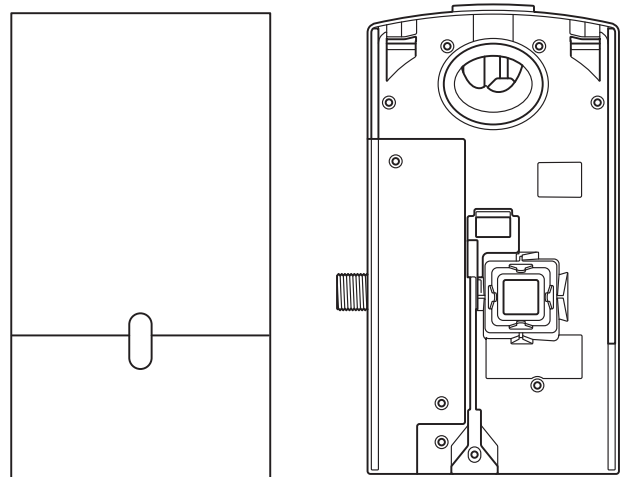
Στο κουτί



Εργαλεία που απαιτούνται:

- Μικρό κατσαβίδι Phillips
- Ίσιο κατσαβίδι 7mm
- Ίσιο κατσαβίδι 2,5mm
- Κατσαβίδι Torx T15
- Μετροταινία και μολύβι
- Δράπανο χειρός
- Κατάλληλη μύτη δραπάνου
- Πένσα / κόφτης καλωδίων
- Μαχαίρι
- Ρυθμιζόμενο κλειδί

GR
CY



Έλεγχος πριν την εγκατάσταση

Εικ. Α

Σχεδιασμός πριν την εγκατάσταση

Ο στεγνωτήρας χεριών Airblade Wash+Dry της Dyson έχει σχεδιαστεί έτσι ώστε η μονάδα του μοτέρ να τοποθετείται στον τοίχο κάτω από το νιπτήρα **Εικ. Α(i)**.

Συστήνεται η τοποθέτηση φίλτρου γραμμής για την αποτροπή ζημιών που ενδέχεται να επηρεάσουν την εγγύηση.

- Διασφαλίστε επαρκή χώρο πρόσβασης για την εγκατάσταση και τη συντήρηση, ανατρέξτε στην **Εικ. Α(ii)**.
- Η μονάδα έχει σχεδιαστεί για τοποθέτηση αποκλειστικά σε στεγνή, εσωτερική θέση.
- Συμβουλευτείτε τους τοπικούς και εθνικούς κώδικες και κανονισμούς προσβασιμότητας για σχετικές οδηγίες εγκατάστασης. Η συμμόρφωση και η τήρησή τους αποτελούν ευθύνη του υπεύθυνου εγκατάστασης. Διασφαλίστε ότι η μονάδα εγκαθίσταται τηρώντας όλους τους κώδικες ή/και τους κανονισμούς του κτιρίου.
- Στη σταθερή καλωδίωση πρέπει να ενσωματωθεί ένα μέσο για αποσύνδεση όλων των πόλων, σύμφωνα με τους ισχύοντες τοπικούς κανονισμούς σχετικά με τις ηλεκτρικές καλωδιώσεις.
- Απομονώστε τις παροχές ρεύματος και νερού πριν από τις εργασίες εγκατάστασης ή συντήρησης.
- Βεβαιωθείτε ότι απευθείας πίσω από το σημείο στερέωσης δεν υπάρχουν αγωγοί (αερίου, νερού, αέρα) ή ηλεκτρικά καλώδια, άλλες καλωδιώσεις ή σωλήνες.

- Η Dyson συνιστά τη χρήση προστατευτικού ρουχισμού, γυαλιών και υλικών ασφαλείας ανάλογα με την κατάσταση, κατά τη διάρκεια των εργασιών εγκατάστασης/επισκευών.
- Η συσκευή προορίζεται για μόνιμη σύνδεση με την παροχή νερού.

Χρήση σε χώρους παρασκευής τροφίμων

Στα περιβάλλοντα προετοιμασίας τροφίμων, απαιτείται ειδική εγκατάσταση, η οποία προβλέπει την πλήρη κάλυψη του κάδου με μοτέρ και του εύκαμπτου σωλήνα με καθαριζόμενο περίβλημα ή την τοποθέτηση του μοτέρ στην αντίθετη πλευρά του τοίχου με επαρκές διάκενο για τον καθαρισμό κάτω από αυτό (εφόσον μπορεί να εφαρμοστεί). Η εν λόγω εγκατάσταση πρέπει να βρίσκεται σε ελάχιστη απόσταση 2,5 μέτρων από απροστάτευτα τρόφιμα ή επιφάνειες επαφής τροφίμων χωρίς κάλυψη.

Ανατρέξτε στον οδηγό συστάσεων του νιπτήρα στη διεύθυνση www.dyson.com πριν την εγκατάσταση.

Εικ. Β

Οδηγίες προδιαγραφών νιπτήρα

Χρησιμοποιώντας μια ειδικά σχεδιασμένη μέθοδο δοκιμής, οι μηχανικοί της Dyson δοκίμασαν μια μεγάλη γκάμα νιπτήρων για να αξιολογήσουν τη συμβατότητά τους με το στεγνωτήρα χεριών Airblade Wash+Dry της Dyson. Για τους συνιστώμενους νιπτήρες, χρησιμοποιήστε τον οδηγό στη διεύθυνση www.dyson.com.

Οι νιπτήρες από πορσελάνη ή θαμπού μέταλλο είναι ιδανικοί. Οι νιπτήρες με έντονα στιλβωμένες επιφάνειες πρέπει

να αποφεύγονται, π.χ. ανακλαστική χρωμέ επιφάνεια.

Για τις ελάχιστες διαστάσεις του νιπτήρα, ανατρέξτε στην **Εικ. Β**.

Εικ. C/D/E

Τοποθέτηση βρύσης

Πρέπει να υπάρχει ελάχιστο διάκενο 100mm και μέγιστο 155 mm από το επάνω μέρος του νιπτήρα μέχρι το κέντρο της βρύσης. **Εικ. C**.

Πρέπει να υπάρχει ελάχιστο διάκενο 290mm μεταξύ του κέντρου μιας βρύσης και ενός πλευρικού τοίχου. Κατά την εγκατάσταση πολλαπλών βρυσών εν σειρά, τα κέντρα των βρυσών πρέπει να απέχουν τουλάχιστον 580mm μεταξύ τους. Αυτό διασφαλίζει επαρκή χώρο για την τοποθέτηση του κάδου του μοτέρ, καθώς και επαρκή προσωπικό χώρο για τους χρήστες. **Εικ. D**.

Μην τοποθετείτε τον αισθητήρα νερού της βρύσης που είναι στραμμένος προς τα κάτω πάνω από μια ανακλαστική επιφάνεια, όπως η οπή αποστράγγισης. **Εικ. E**.

Εικ. F

Σαπούνι και τοποθέτηση του κατανεμητή σαπουνιού

Για βέλτιστη εμπειρία χρήσης, η Dyson συνιστά τη χρήση σαπουνιών σε μορφή τζελ.

Η ζώνη υπέρυθρης ανίχνευσης για την ενεργοποίηση του αέρα εκτείνεται κατά μήκος κάθε βραχίονα βρύσης. Για να αποφύγετε την τυχαία ενεργοποίηση, είναι σημαντικό να εξετάσετε τη διαδρομή των χεριών των χρηστών προς τον κατανεμητή σαπουνιού.

Ο κατανεμητής πρέπει να βρίσκεται τουλάχιστον 60 mm έξω από το πλάτος της βρύσης, ώστε ο χρήστης να προσεγγίζει από την πλευρά του βραχίονα.

Πρέπει επίσης να βρίσκεται τουλάχιστον 60 mm επάνω από τους βραχίονες, ώστε να μην ενεργοποιούνται οι αισθητήρες.

Σημειώστε ότι ο χρήστης μπορεί να προσεγγίσει διαγώνια για το σαπούνι, έτσι η διαδρομή δεν πρέπει να περνά από τη ζώνη ανίχνευσης.

Εικ. G/H

Αποροή νερού

Λόγω της υψηλής ταχύτητας του αέρα και καθώς το νερό βρίσκεται πολύ κοντά, υπάρχει πιθανότητα διασποράς νερού και σαπουνιού έξω από τις διαστάσεις του νιπτήρα. Για να μειώσετε αυτή την επίπτωση, συστήνεται η χρήση των παρακάτω οδηγιών.

Προφίλ βάσης

Το προφίλ επίπεδης βάσης έχει ως αποτέλεσμα την κακή αποστράγγιση, η οποία οδηγεί σε υψηλά επίπεδα εκτίναξης των υγρών. Για να βελτιώσετε την αποστράγγιση, αποφύγετε τους νιπτήρες με επίπεδη βάση, εστιάζοντας ιδιαίτερα στην περιοχή γύρω από την οπή αποστράγγισης, ελάχιστη ακτίνα 60 mm. **Εικ. G**

Μια ελάχιστη γωνία μεταβολής 6° από το άκρο της οπής αποστράγγισης του νιπτήρα θα έχει ως αποτέλεσμα καλή αποστράγγιση, η οποία με τη σειρά της διασφαλίζει μειωμένα επίπεδα εκτίναξης (ελάχιστη ακτίνα 60 mm). **Εικ. H**

Εικ. I/J/K

Μετάβαση από τη βάση στο οπίσθιο και πρόσθιο τοίχωμα

Η μετάβαση από τη βάση προς το οπίσθιο και το πρόσθιο τοίχωμα πρέπει επίσης να ληφθεί υπόψη. Το οπίσθιο τοίχωμα πρέπει να είναι σε γωνία όσο το δυνατό πλησιέστερη στις 90° και με όσο το δυνατό πιο απότομη ακτίνα.

Εικ. I. Η καμπύλη γεωμετρία είναι πιο πιθανό να αυξήσει την εκτίναξη **Εικ. J**, ενώ οι μεταβάσεις με οπίσθια και πρόσθια τοιχώματα με κλίση πρέπει να αποφεύγονται **Εικ. K**.

Εικ. L

Οπή τάπας

Συστήνονται οι οπές τάπας με το μεγαλύτερο δυνατό άνοιγμα, ενώ το σχαράκι ή οι οπές τάπας διάτρητου τύπου πρέπει να αποφεύγονται καθώς περιορίζουν την αποστράγγιση του σαπουνό νερού (αφρός). Μην χρησιμοποιείτε τάπες στις οπές ταπών στους νιπτήρες.

Εικ. M

Έλεγχος θερμοκρασίας νερού

Εάν συνδέετε παροχή ζεστού και κρύου νερού, θα χρειαστεί να εγκαταστήσετε αναμεικτική μπαταρία.

Εάν συνδέετε μόνο το κρύο νερό χρήσης, θα πρέπει να εγκαταστήσετε θερμαντήρα.

Η παροχή νερού σε αυτό το προϊόν πρέπει να διαθέτει συσκευή ελέγχου θερμοκρασίας, σύμφωνα με τους τοπικούς κανονισμούς.

A= Αναμεικτική μπαταρία

B= Παροχή ζεστού και κρύου νερού

C= Επιθυμητή θερμοκρασία εξόδου

D= Βαλβίδα απομόνωσης

E= Θερμαντήρας

F= Εισαγωγή κρύου νερού

Συμπληρωματικές πληροφορίες

Εγκατάσταση

Μην χρησιμοποιείτε μονωτικό κατά την τοποθέτηση της συσκευής στον τοίχο. Βεβαιωθείτε ότι οι παροχές ηλεκτρικού ρεύματος και μικτής τροφοδοσίας νερού και αποχέτευσης είναι διαθέσιμες για σύνδεση. Για την απενεργοποίηση των παροχών πριν την εγκατάσταση και για τη συντήρηση, πρέπει να έχει εφαρμοστεί κατάλληλη απομόνωση της παροχής ρεύματος και νερού.

Εγκατάσταση

Τάση/συχνότητα εισόδου: ανατρέξτε στην πινακίδα ονομαστικών τιμών.

Απομόνωση από ασφάλεια διακόπτη διακλάδωσης ή RCD όπως αντιστοιχεί. Ένταση 6,6 A.

Προδιαγραφή καλωδίου: PVC διπλού πυρήνα + PVC μονού πυρήνα (γείωση)

Πρέπει να τηρούνται οι τοπικοί κανονισμοί για τις ηλεκτρολογικές εργασίες, κατά την εγκατάσταση ή επισκευή του προϊόντος.

Ονομαστική ισχύς: ανατρέξτε στην πινακίδα ονομαστικών τιμών.

Εύρος θερμοκρασιών λειτουργίας: 0° – 40°C.

Κατανάλωση ισχύος σε λειτουργία αναμονής: λιγότερο από 0,5 W.

Μέγιστο υψόμετρο: 2.000 μέτρα.

Λειτουργία με νερό

Ροή παροχής νερού: 4 λίτρα/λεπτό κανονικός τοποθετημένος αεριστήρας. 1,9 λίτρα/λεπτό με αεριστήρα χαμηλής ροής που παρέχεται με το προϊόν.

Απαιτούμενη πίεση νερού: 1-8 bar. Για τη συντήρηση απαιτείται απομονωμένη βαλβίδα BSP 1/2".

Διατηρείτε τη δευτερεύουσα επιστροφή ζεστού νερού όσο το δυνατό πιο κοντά στην αναμεικτική βαλβίδα για τη μείωση του κινδύνου ανάπτυξης βακτηρίων Λεγεωνέλας.

Αυτόματη έκπλυση κύκλου λειτουργίας

Η μονάδα είναι εξοπλισμένη με σταθερή αυτόματη έκπλυση νερού, η οποία ενεργοποιείται για 60 δευτερόλεπτα, 24 ώρες μετά την τελευταία χρήση. Αυτό μειώνει το φαινόμενο λιμνάζοντος νερού και την ανάπτυξη βακτηρίων στο προϊόν.

Διασφαλίστε ότι η μονάδα εγκαθίσταται πάντα επάνω από λειτουργικό νιπτήρα με ελεύθερη και συνδεδεμένη αποχέτευση.

Καθαρότητα και βιολογική καλλιέργεια παροχής νερού

Σε ορισμένες χώρες υπάρχουν κανονισμοί ή οδηγίες που προβλέπουν ότι τα συστήματα παροχής νερού με ελεγχόμενη θερμοκρασία (όπως αυτό που παρέχεται από το στεγνωτήρα χεριών βρύσης Dyson Airblade Wash+Dry) πρέπει να υποβάλλονται σε τακτικό καθαρισμό για την ελαχιστοποίηση βιολογικών καλλιιεργειών. Προκειμένου να καλύπτονται οι κανονισμοί αυτοί, ο στεγνωτήρας χεριών βρύσης Dyson Airblade Wash+Dry έχει σχεδιαστεί και δοκιμαστεί ώστε να αντέχει τον εσωτερικό καθαρισμό με ζεστό νερό μέχρι τους 95°C και με χρήση υποχλωριώδους νατρίου σε συγκέντρωση 0,45%.

Ανατρέξτε στους συγκεκριμένους κανονισμούς (αγορά) και τις συστάσεις του συστήματος παροχής νερού για πληροφορίες αναφορικά με τους κανονισμούς καθαρισμού για την καθαρότητα και την αποτροπή βιολογικών καλλιιεργειών στην παροχή νερού που ισχύουν στη χώρα σας.

Κατά τον εσωτερικό καθαρισμό του στεγνωτήρα χεριών βρύσης Dyson Airblade Wash+Dry, επιδείξτε προσοχή στα ζητήματα ασφάλειας, κατά τη χρήση καυτού νερού ή

χημικών. Η Dyson δεν αναλαμβάνει καμία ευθύνη για τραυματισμούς που προκαλούνται από αυτή τη διαδικασία.

Δοκιμές κακής χρήσης

Ο στεγνωτήρας χεριών βρύσης Dyson Airblade Wash+Dry έχει υποβληθεί σε εντατικές δοκιμές για να διασφαλιστεί η αντοχή του σε σημαντικές δυνάμεις και κρούσεις, οι οποίες είναι συνήθεις στα περιβάλλοντα εμπορικών και δημόσιων λουτρών.

Βήμα προς βήμα

Εικ. 1

Τοποθέτηση

Τοποθετήστε τη βρύση στο κέντρο του νιπτήρα
Εικ.1.

Διανοίξτε μια οπή διαμέτρου 35 mm στην επιφάνεια εργασίας, εάν απαιτείται.

Εικ. 2

Εγκατάσταση βρύσης

Σύρετε το ελαστικό παρέμβυσμα 1mm στο στέλεχος της βρύσης, Εικ. 2α.

Προωθήστε το στέλεχος της βρύσης μαζί με το συνδεδεμένο αγωγό νερού και το καλώδιο επικοινωνιών μέσα από την οπή της επιφάνειας εργασίας. Διασφαλίστε ότι το ελαστικό παρέμβυσμα 1mm εδράζει κάτω από τη βρύση ομοιόμορφα και επίπεδα.

Διασφαλίστε ότι η βρύση βρίσκεται στη σωστή θέση επάνω από το νεροχύτη.

Περάστε το ελαστικό παρέμβυσμα 3,5mm στη βάση του στελέχους της βρύσης.

Εισαγάγετε τις βίδες στον ορειχάλκινο ασφαλιστικό δακτύλιο και σφίξτε καλά για να τα συγκρατήσετε στη θέση τους.

Σύρετε τη μεταλλική ροδέλα επάνω στο στέλεχος της βρύσης.

Βιδώστε το ορειχάλκινο ασφαλιστικό παξιμάδι στο στέλεχος της βρύσης, αφήνοντας διάκενο μικρότερο από ή ίσο με 5mm μεταξύ της μεταλλικής ροδέλας και του ορειχάλκινου ασφαλιστικού παξιμαδιού.

Συσφίξτε τις βίδες μέσα από το ορειχάλκινο ασφαλιστικό παξιμάδι στη μεταλλική ροδέλα μέχρι να σφίξουν με το χέρι.

A= Ελαστικό παρέμβυσμα 1mm
B= Στέλεχος βρύσης
C= Αγωγός νερού
D= Καλώδιο αισθητήρα
E= Ελαστικό παρέμβυσμα 3,5mm
F= Μεταλλική ροδέλα
G= Ορειχάλκινο ασφαλιστικό παξιμάδι
H= 2 βίδες

Εικ. 3

Εγκατάσταση εύκαμπτου σωλήνα

Σύρετε τον γκρι εύκαμπτο σωλήνα επάνω από το σωλήνα νερού και το καλώδιο του αισθητήρα Εικ. 3α.

Περάστε το σωλήνα νερού μέσα από την αριστερή οπή εξόδου του αγωγού εύκαμπτου σωλήνα, όπως υποδεικνύεται στην Εικ. 3b.

Χρησιμοποιήστε τανάλια για να τραβήξετε προσεκτικά το σωλήνα νερού μέχρι τη συμπαγή λευκή γραμμή Εικ. 3c.

Βεβαιωθείτε ότι ο δακτύλιος του σωλήνα νερού εφαρμόζει σφικτά στο σωλήνα έτσι ώστε να είναι αεροστεγής Εικ. 3b.

Περάστε το καλώδιο του αισθητήρα μέσα από τη δεξιά οπή εξόδου, τραβώντας προσεκτικά Εικ. 3b. ΜΗΝ χρησιμοποιήσετε πένσα, καθώς κάτι τέτοιο μπορεί να προκαλέσει ζημιά στις ηλεκτρικές συνδέσεις Εικ. 3c. Διασφαλίστε ότι η ροδέλα στο καλώδιο προσαρμόζεται σφικτά στον αγωγό εύκαμπτου σωλήνα ώστε να ασφαλίζει αεροστεγώς Εικ. 3d. Για τη διευκόλυνση της τοποθέτησης μπορεί να χρησιμοποιηθεί γράσο σιλικόνης.

Βιδώστε σφικτά το άνω στόμιο του σωλήνα επάνω στο στέλεχος της βρύσης μέχρι να σφίξει με το χέρι, Εικ. 3e.

A= Γκρι εύκαμπτος σωλήνας
B= Αγωγός νερού
C= Καλώδιο αισθητήρα

Εικ. 4

Προετοιμασία εγκατάστασης πλάκας υποστήριξης

Αφαιρέστε τον κάδο του μοτέρ από την πλάκα υποστήριξης πιέζοντας την κόκκινη ασφάλεια απελευθέρωσης στο κάτω μέρος και ανυψώνοντας, όπως υποδεικνύεται στην Εικ. 4a. Αποθηκεύστε τον κάδο μοτέρ σε ασφαλή θέση μέχρι να τον χρειαστείτε.

Αφαιρέστε το κάλυμμα του σωλήνα νερού και το κάλυμμα ηλεκτρικών στοιχείων από την πλάκα υποστήριξης, με καρδάκι Torx T15, όπως υποδεικνύεται στις Εικ. 4b και 4c. Αποθηκεύστε τα σε ασφαλή θέση με τα στηρίγματά τους μέχρι να τα χρειαστείτε.

Εικ. 5

Εγκατάσταση πλάκας υποστήριξης και εύκαμπτου σωλήνα

Η πλάκα υποστήριξης μπορεί να τοποθετηθεί σε μία από τις εξής τρεις θέσεις: κατακόρυφα ή σε αριστερή ή δεξιά γωνία 90°. Η απόσταση από το δάπεδο πρέπει να είναι τουλάχιστον 100mm, δείτε την Εικ. 5a.

Διασφαλίστε ότι η πλάκα υποστήριξης τοποθετείται σε θέση που επιτρέπει την εύκολη σύνδεση του εύκαμπτου σωλήνα.

ΜΗΝ τοποθετείτε το μοτέρ ανάποδα με το σωλήνα στραμμένο προς τα κάτω ή επάνω από τη βρύση, δείτε Εικ. 5b.

Σημειώστε τη θέση της πλάκας υποστήριξης στον τοίχο.

Είσοδος καλωδίων

Η είσοδος των καλωδίων είναι δυνατό να πραγματοποιηθεί είτε από τη βάση είτε απευθείας από τον τοίχο στην πίσω πλευρά της συσκευής μέσω του οπίσθιου σημείου εισόδου των καλωδίων. Αποφασίστε το σημείο πριν ξεκινήσετε.

Εάν επιλέξατε την εισαγωγή του καλωδίου από τη βάση, χρησιμοποιήστε πένσα για να αφαιρέσετε προσεκτικά το θραυστό πλαίσιο με επισήμανση στη βάση της πλάκας στήριξης. Λειάνετε πλήρως τις άκρες της τομής της ράβδου σύνδεσης, Εικ. 5c.

Είσοδος νερού

Η σύνδεση του νερού εκτελείται στην αριστερή πλευρά της πλάκας υποστήριξης. Η σύνδεση του νερού δεν μπορεί να περιστραφεί εντός της πλάκας υποστήριξης, Εικ. 5d.

Εικ. 6

Εγκατάσταση πλάκας υποστήριξης

Ανη είσοδος των καλωδίων γίνει απευθείας στην πλάκα υποστήριξης από τον τοίχο, περάστε και τραβήξτε το ηλεκτρικό καλώδιο πριν ασφαλίσετε την πλάκα υποστήριξης στον τοίχο.

Ασφαλίστε την πλάκα υποστήριξης στον τοίχο χρησιμοποιώντας τα κατάλληλα στηρίγματα, Εικ. 6.

Μην χρησιμοποιείτε χωνευτές βίδες.

Εικ. 7

Σύνδεση καλωδίου αισθητήρα

Κουμπώστε τον εύκαμπτο γκρι σωλήνα στην πλάκα υποστήριξης.

Συνδέστε το καλώδιο του αισθητήρα στον εύκαμπτο σωλήνα στο σύνδεσμο της πλάκας υποστήριξης, όπως υποδεικνύεται στην **Εικ. 7**. Ελέγξτε τον προσανατολισμό του συνδέσμου, οι δύο προεξοχές πρέπει να είναι ευθυγραμμισμένες. Βεβαιωθείτε ότι το καλώδιο είναι σωστά δρομολογημένο στην πλάκα υποστήριξης.

Εικ. 8

Σύνδεση του αγωγού του νερού

Κόψτε το σωλήνα του νερού στο σωστό μέγεθος, στη λευκή διάστικτη γραμμή, όπως υποδεικνύεται στην **Εικ. 8α**.

Σύρετε το κλιπ του εύκαμπτου σωλήνα (παρέχεται) στο σωλήνα του νερού, **Εικ. 8β**.

Αφαιρέστε τις 2 βίδες Phillips και ξεκουμπώστε τον ηλεκτρομαγνήτη από την πλάκα υποστήριξης, **Εικ. 8β**.

Συνδέστε τον εύκαμπτο σωλήνα νερού στον ηλεκτρομαγνήτη, **Εικ. 8c**.

Κουμπώστε τον ηλεκτρομαγνήτη ξανά στην πλάκα υποστήριξης και τοποθετήστε τις 2 βίδες, **Εικ. 8d**.

Συσφίξτε το κλιπ του εύκαμπτου σωλήνα και διασφαλίστε ότι το καλώδιο του ηλεκτρομαγνήτη έχει τοποθετηθεί σωστά στο κανάλι συγκράτησης.

Εικ. 9

Σύνδεση της παροχής ρεύματος

Οδηγήστε την παροχή ρεύματος στην πλάκα υποστήριξης χρησιμοποιώντας εγκεκριμένο εύκαμπτο ή συμπαγή αγωγό και εξαρτήματα. Διασφαλίστε ότι το καλώδιο παροχής ρεύματος έχει επαρκές μήκος για τη σύνδεση στο μπλοκ ακροδεκτών που είναι τοποθετημένο στην πλάκα υποστήριξης.

Οδηγήστε το καλώδιο μέσα στην πλάκα υποστήριξης και συσφίξτε το χιτώνιο του καλωδίου.

Απογυμνώστε το καλώδιο σε κατάλληλο μήκος και στερεώστε το καλώδιο τάσης και ουδέτερου στους ακροδέκτες, όπως υποδεικνύεται στην **Εικ. 9**. Διασφαλίστε την ορθή τοποθέτηση των καλωδίων πριν συνεχίσετε.

Εικ. 10

Επανασυναρμολόγηση του καλύμματος των ηλεκτρικών στοιχείων

Στερεώστε το κάλυμμα των ηλεκτρικών στοιχείων και ασφαλίστε το με τα 6 στηρίγματα που παρέχονται, διασφαλίζοντας ότι δεν παγιδεύονται τα καλώδια

Εικ. 11

Σύνδεση της μεικτής παροχής νερού

ΣΗΜΕΙΩΣΗ: Βεβαιωθείτε ότι η παροχή νερού έχει καθαριστεί πλήρως από υπολείμματα, ρινίσματα χαλκού, κ.λπ. πριν τη σύνδεση στην πλάκα στήριξης. Εάν παραλείψετε αυτή την ενέργεια, ενδέχεται να προκληθεί βλάβη στην ηλεκτροβαλβίδα με αποτέλεσμα να μην κλείνει σωστά και η βρύση να σημειώνει διαρροές.

Συνδέστε την απομονωμένη, μεικτή παροχή νερού στην πλάκα υποστήριξης.

Ανοίξτε την παροχή νερού.

Ελέγξτε για διαρροές στην είσοδο της κεντρικής παροχής νερού και τη σύνδεση του αγωγού του νερού στη βρύση.

Ελέγξτε επίσης τη σύνδεση του ηλεκτρομαγνήτη για διαρροές.

Εικ. 12

Ενεργοποίηση

Ενεργοποιήστε το μηχάνημα.

ΚΥΚΛΟΣ ΒΑΘΜΟΝΟΜΗΣΗΣ: Μόλις εγκατασταθεί, η βρύση θα εκτελέσει έναν κύκλο βαθμονόμησης 30 δευτερολέπτων.

Τοποθετήστε το χέρι σας κάτω από τον αισθητήρα της βρύσης για να ενεργοποιήσετε τη ροή του νερού **Εικ. 12α**.

Ελέγξτε για διαρροές σύμφωνα με την **Εικ. 11**.

Ασφαλίστε το κάλυμμα του σωλήνα νερού στην πλάκα υποστήριξης χρησιμοποιώντας τα δύο στηρίγματα που παρέχονται, όπως υποδεικνύεται **Εικ. 12β**.

Εικ. 13

Συναρμολόγηση του κάδου μοτέρ

Αγκισρώστε το μοτέρ στο επάνω μέρος του καλύμματος των ηλεκτρικών στοιχείων. Περιστρέψτε το προς τα κάτω, όπως υποδεικνύεται, μέχρι να ακουστεί ο χαρακτηριστικός ήχος. Πιέστε το για να ασφαλίσει **Εικ. 13α**.

ΠΡΟΑΙΡΕΤΙΚΑ: Για την ασφάλιση του κόκκινου πλήκτρου απελευθέρωσης και την αποτροπή της ακούσιας αφαίρεσης του κάδου με μοτέρ, παρέχεται μια βίδα.

Ελέγξτε ότι η συσκευή λειτουργεί σωστά.

Ασφάλιση του κάδου της μηχανής στην πλάκα υποστήριξης (προαιρετικά).

Για να αφαιρέσετε το φίλτρο, χρησιμοποιήστε απαλά ένα κατσαβίδι για να απελευθερώσετε τη βάση του φίλτρου όπως υποδεικνύεται στην **Εικ. 13b**.

Ασφαλίστε τον κάδου με μοτέρ στην πλάκα υποστήριξης χρησιμοποιώντας τη βίδα ασφαλείας που παρέχεται, **Εικ. 13c**.

Επανασυνδέστε το φίλτρο, διασφαλίζοντας ότι ασφαλίσει στη θέση του **Εικ. 13d**.

Δοκιμή εγκατάστασης

Δοκιμάστε το στεγνωτήρα χεριών για την ορθή λειτουργία του:

- Τοποθετήστε τα χέρια σας κάτω από το κέντρο της βρύσης και η ροή του νερού θα ξεκινήσει αυτόματα και θα διατηρηθεί για όσο διάστημα τα χέρια σας παραμένουν σε αυτή τη θέση.
- Τοποθετήστε τα χέρια σας σε κάθε πλευρά του κέντρου της βρύσης για να ενεργοποιήσετε το στεγνωτήρα χεριών, δημιουργώντας ρεύματα αέρα που απομακρύνουν το νερό από τα χέρια σας.
- Μετακινήστε τα χέρια σας εμπρός-πίσω αργά μέσα στη ροή αέρα. Γυρίστε τα χέρια σας, ώστε και το πίσω μέρος και οι παλάμες να εκτεθούν στη ροή του αέρα.

Αντιμετώπιση προβλημάτων

Ο στεγνωτήρας χεριών δεν λειτουργεί:

- Ελέγξτε ότι η ασφάλεια/ο διακόπτης λειτουργούν και ότι η παροχή ηλεκτρικού ρεύματος και νερού είναι συνδεδεμένες.
- Βεβαιωθείτε ότι το κάλυμμα καθαρισμού έχει αφαιρεθεί και ότι οι αισθητήρες είναι καθαροί και χωρίς εμπόδια.
- Απενεργοποιήστε και ενεργοποιήστε τη μονάδα.

Ο στεγνωτήρας χεριών ενεργοποιείται και απενεργοποιείται σε τυχαία διαστήματα αυτόνομα:

- Απενεργοποιήστε και ενεργοποιήστε τη μονάδα.
- Βεβαιωθείτε ότι δεν υπάρχει τάπα στο νεροχύτη και αφαιρέστε την τάπα εάν υπάρχει.
- Βεβαιωθείτε ότι οι αισθητήρες είναι καθαροί.
- Βεβαιωθείτε ότι το καλώδιο του αισθητήρα από τη βρύση είναι συνδεδεμένο με ασφάλεια.

Ο στεγνωτήρας χεριών μερικές φορές διακόπτει τη λειτουργία κατά τη χρήση του:

- Απενεργοποιήστε και ενεργοποιήστε τη μονάδα.
- Βεβαιωθείτε ότι οι αισθητήρες είναι καθαροί.
- Ελέγξτε ότι οι εισοδοί αέρα είναι καθαρές και χωρίς σκόνη. Αν οι εισοδοί αέρα είναι σκονισμένες, απλά αφαιρέστε τη σκόνη.
- Βεβαιωθείτε ότι οι εισοδοί αέρα είναι ελεύθερες από εμπόδια και έχουν επαρκές περιθώριο.

Ο χρόνος στεγνώματος έχει αυξηθεί.

- Επιθεωρήστε τις εισόδους αέρα για σκόνη και αφαιρέστε την.
- Επιθεωρήστε το φίλτρο και αλλάξτε το, εφόσον απαιτείται.
- Βεβαιωθείτε ότι ο εύκαμπτος σωλήνας είναι στερεωμένος με ασφάλεια στη βάση της βρύσης και ότι δεν υπάρχουν διαρροές.

Η ροή αέρα είναι θερμότερη από τη συνήθη:

- Επιθεωρήστε τις εισόδους αέρα για σκόνη και αφαιρέστε την.
- Επιθεωρήστε το φίλτρο και αλλάξτε το, εφόσον απαιτείται.
- Βεβαιωθείτε ότι ο εύκαμπτος σωλήνας είναι στερεωμένος με ασφάλεια στη βάση της βρύσης και ότι δεν υπάρχουν διαρροές.

Η ροή του αέρα είναι συνεχής:

- Ελέγξτε για την ύπαρξη αντικειμένων στο νιπτήρα και αφαιρέστε τα, εάν είναι απαραίτητο.
- Βεβαιωθείτε ότι οι αισθητήρες είναι καθαροί και χωρίς οποιαδήποτε εμπόδια.
- Επιθεωρήστε το φίλτρο και αλλάξτε το, εφόσον απαιτείται.
- Βεβαιωθείτε ότι ο εύκαμπτος σωλήνας είναι στερεωμένος με ασφάλεια στη βάση της βρύσης και ότι δεν υπάρχουν διαρροές.

Δεν υπάρχει ροή αέρα:

- Απενεργοποιήστε και ενεργοποιήστε τη μονάδα.
- Ελέγξτε ότι η ασφάλεια/ο διακόπτης λειτουργούν και ότι το ηλεκτρικό ρεύμα είναι συνδεδεμένο.
- Βεβαιωθείτε ότι οι αισθητήρες είναι καθαροί.
- Βεβαιωθείτε ότι ο σωλήνας είναι στερεωμένος με ασφάλεια στη βάση της βρύσης και ότι δεν υπάρχουν διαρροές.
- Βεβαιωθείτε ότι το καλώδιο του αισθητήρα από τη βρύση είναι συνδεδεμένο με ασφάλεια.

Το νερό ρέει συνεχώς από τη βρύση:

- Βεβαιωθείτε ότι οι αισθητήρες είναι καθαροί και χωρίς οποιαδήποτε εμπόδια.

Δεν εξέρχεται νερό από τη βρύση:

- Βεβαιωθείτε ότι οι παροχές ηλεκτρικού ρεύματος και νερού είναι ενεργοποιημένες και ότι η βαλβίδα απομόνωσης είναι ανοικτή.
- Βεβαιωθείτε ότι δεν υπάρχουν θραύσματα στον αεριστήρα, αφαιρέστε και καθαρίστε/αντικαταστήστε τον εφόσον είναι απαραίτητο.

Το νερό που προέρχεται από τη βρύση είναι υπερβολικά ζεστό ή κρύο:

- Ελέγξτε ότι η αναμεικτική μπαταρία έχει ρυθμιστεί στην επιθυμητή θερμοκρασία. Για περαιτέρω υποστήριξη και πληροφορίες, επικοινωνήστε με την Εξυπηρέτηση Πελατών της Dyson ή επισκεφθείτε τη διεύθυνση www.dyson.com

HR

Sadržaj

Važne upute u vezi sigurnosti 117 

Sadržaj pakiranja 118

Provjere prije instalacije 119

Instalacija

HR

Detaljan opis postupka 121

Ispitivanje instalacije 123

Rješavanje problema 123

VAŽNE UPUTE U VEZI SIGURNOSTI

PROČITAJTE I SPREMITE OVE UPUTE

PRIJE INSTALACIJE ILI KORIŠTENJA OVOG UREĐAJA, PROČITAJTE SVE UPUTE I OZNAKE UPOZORENJA U OVOM PRIRUČNIKU ZA INSTALACIJU I PRIRUČNIKU ZA VLASNIKE.

UPOZORENJE

INSTALACIJU I POPRAVKE (VODOINSTALATERSKE I ELEKTRIČNE) TREBA IZVESTI KVALIFICIRANA OSOBA ILI SERVISNI INŽENJER TVRTKE DYSON U SKLADU S VAŽEĆIM LOKALNIM PRAVILIMA I PROPISIMA.

UPOZORENJE

OPASNOST OD STRUJNOG UDARA!

NEPRAVILNIM UKLANJANJEM ILI RUKOVANJEM KUĆIŠTEM, UNUTARNJE KOMPONENTE UREĐAJA MOGU IZAZVATI OZLJEDE ILI SAME BITI TRAJNO OŠTEĆENE.

OVAJ SE UREĐAJ MORA UZEMLJITI KAKO BI SE SMANJIO RIZIK OD POŽARA, STRUJNOG UDARA ILI OZLJEDA OSOBA. MOLIMO, PRIDRŽAVAJTE SE SLJEDEĆIH UPUTA:

Prije početka instalacijskih radova potrebno je provjeriti sljedeće.

- Provjerite odgovara li električno napajanje onom prikazanom na nazivnoj pločici.
- Sredstvo za iskapčanje svih polova mora se uklopiti u fiksno ožičenje u skladu s lokalnim propisima o ožičenju.

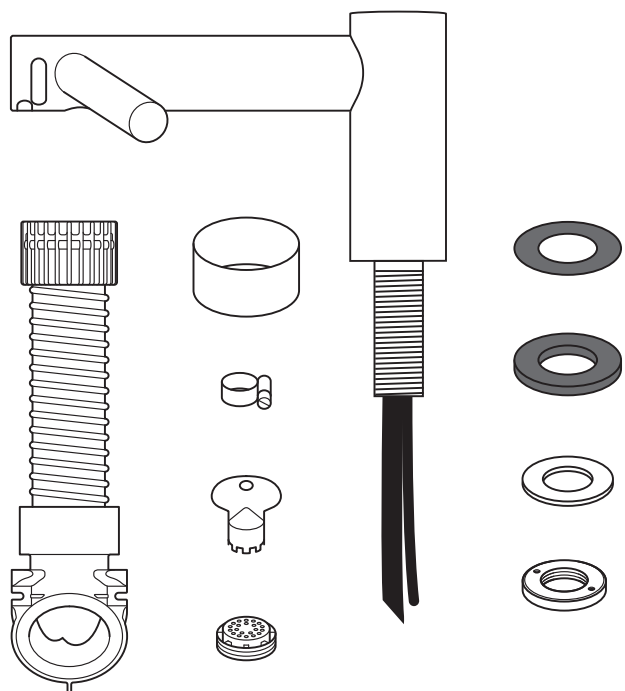
- Priključite električno napajanje pomoću odgovarajućeg vodiča i električnih nastavaka. Provjerite jesu li vodič i žice dovoljno dugi za priključivanje na stražnju ploču i blok s priključcima. Čvrsti metalni vodič nije prikladan za bočni ulaz.

UPOZORENJE

Budite oprezni prilikom raspakiravanja komponenti. Mogu postojati oštri rubovi/kutovi na kojima se možete porezati ili ozlijediti.

NE UPOTREBLJAVAJTE OPREMU ZA ČIŠĆENJE MLAZOM NA UREĐAJU ILI U NJEGOVOJ BLIZINI

Sadržaj pakiranja



x2  

x1  

Potreban alat:

- Mali križni odvijač Phillips
- Odvijač s utorom od 7 mm
- Odvijač s utorom od 2,5 mm
- Odvijač Torx T15
- Metar u traci i olovka
- Ručna bušilica
- Odgovarajuće svrdlo
- Kliješta za skidanje izolacije
- Skalpel
- Podesivi ključ

Provjere prije instalacije

Sl. A

Planiranje prije instalacije

Slavina sa sušilom za ruke Dyson Airblade Wash+Dry projektirana je tako da se motor nalazi u zidu i ispod umivaonika, **slika A(i)**.

Preporučuje se postavljanje ugrađenog filtera kako bi se spriječila oštećenja koja mogu utjecati na jamstvo.

- Osigurajte dovoljno prostora za montažu i servisiranje, vidi **sl. A(ii)**.
- Uređaj je namijenjen isključivo postavljanju na suhom i zatvorenom mjestu.
- Odgovarajuće instalacijske upute potražite u lokalnim i državnim propisima te pravilima vezanim uz pristup. Za sukladnost je odgovoran instalater. Uređaj se mora instalirati u skladu sa svim zakonima i/ili propisima o građenju.
- Automatski osigurač el. instalacije za isključenje napajanja mora se uklopiti u fiksno ožičenje u skladu s lokalnim propisima o ožičenju.
- Prije instalacije ili servisiranja izolirajte napajanje i dovod vode.
- Provjerite da neposredno iza mjesta bušenja/ugradnje nema cjevovoda (plin, voda ili zrak) ili električnih kabela, žica i vodova.
- Tvrtka Dyson prema potrebi preporučuje korištenje zaštitne odjeće, naočala i materijala prilikom izvođenja instalacije/ popravaka.
- Ovaj uređaj predviđen je za trajno priključivanje na vodovod.

Upotreba u područjima za pripremu hrane

U područjima za pripremu hrane potrebna je posebna instalacija koja mora potpuno obuhvatiti kućište motora i crijevo u kućištu koje se može čistiti ili postavite kućište motora na suprotnu stranu zida, te osigurajte dovoljnu udaljenost ispod njega (ako je to primjenjivo). Jedinica mora biti udaljena najmanje 2,5 m od nepokrivenih namirnica ili površina koje su u kontaktu s hranom.

Prije instalacije pogledajte dokument Vodič s preporukama za ugradnju slivnika na www.dyson.com.

Sl. B

Smjernice u vezi sa odabirom umivaonika

Pomoću posebne metode ispitivanja inženjeri tvrtke Dyson ispitali su mnogo umivaonika kako bi procijenili njihovu kompatibilnost sa slavnom sušila ruku Dyson Airblade Wash+Dry. Preporučene tipove umivaonika možete potražiti na www.dyson.com

Idealni su porculanski umivaonici ili umivaonici od brušenog nehrđajućeg čelika. Treba izbjegavati umivaonike s visokopoliranim površinama, npr. od reflektivnog kroma. Minimalne dimenzije umivaonika prikazane su na **Sl. B**.

Sl. C/D/E

Instalacija slavine

Od vrha umivaonika do sredine slavine treba biti od 100 a najviše 155 mm. **Sl. C**. Između središta slavine i bočnog zida treba biti najmanje 290 mm. Kada se jedna kraj druge instalira više slavina, njihove sredine trebaju biti na udaljenosti od najmanje 580 mm. To omogućuje dovoljno prostora za montažu kućišta motora, kao i dovoljno mjesta za korisnike. **Sl. D**.

Nemojte postavljati senzor za vodu slavine koji je okrenut prema dolje na reflektivne površine poput otvora odvoda. **Sl. E**.

Sl. F

Sapun i položaj posude za sapun

Kako biste postigli najbolje korisničko iskustvo, tvrtka Dyson preporučuje korištenje sapuna u gelu.

Zona infracrvenog senzora za aktivaciju zraka nalazi se uzduž svake grane slavine. Da biste spriječili slučajnu aktivaciju, važno je uzeti u obzir rutu kretanja ruku korisnika do posude za sapun.

Posuda se mora nalaziti najmanje 60 mm izvan širine slavine kako bi korisnik pružio ruku oko bočne strane grane.

Također mora biti najmanje 60 mm iznad grana kako se senzori ne bi aktivirali.

Imajte na umu da korisnik može posegnuti za sapunom dijagonalno i poprijeko tako da ta putanja ne smije prolaziti kroz zonu senzora.

Sl. G/H

Odvodnja vode

Zbog blizine vrlo brzog protoka zraka i vode postoji mogućnost da dođe do određene disperzije vode i sapuna izvan dimenzija umivaonika. Da biste ublažili taj učinak, preporučujemo vam da slijedite donje smjernice.

Profil dna

Ravno dno rezultirat će slabim odvodom i jakim povratnim prskanjem. Da biste poboljšali odvodnju, izbjegavajte umivaonike s ravnim dnom, s posebnim naglaskom na neposrednu okolinu odvodnog otvora promjera najmanje 60 mm. **Sl. G**.

Kut nagiba od minimalno 6° od ruba odvodnog otvora umivaonika dovest će do dobre odvodnje i manjeg povratnog prskanja (promjera najmanje 60 mm). **Sl. H**.

Sl. I/J/K

Prijelaz od dna do stražnje i prednje stijenke

Također treba uzeti u obzir prijelaz od dna do stražnje i prednje stijenke. Stražnja stijenka treba biti što bliže 90° i pod što oštrijim promjerom, **Sl. I**. Vjerojatnije je da će zaobljena geometrija povećati povratno prskanje, **Sl. J**, a treba izbjegavati i naginjanje prijelaza prema prednjoj i stražnjoj stijenci, **Sl. K**.

Sl. L

Izljev sifona s čepom

Preporučuju se izljevi s čepom i najvećim promjerom, a treba izbjegavati rešetkaste ili perforirane izljeve sa čepom jer ograničavaju odvodnju sapunice. Nemojte koristiti čepove u umivaonicima.

SI. M

Regulacija temperature vode

Ako se priključak izvodi na toplu i hladnu vodu, morat ćete instalirati termostatski ventil. Ako priključujete samo dovod hladne vode, morat ćete instalirati grijač.

Dovod vode za ovaj proizvod mora imati uređaj za regulaciju temperature u skladu s lokalnim propisima.

A= termostatski ventil
B= dovod tople i hladne vode
C= željena temperatura na izlazu
D= prekidni ventil
E= grijač
F= ulaz hladne vode

Dodatne informacije

Instalacija

Za učvršćivanje uređaja na zid ne koristite brtvilo. Osigurajte da priključci električnih vodova i dovoda miješane vode te odvoda budu dostupni za spajanje. Mora se izvesti odgovarajuća izolacija dovodnih vodova napajanja električnom energijom i vode kako bi se mogli isključiti prije instalacije i tijekom servisiranja.

Električne instalacije

Dovodni napon/frekvencija: pogledajte nazivnu pločicu.
Izolacija prekidačem s osiguračem ili RCD-om ovisno o primjenjivosti.
Jakost struje 6,6 A.
Specifikacija kabela: PVC, dvožilni + PVC, jednožilni (uzemljenje)

Pri instalaciji ili popravku proizvoda morate se pridržavati lokalnih propisa o električnim instalacijama.
Nazivna snaga: pogledajte nazivnu pločicu.
Raspon radne temperature: 0° – 40 °C.
Potrošnja energije u mirovanju: manje od 0,5 W.
Maksimalna nadmorska visina: 2.000 m.

Upravljanje vodom

Brzina protoka vode: 4 l/min s normalnim aeratorom. 1,9 l/m sa sporim aeratorom koji se isporučuje s proizvodom.
Potreban tlak vode: 1 – 8 bara. Za rad je potreban 1 1/2" BSP izolirani ventil.
Sekundarni povrat vode izvedite što bliže ventilu za miješanje kako biste smanjili opasnost od razvoja bakterija Legionelle.

Uređaj za automatsko ispiranje

Jedinica je opremljena fiksnim automatskim uređajem za ispiranje vodom koji se aktivira na 60 sekundi 24 sata nakon posljednje uporabe. To pomaže u sprječavanju stagnacije vode i razvoja bakterija u proizvodu.

Jedinica se uvijek mora montirati iznad funkcionalnog spremnika sa slobodnim i spojenim ispustom.

Čišćenje dovodne vode i razvoj bakterija

U nekim državama postoje propisi ili smjernice koji zahtijevaju da se sustavi s reguliranom temperaturom vode (kao oni u slavini sa sušilom za ruke Dyson Airblade Wash+Dry) moraju podvrgavati redovitim čišćenju kako bi se smanjio razvoj bakterija. Da biste se mogli pridržavati tih propisa, slavina sa sušilom za ruke Dyson Airblade Wash+Dry projektirana je i ispitana tako da može izdržati čišćenje vrućom vodom do 95 °C te natrijevim hipokloritom u koncentraciji od 0,45 %.

Podatke o režimima čišćenja radi održavanja čistoće vode i sprječavanja razvoja bakterija potražite u specifičnim propisima (tržišnim) i preporukama za sustave za dovod vode u svojoj državi.

Prilikom provođenja internog čišćenja slavine sa sušilom za ruke Dyson Airblade Wash+Dry imajte na umu napomene o sigurnosti pri upotrebi vruće vode ili kemikalija. Tvrtka Dyson ne preuzima odgovornost za bilo kakve ozljede izazvane tim postupkom.

Robusna ispitivanja

Slavina sa sušilom za ruke Dyson Airblade Wash+Dry podvrgnuta je strogim i robusnim ispitivanjima kako bi se osiguralo da može izdržati značajne sile i udarce uobičajene za komercijalne i javne toalete.

Detaljan opis postupka

Sl. 1

Položaj

Postavite slavinu preko središta umivaonika, sl. 1.

Prema potrebi izrežite rupu promjera 35 mm u radnoj površini.

Sl. 2

Montaža slavine

Navucite gumenu brtvu od 1 mm na struk slavine, sl. 2a.

Provucite struk slavine i priključenu cijev za vodu te komunikacijski kabel kroz otvor u radnoj površini. Gumena brtva od 1 mm mora ravnomjerno i ravno nasjesti na slavinu.

Slavina mora biti u pravilnom položaju iznad umivaonika.

Navucite gumenu brtvu od 3,5 mm na struk slavine.

Umetnite vijke u mesingani sigurnosni prsten i malo ih pritegnite kako bi ostali na mjestu.

Navucite metalnu podlošku na struk slavine. Privijte mesinganu sigurnosnu maticu na struk slavine, ostavljajući pritom razmak od 5 mm ili manje između metalne podloške i mesingane sigurnosne matice.

Rukom čvrsto pritegnite vijke kroz mesinganu sigurnosnu maticu u metalnu podlošku.

A= gumena brtva od 1 mm
B= struk slavine
C= cijev za vodu
D= kabel senzora
E= brtva od 3,5 mm
F= metalna podloška
G= mesingana sigurnosna matica
H= 2 vijka

Sl. 3

Instalacija cijeva

Navucite sivo crijevo na cijev za vodu i kabel senzora, sl. 3a.

Provedite cijev za vodu kroz lijevu izlaznu rupu u kanalu za crijevo kao što je prikazano na sl. 3b.

Kliještama pažljivo provucite cijev za vodu do pune bijele crte, sl. 3c.

Pobrinite se da uvodnica na cijevi za vodu čvrsto nalegne u kanal crijeva i da dobro brtvi, sl. 3b.

Provedite kabel senzora kroz desnu izlaznu rupu, pažljivo ga provlačeći, sl. 3b. NEMOJTE koristiti kliješta jer biste mogli oštetiti električne priključke, sl. 3c. Osigurajte da uvodnica na kabelu dobro nasijeda na kanal za crijevo tako da bude potpuno zabrtvljeno, sl. 3d. Pri montaži si možete pomoći silikonskom mašću.

Rukom čvrsto navijte gornji prsten crijeva na struk slavine, sl. 3e.

A= sivo crijevo
B= cijev za vodu
C= kabel senzora

Sl. 4

Priprema za instalaciju stražnje ploče

Uklonite kućište motora sa stražnje ploče pritiskom crvenog zaponca za oslobađanje na dnu i podizanjem kao što je prikazano na sl. 4a. Spremite kućište motora na sigurno mjesto dok vam ne bude potrebno.

Skinite poklopac cijevi za vodu i poklopac s električnih komponenata sa stražnje ploče pomoću odvijača Torx T15, sl. 4b i 4c. Spremite ih na sigurno mjesto zajedno s pričvršnim elementima dok vam ne budu potrebni.

Sl. 5

Planiranje instalacije stražnje ploče

Stražnja se ploča može postaviti na jedan od tri načina: okomito ili 90° vodoravno lijevo ili desno. Udaljenost od poda mora biti najmanje 100 mm, vidi sl. 5a.

Stražnja ploča mora biti postavljena tako da se crijevo može lako priključiti.

NEMOJTE postavljati motor naopačke, tako da crijevo bude okrenuto prema dolje ili postavljeno iznad slavine, vidi sl. 5b.

Označite položaj stražnje ploče na zidu.

Kabelski ulaz

Kabelski ulaz može biti kroz postolje ili izravno kroz zid u stražnju stranu jedinice kroz stražnji ulaz kabela. Odlučite prije početka rada.

Ako odaberete opciju s kabelskim ulazom kroz postolje, kliještama pažljivo izvadite prethodno označenu lomljivu ploču postolja stražnje ploče. Glatko isturpijajte rubove dijela koji viri, sl. 5c.

Dovod vode

Priključak vode se izvodi na lijevoj strani stražnje ploče. Priključak vode se ne može okretati unutar stražnje ploče, sl. 5d.

Sl. 6

Montaža stražnje ploče

Ako se predviđa kabelski ulaz izravno kroz stražnju ploču iz zida, provucite električni kabel prije učvršćivanja stražnje ploče na zid.

Fiksirajte stražnju ploču na zid odgovarajućim pričvršnim elementima, sl. 6.

Nemojte upotrebljavati upuštene vijke.

Sl. 7

Spajanje kabela senzora

Učvrstite sivo crijevo kopčom na stražnju ploču.

Utaknite kabel senzora u crijevu u priključak u stražnjoj ploči kao što je prikazano na sl. 7. Provjerite usmjerenje priključka; dva jezička moraju biti poravnata. Kabel mora biti pravilno proveden u stražnjoj ploči.

Sl. 8

Priključivanje cijevi za vodu

Odrežite cijev za vodu na odgovarajuću dimenziju po isprekidanoj bijeloj crti kao što je prikazano na sl. 8a.

Navucite stezaljku crijeva (isporučena) na cijev za vodu, [sl. 8b.](#)

Uklonite 2 križna vijka i otkopčajte elektromagnetni ventil sa stražnje ploče, [sl. 8b.](#)

Pričvrstite cijev za vodu na elektromagnetni ventil, [sl. 8c.](#)

Ponovno pričvrstite elektromagnetni ventil na stražnju ploču i pritegnite s 2 vijka, [sl. 8d.](#)

Pritegnite stezaljku cijevi i provjerite je li kabel elektromagnetnog ventila pravilno postavljen u kanalu.

Sl. 9

Priključivanje dovoda napajanja

Provedite napajanje električne energije do stražnje ploče pomoću odobrenog elastičnog ili čvrstog voda i pričvrstite elementa. Pazite da kabel za napajanje bude dovoljno dugačak da se može priključiti u blok s priključcima montiran na stražnjoj ploči.

Provedite kabel u stražnju ploču i pričvrstite kabelskom uvodnicom.

Ogulite kabel do odgovarajuće duljine i pričvrstite fazu i neutralni vod u odgovarajući blok s priključcima kao što je prikazano na [sl. 9.](#) Prije nastavka osigurajte ispravan položaj kabela.

Sl. 10

Vraćanje poklopca na električne instalacije

Pričvrstite poklopac električnih instalacija i osigurajte ga sa 6 pričvrstnih elemenata, pazite da ne priključite žice.

Sl. 11

Priključivanje dovoda miješane vode

NAPOMENA: Prije priključivanja na stražnju ploču dovod vode mora biti potpuno ispran od otpadnih materijala, bakrenih strugotina itd. U protivnom biste mogli prouzročiti oštećenja elektromagnetnog ventila.

Spojite izolirani dovod miješane vode na stražnju ploču.

Otvorite dovod vode.

Provjerite ima li curenja na glavnom ulazu dovoda vode i priključku cijevi za vodu prema slavini.

Također provjerite eventualna propuštanja na spojevima elektromagnetnog ventila.

Sl. 12

Uključivanje napajanja

Uključite napajanje uređaja.

CIKLUS KALIBRACIJE: Nakon instalacije slavina će proći kroz ciklus kalibracije u trajanju od 30 sekundi.

Postavite ruku ispod senzora na slavini da biste aktivirali protok vode. [Sl. 12a.](#)

Provjerite propuštanja prema prikazu na [Sl. 11.](#)

Pričvrstite poklopac za cijev za vodu na stražnju ploču pomoću dva isporučena pričvrstna elementa, [Sl. 12b.](#)

Sl. 13

Sklapanje kućišta motora

Zakvačite motor na gornji dio poklopca za električne instalacije. Zakrenite ga prema dolje tako da uskoči na mjesto kao što je prikazano. Pritisnite da biste učvrstili, [Sl. 13a.](#)

DODATNA OPCIJA: Isporučeni vijak služi za fiksiranje crvenog gumba za otpuštanje i sprječavanje neželjenog uklanjanja kućišta motora.

Provjerite pravilan rad jedinice.

Pričvršćivanje kućišta motora na stražnju ploču (dodatna opcija).

Da biste uklonili HEPA filter, odvijačem pažljivo otpustite jezičac na filteru kao što je prikazano na [sl. 13b.](#)

Pričvrstite kućište motora na stražnju ploču isporučenim sigurnosnim vijkom [sl. 13c.](#)

Ponovno priključite filter, pazite da uskoči na mjesto, [sl. 13d.](#)

Ispitivanje instalacije

Ispitajte radi li sušilo za ruke ispravno:

- Stavite ruke ispod središta slavine i voda će automatski teći sve dok ruke držite na mjestu.
- Stavite ruke na bilo koju stranu u odnosu na središte slavine da biste aktivirali sušilo, stvarajući ravne mlazove zraka koji će uklanjati vodu s ruku.
- Polako pomičite ruke naprijed nazad kroz zrak. Okrećite ruke tako da vam dlanovi i gornji dio budu izloženi protoku zraka.

Rješavanje problema

Sušilo za ruke se ne pokreće:

- Provjerite je li osigurač ispravan i jesu li dovodi napajanja i vode priključeni.
- Kapica za čišćenje mora biti uklonjena, a senzori moraju biti čisti i slobodni.
- Isključite i ponovno uključite jedinicu.

Sušilo za ruke nepravilno se uključuje i isključuje:

- Isključite i ponovno uključite jedinicu.
- Slivnik umivaonika ne smije biti zatvoren čepom; uklonite čep ako je prisutan.
- Provjerite je li kabel senzora iz slavine dobro pričvršćen.

Sušilo za ruke ponekad se isključi tijekom upotrebe:

- Isključite i ponovno uključite jedinicu.
- Provjerite jesu li senzori čisti.
- Provjerite jesu li ulazi zraka čisti i bez prašine. Ako su ulazi zraka prašnjava, uklonite prašinu.
- Osigurajte da ulazi za zrak budu slobodni i da ima dovoljno slobodnog prostora.

Vrijeme sušenja se produljilo:

- Provjerite ima li na ulazima zraka prašine i po potrebi očistite.
- Pregledajte HEPA filter i po potrebi promijenite.
- Osigurajte da crijevo bude sigurno pričvršćeno na postolje slavine i da nema curenja.

Protok zraka je topliji nego obično:

- Provjerite ima li na ulazima zraka prašine i po potrebi očistite.
- Pregledajte filter i po potrebi promijenite.
- Pobrinite se da crijevo bude sigurno pričvršćeno na postolje slavine i da nema curenja.

Zrak stalno izlazi:

- Provjerite ima li u slivniku predmeta i prema potrebi ih uklonite.
- Osigurajte da senzori budu čisti i slobodni.
- Pregledajte HEPA filter i po potrebi promijenite.
- Osigurajte da crijevo bude sigurno pričvršćeno na postolje slavine i da nema curenja.

Zrak ne izlazi:

- Isključite i ponovno uključite jedinicu.
- Provjerite je li osigurač ispravan i je li napajanje priključeno.
- Provjerite jesu li senzori čisti.
- Provjerite je li crijevo dobro pričvršćeno na osnovu slavine i da nema curenja.
- Provjerite je li kabel senzora iz slavine dobro pričvršćen.

Voda stalno teče iz slavine:

- Osigurajte da senzori budu čisti i slobodni.

Voda ne teče iz slavine:

- Provjerite jesu li dovodi napajanja i vode uključeni i je li izolacijski ventil otvoren.
- Osigurajte da aerator bude slobodan od otpadaka, prema potrebi uklonite i očistite/zamijenite.

Voda koja dolazi iz slavine previše je topla ili hladna:

- Provjerite je li ventil za miješanje postavljen na željenu temperaturu.
- Za dodatnu podršku i informacije možete se obratiti službi za korisnike tvrtke Dyson ili putem interneta na www.dyson.com

HU

Tartalom

Fontos biztonsági utasítások 125 

A doboz tartalma 126

Telepítés előtti ellenőrzések 127

Telepítés

Lépésről lépésre 129

A telepítés ellenőrzése 131

Hibaelhárítás 131

FONTOS BIZTONSÁGI UTASÍTÁSOK

OLVASSA EL ÉS ŐRIZZE MEG EZT AZ ÚTMUTATÓT

A KÉSZÜLÉK ÜZEMBE HELYEZÉSE ÉS HASZNÁLATBA VÉTELE ELŐTT OLVASSA EL A JELEN SZERELÉSI ÚTMUTATÓBAN ÉS A FELHASZNÁLÓI ÚTMUTATÓBAN SZEREPLŐ UTASÍTÁSOKAT ÉS FIGYELMEZTETŐ JELZÉSEKET.

FIGYELMEZTETÉS

MINDEN TELEPÍTÉSI ÉS JAVÍTÁSI (VÍZSZERELÉSI ÉS ELEKTROMOS) MUNKÁT SZAKKÉPZETT SZEMÉLYNEK VAGY A DYSON VÁLLALAT KARBANTARTÓ MÉRNÖKÉNEK KELL VÉGREHAJTANIA A HELYI ELŐÍRÁSOK VAGY RENDELKEZÉSEK SZERINT.

FIGYELMEZTETÉS

ÁRAMÜTÉS VESZÉLYE!

A BURKOLAT ELTÁVOLÍTÁSA VAGY NEM MEGFELELŐ KEZELÉSE ESETÉN A KÉSZÜLÉK BELSŐ ALKATRÉSZEI KÁRT OKOZHATNAK VAGY MARADANDÓ KÁROSODÁST SZENVEDHETNEK.

A TŰZ, ÁRAMÜTÉS VAGY SZEMÉLYI SÉRÜLÉS VESZÉLYÉNEK CSÖKKENTÉSE ÉRDEKÉBEN AZ EGYSÉGET FÖLDELNI KELL.

Bármilyen telepítési munkaművelet megkezdése előtt ellenőrizze az alábbiakat.

- Ellenőrizze, hogy a használt áramforrás megfelel-e az adattáblán megadottnak.

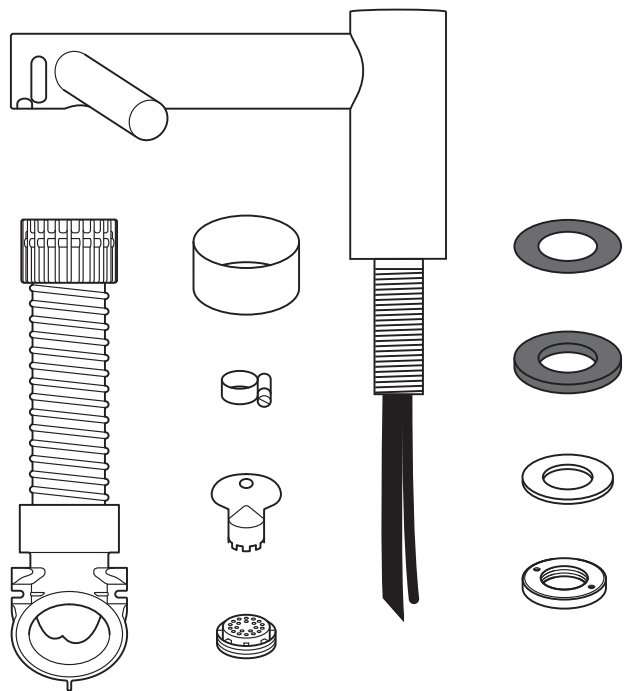
- A helyi kábelezési előírásoknak megfelelően egy minden pólus megszakítását biztosító eszközt kell a rögzített kábelezésbe építeni.
- A tápellátást megfelelő vezetőcső és elektromos szerelvények alkalmazásával csatlakoztassa. Ügyeljen arra, hogy a vezetőcső és a vezetékek elegendően hosszúak legyenek a hátlaphoz és a csatlakozóegységhez való bekötéshez. Oldalsó bevezetéshez merev fém vezetőcső nem alkalmas.

FIGYELMEZTETÉS

Az alkatrészek kicsomagolása során legyen óvatos. Előfordulhatnak olyan éles peremek/sarkok, amelyek vágásokat vagy egyéb sérüléseket okozhatnak.

NE HASZNÁLJON ERŐS VÍZSUGARAT A KÉSZÜLÉK TISZTÍTÁSÁRA VAGY A KÉSZÜLÉK KÖZELÉBEN.

A doboz tartalma

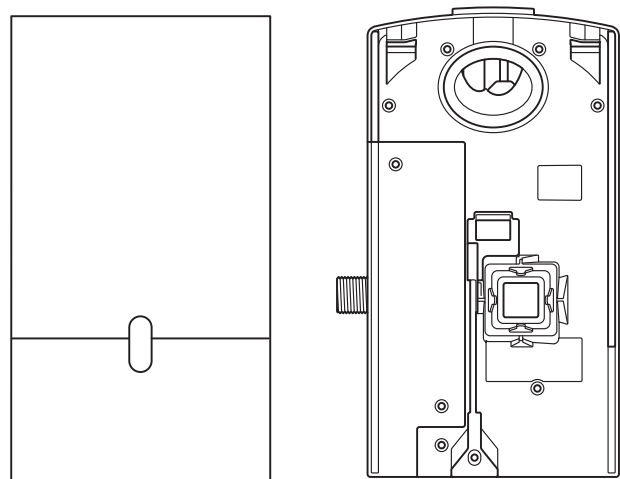


x2  

x1  

Szükséges szerszámok:

- Kis csillagfejű csavarhúzó
- 7 mm-es lapos csavarhúzó
- 2,5 mm-es lapos csavarhúzó
- Torx csavarhúzó, T15
- Mérőszalag és ceruza
- Kézi fúró
- Alkalmas fúrófej
- Fogó/csupasztító
- Kés
- Franciakulcs



Telepítés előtti ellenőrzések

A) ábra

A telepítés megtervezése

A Dyson Airblade Wash+Dry kézzárítót úgy tervezték, hogy a villanymotoros egység a falra van szerelve, és a mosdókagyló alatt helyezkedik el (A(i). ábra).

A jóállást érintő károsodások megelőzése érdekében ajánlott a csővezetékbe levegőszűrőt is beépíteni.

- Hagyjon elegendő helyet a beszereléshez és a szervizeléshez (lásd: A(ii). ábra).
- A készülék kizárólag száraz, beltéri helyen használható.
- A vonatkozó telepítési irányelveket keresse a helyi és állami előírásokban és rendelkezésekben. Az ezeknek való megfelelés a telepítő felelőssége. Gondoskodjon arról, hogy a készüléket az építési előírásoknak és/vagy rendelkezéseknek megfelelően telepítsék.
- A helyi kábelezési előírásoknak megfelelően egy minden pólus megszakítását biztosító eszközt kell a rögzített kábelezésbe építeni.
- Telepítés vagy karbantartás előtt válassza le a táp- és a vízellátást.
- Ügyeljen arra, hogy közvetlenül a fűrés/felszerelés helye mögött ne legyenek csővezetékek (gáz, víz, levegő) vagy elektromos kábelek, vezetékek vagy vezetékcsatornák.
- A telepítéshez és a javításhoz a Dyson védőruházat, védőszemüveg és szükség szerint egyéb eszközök használatát javasolja.
- A készüléket állandóan a vízvezetékre kell csatlakoztatni.

A készülék használata élelmiszer-előkészítő helyiségekben

Ételkészítési környezetben speciális telepítés szükséges, mivel teljesen körül kell venni a motortartályt és a tömlőt egy tisztítható burkolattal, illetve a motortartálynak a fal túloldalán kell lennie, továbbá elegendő teret kell hagyni az alsó tisztításhoz (ha ez szükséges), és biztosítani kell, hogy az egység legalább 2,5 méterre legyen a fedetlen élelmiszerektől vagy a fedetlen élelmiszerekkel érintkező felületektől.

A telepítés megkezdése előtt vegye figyelembe a mosdókagylókkal kapcsolatos útmutatót a www.dyson.hu weboldalon.

B) ábra

Mosdókagylók előírásainak irányelvei

A kifejezetten erre a célra tervezett ellenőrzési módszerrel a Dyson szakemberei a mosdókagylók széles körét vizsgálták a Dyson Airblade Wash+Dry kézzárítóval való kompatibilitás szempontjából. A javasolt mosdókagylókhoz használja útmutatónkat: www.dyson.hu.

A porcelán és a csiszolt fém mosdókagylók a legalkalmasabbak. Célszerű kerülni az erősen fényezett, például tükröző króm felületű mosdókagylókat. A mosdókagyló minimális méreteinek tekintetében lásd a B) ábrát.

C)/D)/E) ábra

Csap felszerelése

Legalább 100 mm és legfeljebb 155 mm távolságnak kell lennie a mosdókagyló teteje és a csap középpontja között, C) ábra.

Legalább 290 mm távolságnak kell lennie a csap középpontja és egy oldalfal között. Több csap egymás melletti felszerelésekor a csapok középpontjainak legalább 580 mm távolságra kell lenniük egymástól. Ez elegendő helyet biztosít a motorburkolat felszereléséhez, valamint a felhasználók vállal számára, D) ábra.

A csap lefelé néző vízzérkelőjét ne helyezze fényvisszaverő felület, például lefolyónyílás fölé, E) ábra.

F) ábra

Szappan és a szappanadagoló elhelyezése

A legkedvezőbb felhasználói élmény biztosítása érdekében a Dyson folyékony szappan használatát javasolja.

A légáram bekapcsolására szolgáló infravörös érzékelési sáv kiterjed minden csapágra. A véletlen bekapcsolás elkerülése érdekében fontos figyelembe venni a felhasználó kezének útvonalát a szappanadagolóig.

Az adagolót legalább 60 mm-rel a csap szélességén kívül kell elhelyezni, hogy a felhasználó az ág oldala mentén érje el.

Emellett legalább 60 mm-rel a csapágak fölött kell elhelyezni, hogy az érzékelők ne kapcsoljanak be.

Ügyeljen arra, hogy felhasználó átlósan is elérheti a szappant, így ennek az útvonalnak nem szabad áthaladnia az érzékelési sávon.

G)/H) ábra

Vízvezetés

A nagy sebességű levegő és a víz közelsége miatt előfordulhat, hogy némi víz és szappan a mosdókagylón kívülre kerül. Ennek elkerülése érdekében az alábbi irányelvek betartását javasoljuk.

Alaprofil

Lapos alaprofilnál gyenge a vízvezetés, amely jelentős visszafröccsenést eredményez. A vízvezetés javítása érdekében kerülje a lapos alaprofilú mosdókagylókat, különös tekintettel a lefolyónyílás körüli területre, amelynek sugara legalább 60 mm legyen, G) ábra.

A mosdókagyló lefolyónyílásának szegélyétől számítva a lejtő szöge legalább 6° legyen, amely megfelelő vízvezetést biztosít, és csökkenti a visszafröccsenést (legalább 60 mm-es sugárral), H) ábra.

I)/J)/K) ábra

Az alap és a hátfal/elülső fal közötti átmenet

Az alap és a hátfal/elülső fal közötti átmenetet is figyelembe kell venni. A hátfalnak a lehető legközelebb kell lennie a 90° értékhez, és éles sugárral kell rendelkeznie, lásd I) ábra. Az ívelt geometria jobban növeli a visszafröccsenést, lásd J) ábra, míg a hátfal/elülső fal lejtős átmenetét kerülni kell, lásd K) ábra.

L) ábra

Kifolyónyílás

A teljesen nyitott kifolyónyílások használata javasolt, míg a rácsos vagy átluggatott típusokat kerülni kell, mert korlátozzák a szappanos víz (szappanhab) elvezetését. Ne használjon dugót a mosdókagylók kifolyónyílásában.

M) ábra

A víz hőmérsékletének szabályozása

Meleg és hideg vízű táplálás esetén keverőszelepet kell felszerelni. Kizárólag hideg vízre csatlakozásnál fűtőberendezés felszerelése szükséges.

A termék vízellátását hőmérséklet-szabályozó eszközzel kell ellátni a helyi előírásoknak megfelelően.

- A= Keverőszelep
- B= Meleg és hideg táplálás
- C= Kívánt kimeneti hőmérséklet
- D= Leválasztószelep
- E= Fűtőberendezés
- F= Hideg táplálás

További információk

Telepítés

Ne használjon tömítőanyagot az egység falra történő rögzítésekor. Biztosítsa, hogy a megfelelő áramellátás, kevertvízellátás és vízvezető-csatlakozás rendelkezésre álljon a későbbi csatlakoztatás érdekében.

Gondoskodni kell az elektromos tápellátás és a vízellátás megfelelő leválasztásáról a telepítéshez és a szervizeléshez.

Elektromos adatok

Bemeneti feszültség/frekvencia: lásd az adattáblát.
Kapcsolóbiztosítékkal vagy RCD eszközzel leválasztva.
Áramerősség: 6,6 A.
Kábeladatok: Kéteres PVC + egyeres PVC (föld)
A termék felszerelésekor és javításakor be kell tartani a helyi elektromos előírásokat.
Névleges teljesítmény: lásd az adattáblát.
Üzemi hőmérséklet-tartomány: 0–40°C.
Készletli teljesítményfelvétel: legfeljebb 0,5 W.
Maximális tengerszint feletti magasság: 2000 méter.

Vízellátás

Víz átfolyási sebessége: 4 l/perc szokásos szellőzőnél. 1,9 l/perc a termékhez mellékelt szellőzőnél.

Előírt víznyomás: 1–8 bar. 1/2" BSP méretű leválasztó szelep szükséges a szervizeléshez. A másodlagos forróvízig a lehető legközelebb legyen a keverőszelephez, hogy csökkentse a Legionella baktériumok növekedésének kockázatát.

Automatikus üzemi öblítés

Az egységet nem kikapcsolható automatikus vízöblítéssel látták el, amely 24 órával az utolsó használat után kapcsol be 60 másodpercre. Ez segít csökkenteni a vízpangás és a baktériumok elszaporodásának kockázatát a termékben.

Ügyeljen arra, hogy az egység alatt lévő kagyló mindig használatra kész legyen, átjárható és csatlakoztatott lefolyóval.

A vízellátás tisztasága és a biológiai növekedés

Egyes országokban szabályozások és irányelvek írják elő a hőmérséklet-szabályozott vízellátó rendszerek (ilyen például a Dyson Airblade Wash+Dry kézszáritót ellátó rendszer) rendszeres időközönkénti tisztítását a biológiai növekedés minimálisra csökkentése érdekében. Az ilyen szabályozásoknak való megfelelés lehetővé tételéhez a Dyson Airblade Wash+Dry kézszáritó úgy lett kialakítva és ellenőrizve, hogy képes legyen ellenállni az akár 95 °C hőmérsékletű vízzel és a 0,45% koncentrációjú nátrium-hipoklorittal való belső tisztításnak.

A vízellátás tisztaságával és a biológiai növekedéssel kapcsolatos tisztítási eljárásoknál vegye figyelembe az országában érvényes szabályozásokat és ajánlásokat.

A Dyson Airblade Wash+Dry kézszáritó belső tisztításának végrehajtásakor vegye figyelembe a forró víz vagy a vegyszerek használatára vonatkozó biztonsági megfontolásokat. A Dyson nem vállal felelősséget az ilyen eljárással okozott sérülésekért.

Rongálódási ellenőrzés

A Dyson Airblade Wash+Dry kézszáritón rongálódási ellenőrzést végeztek annak biztosítására, hogy képes legyen ellenállni a kereskedelmi és nyilvános mosdóhelyiségekben általában előforduló erőhatásoknak és behatásoknak.

Lépésről lépésre

1. ábra

Elhelyezés

A csapot a mosdókagyló közepén helyezze el (1. ábra).

Szükség esetén vágjon egy 35 mm-es nyílást a munkafelületbe.

2. ábra

A csap felszerelése

Csúsztassa az 1 mm-es gumitömítést a csap szájára (2a. ábra).

Vezesse át a csap száját, valamint a hozzá kapcsolódó vízcsövet és kommunikációs kábelt a munkafelület nyílásán. Ügyeljen, hogy az 1 mm-es gumitömítés egyenletesen és teljesen felfeküdjön a csap aljára.

Ügyeljen arra, hogy a csap a megfelelő helyzetben legyen a lefolyó fölött.

Csúsztassa a 3,5 mm-es gumitömítést a csap szájára.

Helyezze a csavarokat a réz rögzítőgyűrűre, és húzza meg őket kissé, hogy a helyükön maradjanak.

Csúsztassa a fém alátétet a csap szájára.

Csavarja a réz rögzítőanyát a csap szájára, és hagyjon legfeljebb 5 mm-es hézagot a fém alátét és a réz rögzítőanya között.

Húzza meg kézzel a csavarokat a fém alátétben a réz rögzítőanyán keresztül.

A= 1 mm-es gumitömítés

B= a csap szára

C= vízcső

D= az érzékelő kábele

E= 3,5 mm-es tömítés

F= fém alátét

G= réz rögzítőanya

H= 2 db csavar

3. ábra

A tömlő bekötése

Csúsztassa a szürke csövet a vízcsőre és az érzékelő kábelére (3a. ábra).

Vezesse át a vízcsövet a csőcsatorna bal oldali kimeneti nyílásán a 3b. ábra szerint.

Fogóval óvatosan húzza át a vízcsövet a folyamatos fehér vonalig (3c. ábra).

Ellenőrizze, hogy a vízcsövön lévő tömítés hermetikus tömítést adva illeszkedik-e a csőcsatornába (3b. ábra).

Vezesse át az érzékelő kábelét a jobb oldali kimeneti nyíláson, és húzza át óvatosan (3b. ábra). NE használjon fogót, mert megsértheti a villamos csatlakozót (3c. ábra). Ellenőrizze, hogy a kábelben lévő tömítés hermetikus tömítést adva illeszkedik-e a csőcsatornába (3d. ábra). A tömítés elősegítésére használhat szilikonzsirt.

Csavarja a cső felső gallérját a csap szájába, és húzza meg kézzel (3e. ábra).

A= szürke cső

B= vízcső

C= az érzékelő kábele

4. ábra

A hátlap felszerelésének előkészítése

Vegye le a motorburkolatot a hátlapról a piros kioldóreteszeket megnyomva annak alján, és felemelve a burkolatot (4a. ábra). Tárolja biztonságos helyen a motorburkolatot, amíg szükséges.

Szerelje le a hátlapról a vízcsőburkolatot és a villamos rész burkolatát Torx T15 csavarhúzóval (4b. és 4c. ábra). Tárolja biztonságos helyen ezeket a rögzítőelemekkel együtt, amíg szükséges.

5. ábra

A hátlap felszerelésének megtervezése

A hátlap háromféleképpen állítható be: függőlegesen, illetve 90°-kal jobbra vagy balra vízszintesbe elforgatva. A padlótól való távolság legalább 100 mm legyen (5a. ábra).

Ügyeljen arra, hogy a hátlap úgy álljon, hogy a csövet könnyen lehessen csatlakoztatni.

NE állítsa fejjel lefelé a villanymotort úgy, hogy a cső lefelé nézzen, vagy helyezze a csap fölé (5b. ábra).

Jelölje be a hátlap helyét a falon.

Kábelbemenet

A kábelbevezetés történhet az alaplapról vagy a falról, közvetlenül az egység hátsó részébe a hátsó kábelbevezetési ponton át. A kezdés előtt döntse el, melyiket választja.

Ha az alaplap kábelbemenetét használja, akkor fogóval óvatosan csípje ki a panelen jelölt kitorést a hátlap alján. Reszelje simára a kitorés éleit (5c. ábra).

Vízbemenet

A vízcsatlakozás a hátlap bal oldalán található. A vízcsatlakozás nem forgatható el a hátlapon (5d. ábra).

6. ábra

A hátlap felszerelése

Ha a kábelt a falról közvetlenül a hátlapba vezeti be, húzza át a villamos kábelt, mielőtt rögzíti a hátlapot a falra.

Rögzítse a hátlapot a falra a megfelelő rögzítőelemekkel (6. ábra).

Ne használjon sülyesztett fejű csavarokat.

7. ábra

Az érzékelő kábelének csatlakoztatása

Pattintsa be a tömlőt a hátlapba.

Dugja az érzékelőnek a csőben lévő kábelét a hátlap csatlakozójába a 7. ábra szerint. Ellenőrizze a csatlakozó tájolását: a két fülnek illeszkednie kell egymáshoz. Ellenőrizze, hogy a kábel megfelelően van-e vezetve a hátlapban.

8. ábra

A vízcső bekötése

Vágja méretre a vízcsövet a fehér pontvonal mentén a 8a. ábra szerint.

Csúsztassa a (mellékelt) csőbilincset a vízcsőre (8b. ábra).

Csavarja ki a 2 db keresztfejű csavart, és a bilincset kioldva vegye le a mágnesszelepet a hátlapról (8b. ábra).

Csatlakoztassa a vízcsövet a mágnesszelephez (8c. ábra).

Csatlakoztassa a mágnesszelepet a hátlapra a bilinccsel, és húzza meg a két csavart (8d. ábra).

Húzza meg a csőbilincseket, és ellenőrizze, hogy a mágnesszelep kábele megfelelően van-e elhelyezve a tartócsatornában.

9. ábra

Az elektromos tápellátás bekötése

A tápellátást jóváhagyott hajlékony vagy merev vezetőcső és szerelvények alkalmazásával vezesse a hátlaphoz.

Ellenőrizze, hogy a tápkábel elég hosszú-e ahhoz, hogy elérjen a hátlapra szerelt csatlakozóegységhez.

Vezesse a kábelt a hátlapba, és húzza meg a kábel szorítóhüvelyét.

A kábelt a megfelelő hosszúságon csupasztítsa meg, és rögzítse a fázis- és a nulla vezetőket a megfelelő csatlakozóba, amint azt a 9. ábra mutatja. Folytatás előtt ellenőrizze a kábelek helyes elhelyezését.

10. ábra

A villamos részegység fedelének felszerelése

Helyezze fel a villamos részegység fedelét, és rögzítse a mellékelt 6 csavarral, ügyelve arra, hogy ne legyen becsípődött vezeték.

11. ábra

A kevert vízellátás csatlakoztatása

A hátlap csatlakoztatása előtt ellenőrizze, hogy a vízáramlást teljesen megtisztította a törmeléktől, rézreszeléktől, stb.

Ennek elmulasztása a mágnesszelep károsodását okozhatja.

Kösse be a szigetelt, kevert vízellátást a hátlapba.

Nyissa meg a vizet.

Vizsgálja meg, hogy nincs-e szivárgás a fő vízellátás bekötésénél, valamint a vízcső és a csap csatlakozásánál.

Ellenőrizze szivárgás szempontjából a mágnesszelep bekötését is.

12. ábra

A tápellátás bekapcsolása

Kapcsolja be a készülék tápellátását.

KALIBRÁLÁSI CIKLUS: Felszerelés után a csap egy 30 másodperces kalibrálási ciklust hajt végre.

Helyezze a kezét a csapon lévő érzékelő alá a vízáramlás bekapcsolásához, 12a. ábra.

Ellenőrizze, hogy nincs szivárgás, 11. ábra.

Rögzítse a vízcső burkolatát a hátlapon a 2 mellékelt csavarral, 12b. ábra.

13. ábra

A motorburkolat összeállítása

Akassza a motorburkolatot a villamos részegység fedelének felső részére. Forgassa lefelé, hogy bekattanjon a helyére az ábrán látható módon. Erőteljesen nyomja be, 13a. ábra.

OPCIONÁLIS: A mellékelt csavar a piros kioldógomb rögzítésére és a motorburkolat nem kívánt eltávolításának megakadályozására szolgál.

Ellenőrizze az egység megfelelő működését.

Rögzítse a motorburkolatot a hátlaphoz (opcionális).

A szűrő leszereléséhez csavarhúzóval óvatosan oldja ki a szűrőn lévő fület a 13b. ábra szerint.

Rögzítse a motorburkolatot a hátlaphoz a mellékelt rögzítőcsavarral, 13c. ábra.

Csatlakoztassa vissza a szűrőt, ügyelve, hogy a helyére pattanjon, 13d. ábra.

A telepítés ellenőrzése

Ellenőrizze a képszárító megfelelő működését:

- Helyezze kezeit a csap középpontja alá, a víz automatikusan folyik, amíg a kezeit ott tartja.
- Helyezze kezeit a csap középső része mellé, bármelyik oldalra a képszárító bekapcsolásához.
- Mozgassa kezeit lassan előre és hátra a légáramban. Fordítsa meg kezeit, hogy a légáram a keze mindkét oldalát érje.

Hibaelhárítás

A képszárító nem indul el:

- Ellenőrizze a biztosíték/áramköri megszakító működését, valamint a táp- és vízellátás csatlakoztatását.
- Gondoskodjon arról, hogy a tisztítósapka le legyen véve, és hogy az érzékelők tiszták és akadálymentesek legyenek.
- Kapcsolja ki, majd kapcsolja be a készüléket.

A képszárító kiszámíthatatlan módon kapcsol be és kapcsol ki:

- Kapcsolja ki, majd kapcsolja be a készüléket.
- Gondoskodjon róla, hogy ne legyen dugó a mosdókagylóban – ha van, távolítsa el.
- Ellenőrizze, hogy tiszták-e az érzékelők.
- Ellenőrizze, hogy a csaptól kiinduló érzékelőkábel megfelelően van-e csatlakoztatva.

A képszárító időnként használat közben leáll:

- Kapcsolja ki, majd kapcsolja be a készüléket.
- Ellenőrizze, hogy tiszták-e az érzékelők.
- Ellenőrizze, hogy a levegőbemenetek tiszták és pormentesek-e. Ha a levegőbemenetek porosak, egyszerűen távolítsa el a port.
- Ügyeljen arra, hogy a levegőbemenetek akadálymentesek legyenek, és megfelelő távolságra legyenek a környező tárgytól.

Megnövekedett a szárítási idő:

- Ellenőrizze, hogy a levegőbemenetek nem porosak-e; szükség esetén távolítsa el a port.
- Vizsgálja meg a szűrőt, és szükség szerint cserélje ki.
- Ellenőrizze, hogy a tömlő szilárdan rögzül a csap alapjához, és nem észlelhető szivárgás.

A légáram melegebb a szokásosnál:

- Ellenőrizze, hogy a levegőbemenetek nem porosak-e; szükség esetén távolítsa el a port.
- Vizsgálja meg a szűrőt, és szükség szerint cserélje ki.
- Ellenőrizze, hogy a tömlő szilárdan rögzül a csap alapjához, és nem észlelhető szivárgás.

A levegő folyamatosan áramlik:

- Ellenőrizze, hogy nincsenek-e tárgyak a mosdókagylóban, és szükség szerint távolítsa el azokat.
- Ellenőrizze, hogy az érzékelők tiszták, és semmi nem takarja azokat.
- Vizsgálja meg a szűrőt, és szükség szerint cserélje ki.
- Ellenőrizze, hogy a tömlő szilárdan rögzül a csap alapjához, és nem észlelhető szivárgás.

Nincs légáramlás:

- Kapcsolja ki, majd kapcsolja be a készüléket.
- Ellenőrizze a biztosíték/áramköri megszakító működését, valamint a tápellátás csatlakoztatását.
- Ellenőrizze, hogy tiszták-e az érzékelők.
- Ellenőrizze, hogy a légtömlő szilárdan rögzül-e a csap alapjához, és nem észlelhető szivárgás.
- Ellenőrizze, hogy a csaptól kiinduló érzékelőkábel biztonságosan van-e csatlakoztatva.

A víz folyamatosan folyik a csapból:

- Ellenőrizze, hogy az érzékelők tiszták, és semmi nem takarja azokat.

Nem folyik víz a csapból:

- Ellenőrizze az áram- és a vízellátást, valamint a leválasztószelep nyitott állapotát.
- Ellenőrizze, hogy a perlátor mentes a törmelékektől, majd távolítsa el a törmeléket és tisztítsa meg/cserélje ki, ha szükséges.

A csapból folyó víz túl meleg vagy túl hideg:

- Ellenőrizze a keverőszelepnél a kívánt hőmérséklet beállítását.
- További támogatásért és információkért forduljon a Dyson ügyfélszolgálatához, vagy keressen bennünket online a www.dyson.hu címen.

ID

Daftar Isi

Petunjuk Keselamatan Penting 133 

Di dalam kotak 134

Pemeriksaan sebelum pemasangan 135

Pemasangan

Langkah demi langkah 137

Pemasangan pengujian 139

Jika ada masalah 139

PETUNJUK KESELAMATAN PENTING

BACA DAN SIMPAN PETUNJUK INI

SEBELUM MEMASANG ATAU MENGGUNAKAN UNIT INI, BACA SEMUA PETUNJUK DAN TANDA PERINGATAN DI DALAM PANDUAN PEMASANGAN INI DAN BUKU PETUNJUK PEMILIK.

PERINGATAN

SEMUA PEKERJAAN PEMASANGAN DAN PERBAIKAN (PEMIPAAN DAN LISTRIK) HARUS DILAKUKAN OLEH TEKNISI LISTRIK BERKUALIFIKASI ATAU INSINYUR SERVIS DYSON SESUAI DENGAN UNDANG-UNDANG ATAU PERATURAN SETEMPAT YANG BERLAKU.

PERINGATAN

RISIKO TERSENGAT LISTRIK!

JIKA CASING DILEPASKAN ATAU DITANGANI SECARA TIDAK SESUAI, KOMPONEN DI DALAM UNIT DAPAT MENYEBABKAN BAHAYA ATAU MENJADI RUSAK SECARA PERMANEN.

UNIT INI HARUS DIBUMIKAN UNTUK MENGURANGI RISIKO KEBAKARAN, SENGATAN LISTRIK, ATAU CEDERA PADA ORANG.

Sebelum memulai pekerjaan pemasangan apa pun Anda harus memastikan yang berikut:

- Periksa apakah sumber daya listrik sesuai dengan yang tertera pada pelat rating.
- Unit ini harus dibumikan untuk mengurangi risiko kebakaran, sengatan listrik, atau cedera pada orang.

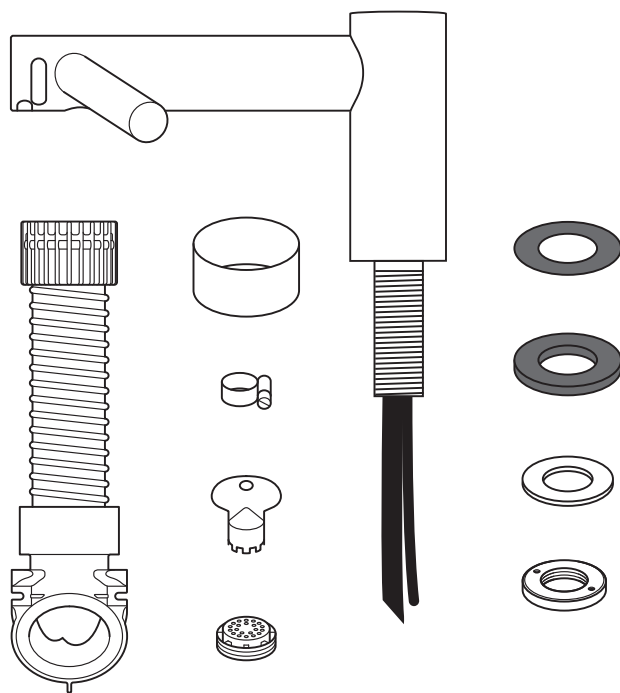
- Hubungkan sumber daya listrik menggunakan pipa penyalur dan fitting listrik yang sesuai. Pastikan pipa penyalur dan kabel cukup panjang untuk menyambungkan pelat belakang dan blok terminal. Pipa penyalur logam padat tidak sesuai untuk masukan samping.

PERINGATAN

Berhati-hatilah ketika membuka kemasan komponen. Mungkin ada pinggiran/sudut tajam yang dapat menusuk atau menyebabkan luka.

JANGAN GUNAKAN PERALATAN JETWASH APA PUN UNTUK MEMBERSIHKAN PERMUKAAN ATAU BAGIAN SEKITAR UNIT INI.

Di dalam kotak

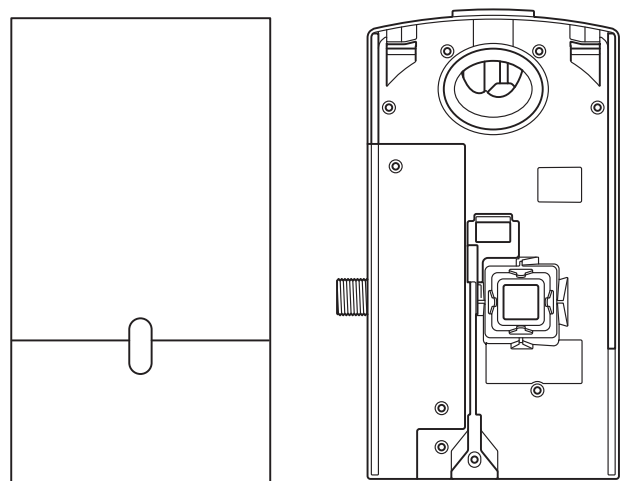


x2  

x1  

Alat yang diperlukan:

- Obeng Kembang Kecil
- Obeng minus 7mm
- Obeng minus 2,5mm
- Obeng Torx T15
- Pita pengukur dan pensil
- Bor tangan
- Mata bor yang sesuai
- Tang/pengupas kabel
- Pisau
- Spanner yang dapat disetel



Pemeriksaan sebelum pemasangan

Gbr. A

Perencanaan prapemasangan

Keran pembasuh dan pengering tangan Dyson Airblade Wash+Dry dirancang sedemikian rupa sehingga unit motor dipasang di dinding dan terletak di bawah baskom **Gbr A (i)**.

Pemasangan filter sebaris disarankan untuk mencegah adanya kerusakan apa pun yang dapat memengaruhi garansi.

- Berikan ruang akses yang cukup untuk pemasangan dan servis, **Gbr A(ii)**.
- Unit ini dirancang untuk digunakan hanya di tempat kering dan di dalam ruangan.
- Perhatikan persyaratan dan peraturan aksesibilitas nasional dan setempat untuk panduan pemasangan yang relevan. Kesesuaian dan kepatuhan adalah tanggung jawab pemasang. Pastikan unit dipasang sesuai dengan semua ketentuan dan/atau peraturan bangunan.
- Sekring untuk pemutusan semua terminal harus digabungkan pada rangkaian kabel tetap, sesuai dengan peraturan setempat.
- Isolasikan sumber daya listrik dan pasokan air sebelum melakukan pemasangan atau servis.
- Pastikan tidak ada pekerjaan pipa (gas, air, udara), atau kabel listrik, kawat atau pekerjaan saluran, yang terletak tepat di belakang area pengeboran/pemasangan.
- Dyson menyarankan penggunaan pakaian, kaca mata pengaman, dan bahan pelindung saat melakukan pemasangan/perbaikan bila perlu.

- Peralatan ini ditujukan untuk terhubung secara permanen ke saluran air.

Penggunaan di area penyiapan makanan

Untuk lingkungan persiapan makanan diperlukan pemasangan khusus, yang harus sepenuhnya menutupi kotak motor dan selang di wadah yang dapat dibersihkan atau memiliki kotak motor di sisi balik dinding, sediakan area terbuka yang memadai untuk membersihkan bagian bawah (jika memungkinkan), dan pastikan unit tersebut minimal 2,5 meter dari makanan yang terbuka atau permukaan terbuka yang tersentuh makanan.

Baca panduan rekomendasi Wastafel di www.dyson.com sebelum memasang.

Gbr. B

Panduan spesifikasi wastafel

Dengan menggunakan metode pengujian yang dirancang khusus, insinyur Dyson menguji berbagai wastafel untuk menilai kesesuaiannya dengan mesin pembasuh dan pengering tangan Dyson Airblade Wash+Dry. Untuk wastafel yang disarankan, silakan gunakan panduan kami di www.dyson.com

Wastafel porselen atau logam sikat ideal untuk digunakan. Wastafel dengan permukaan sangat mengkilap harus dihindari, misalnya krom yang memantulkan cahaya. Untuk dimensi wastafel minimum lihat **Gbr. B**.

Gbr. C/D/E

Pemasangan keran

Pastikan ada jarak minimal 100 mm dan maksimal 155 mm dari bagian atas wastafel ke bagian tengah keran. **Gbr. C**.

Pastikan ada jarak minimal 290 mm antara bagian tengah keran dan sisi dinding. Bila beberapa keran dipasang bersisian, bagian tengah keran harus terpisah dengan jarak minimal 580 mm. Ini memungkinkan ruang yang cukup untuk memasang bucket motor, serta ruang bahu yang cukup untuk pengguna. **Gbr. D**.

Jangan letakkan sensor air keran yang menghadap ke bawah di atas permukaan yang memantulkan cahaya, seperti lubang pembuangan. **Gbr. E**.

Gbr. F

Sabun dan menempatkan dispenser sabun

Untuk memberikan pengalaman yang terbaik bagi pengguna, Dyson menyarankan penggunaan sabun gel.

Zona sensor inframerah untuk pengaktifan udara terdapat di sepanjang masing-masing percabangan keran. Untuk mencegah pengaktifan yang tidak disengaja, penting untuk mempertimbangkan jalur gerakan tangan pengguna ke dispenser sabun.

Dispenser harus terletak pada jarak minimal 60 mm di luar lebar keran, sehingga pengguna dapat menjangkau sekitar sisi cabang.

Dispenser juga harus terletak pada jarak minimal 60mm di atas cabang, sehingga sensor tidak diaktifkan.

Harap perhatikan bahwa pengguna dapat menjangkau sabun secara diagonal, maka harus diatur supaya jalur ini tidak melewati zona sensor.

Gbr. G/H

Penyaluran air

Karena udara dan air berkecepatan tinggi berada pada jarak berdekatan, sejumlah air dan sabun mungkin terciprat keluar dari area wastafel. Untuk meminimalkan keadaan ini, kami menyarankan panduan berikut.

Profil Dasar

Profil dasar yang datar tidak menyalurkan air secara optimal sehingga air memercik balik. Untuk memperbaiki penyaluran air, hindari penggunaan wastafel dengan bagian dasar yang datar terutama pada area sekitar yang berdekatan dengan lubang pembuangan, radius minimal 60 mm. **Gbr. G**.

Sudut miring minimal 6° dari bagian tepi lubang pembuangan wastafel akan memberikan penyaluran air yang baik sehingga tingkat percikan balik berkurang (radius minimal 60mm). **Gbr. H**.

Gbr. I/J/K

Transisi dari dasar ke dinding belakang dan depan

Transisi dari dasar ke dinding belakang dan depan juga harus dipertimbangkan. Dinding belakang harus mendekati tegak lurus (90°), dan sebisa mungkin memiliki radius yang paling mendekati **Gbr. I**. Geometri lengkung kemungkinan besar meningkatkan percikan balik, dengan transisi dinding miring ke belakang dan ke depan harus dihindari **Gbr. J/K**.

Gbr. L

Lubang sumbat

Lubang sumbat dengan celah hampir terbuka seluruhnya disarankan, sedangkan lubang sumbat jenis kisi atau berpori harus dihindari karena membatasi aliran buangan air bersabun (busa). Jangan gunakan sumbat pada lubang sumbat di wastafel.

Gbr. M

Kontrol suhu air

Jika Anda menghubungkan masukan air panas dan dingin, Anda harus memasang katup pencampur. Jika hanya disambungkan dengan pemasok air yang dingin saja, Anda harus memasang pemanas.

Pasokan air untuk produk ini harus sesuai dengan perangkat pengontrol suhu yang sesuai dengan peraturan setempat.

- A= Katup pencampur
- B= Masukan air panas dan dingin
- C= Suhu air keluar yang diinginkan
- D= Katup isolasi
- E= Pemanas
- F= Masukan air dingin

Informasi Tambahan

Memasang

Jangan gunakan perapat ketika memasang unit ke dinding. Pastikan sumber daya listrik dan koneksi pasokan air campuran dan pembuangan tersedia untuk penyambungan. Isolasi daya dan pasokan air yang sesuai harus terpasang untuk menghentikan pasokan sebelum memasang dan untuk servis.

Memasang

Tegangan input/Frekuensi: lihat pelat rating daya.
Diisolasi oleh spur sekering sakelar atau RCD yang sesuai.
Arus 6,6 A.
Spesifikasi kabel: Dual core PVC + Single core PVC (bumi)
Peraturan listrik setempat harus dipatuhi saat memasang atau memperbaiki produk.
Daya maksimum: lihat pelat rating daya.
Kisaran suhu pengoperasian: 0° – 40°C.
Konsumsi daya siaga: kurang dari 0,5 W.
Ketinggian maksimum: 2.000 meter.

Pengoperasian air

Tetapan aliran air: Aerator dipasang normal 4 l/mnt. 1,9 l/m dengan aerator aliran rendah yang disertakan dengan produk.
Tekanan air yang diperlukan: 1-8 bar. Katup berisolasi 1/2" BSP diperlukan untuk servis.

Jaga pengembalian air panas sekunder sedekat mungkin dengan katup pencampur untuk mengurangi risiko pertumbuhan bakteri Legionella.

Penggelontoran Tugas otomatis

Unit dilengkapi dengan penggelontoran air otomatis, yang diaktifkan selama 60 detik 24 jam setelah penggunaan terakhir. Ini membantu mengurangi berhentinya air dan berkembangbiaknya bakteri di dalam produk.

Pastikan unit ini selalu dipasang pada bak fungsional dengan drainase yang bebas dan terhubung.

Kebersihan pasokan air dan pertumbuhan biologis

Di beberapa negara berlaku peraturan atau pedoman yang mensyaratkan sistem pasokan air dikontrol suhu (seperti yang dipasok oleh mesin pembasuh dan pengering tangan Dyson Airblade Wash+Dry) tergantung pada pembersihan yang dilakukan secara teratur untuk meminimalkan pertumbuhan biologis apa pun. Untuk memungkinkan Anda memenuhi peraturan ini, mesin pembasuh dan pengering tangan Dyson Airblade Wash+Dry telah dirancang dan diuji untuk tahan terhadap pembersihan internal dengan air panas hingga 95 °C dan dengan natrium hipoklorit pada konsentrasi 0,45%.

Lihat peraturan (pasar) tertentu dan rekomendasi sistem pasokan air untuk informasi tentang pembersihan area untuk kebersihan pasokan air dan pertumbuhan biologis untuk negara Anda.

Bila melakukan pembersihan internal pada mesin pembasuh dan pengering tangan Dyson Airblade Wash+Dry, harap sadari pertimbangan keselamatan bila menggunakan air panas atau bahan kimia. Dyson tidak akan bertanggung jawab terhadap cedera yang disebabkan oleh proses ini.

Pengujian pemakaian kasar

Pengering tangan Dyson Airblade Wash+Dry telah melalui pengujian terhadap pemakaian kasar untuk memastikan bahwa keran dapat tahan terhadap tekanan dan benturan yang umum di lingkungan komersial dan kamar kecil umum.

Langkah demi langkah

Gbr. 1

Posisi

Posisikan Keran di atas pusat baskom [Gbr 1](#).

Potong lubang berdiameter 35 mm di permukaan kerja bila diperlukan.

A= Segel karet 1 mm
B= Batang keran
C= Tabung air
D= Kabel sensor
E= Segel 3,5 mm
F= Waser logam
G= Mur pengunci kuningan
H= 2 x sekrup

Gbr. 2

Pemasangan Keran

Geser segel karet 1 mm ke atas batang keran [Gbr 2a](#).

Pasang batang keran dan tabung air serta kabel komunikasi yang disertakan melalui lubang di permukaan bidang kerja. Pastikan segel karet 1 mm dipasang di bawah keran secara merata dan datar.

Pastikan keran berada di posisi yang benar di atas wastafel.

Geser segel karet 3,5 mm ke atas batang keran.

Masukkan sekrup ke dalam ring pengunci kuningan dan kencangkan sedikit untuk menahannya di tempat.

Geser waser kuningan ke batang keran. Sekrupkan mur pengunci kuningan ke batang keran, buat celah kurang dari atau sebesar 5 mm di antara waser logam dan mur pengunci kuningan.

Kencangkan sekrup melalui mur pengunci kuningan ke waser logam, sampai sekuatnya tangan.

Gbr. 3

Pemasangan Selang

Geser selang abu-abu ke atas pipa air dan kabel sensor [Gbr 3a](#).

Masukkan tabung air melalui lubang keluar kiri di saluran selang seperti ditunjukkan pada [Gbr 3b](#).

Gunakan tang untuk menarik perlahan tabung air sejauh garis solid putih [Gbr 3c](#).

Pastikan gromet di tabung air terpasang dengan kencang pada saluran selang sehingga kedap udara [Gbr 3b](#).

Masukkan kabel sensor melalui lubang keluar kanan, dengan menarik perlahan saat Anda memasukkannya [Gbr 3b](#). JANGAN gunakan tang karena dapat merusak sambungan listrik [Gbr 3c](#). Pastikan gromet di kabel terpasang dengan kencang di saluran selang sehingga kedap udara [Gbr 3d](#). Gemuk silikon dapat digunakan untuk membantu pemasangan.

Sekrupkan kerah selang atas ke batang keran sehingga selang dapat dikencangkan dengan tangan [Gbr 3e](#).

A= Selang abu-abu
B= Tabung air
C= Kabel sensor

Gbr. 4

Menyiapkan pemasangan pelat belakang.

Lepaskan bucket motor dari pelat belakang dengan menekan kait pelepas merah di bagian bawah dan angkat ke atas seperti ditunjukkan pada [Gbr 4a](#). Letakkan bucket motor di tempat yang aman hingga dibutuhkan.

Lepaskan penutup pipa air dan penutup listrik dari pelat belakang menggunakan obeng Torx T15 [Gbr 4b dan 4c](#). Simpan dengan aman bersama dengan dudukan pemasangan hingga dibutuhkan.

Gbr. 5

Perencanaan pemasangan pelat belakang

Pelat belakang dapat diposisikan dengan salah satu dari tiga arah: vertikal, atau horizontal kiri atau kanan 90°. Jarak bebas dari lantai harus minimal 100 mm, lihat [Gbr 5a](#).

Pastikan bahwa pelat belakang diposisikan sedemikian rupa sehingga selang dapat dipasang dengan mudah.

JANGAN tempatkan motor dengan bagian atas menghadap ke bawah, dengan selang menunjuk ke bawah, atau posisikan di atas Keran, lihat [Gbr 5b](#).

Tandai posisi pelat belakang pada dinding.

Tempat masuk kabel

Tempat masuk kabel bisa dari dudukan atau dari dinding secara langsung ke bagian belakang unit melalui titik masuk kabel belakang. Tetapkan pilihan sebelum Anda memulai.

Jika memilih opsi tempat masuk kabel melalui dudukan, gunakan tang secara hati-hati untuk menjepit panel pemutus yang telah ditandai sebelumnya di dudukan pelat belakang. Haluskan bagian pinggiran lubang [Gbr 5c](#).

Tempat masuk air

Koneksi air dibuat di sisi kiri tangan pada pelat belakang. Koneksi air tidak dapat diputar dalam pelat belakang [Gbr 5d](#).

Gbr. 6

Pemasangan pelat belakang

Jika tempat masuk kabel diarahkan secara langsung ke pelat belakang dari dinding, tarik kabel listrik sebelum mengamankan pelat belakang ke dinding.

Kencangkan pelat belakang ke dinding menggunakan dudukan pemasangan yang sesuai [Gbr 6](#).

Jangan gunakan sekrup kepala benam.

Gbr. 7

Menyambungkan kabel sensor

Jepitkan selang abu-abu ke pelat belakang.

Pasang kabel sensor di selang ke dalam konektor di pelat belakang seperti ditunjukkan pada [Gbr 7](#). Periksa orientasi konektor; kedua tab harus sejajar. Pastikan kabel diarahkan dengan benar di pelat belakang.

Gbr. 8

Menyambungkan pipa air

Potong tabung air sesuai ukuran pada garis titik-titik putih seperti ditunjukkan di [Gbr 8a](#).

Geser klip selang (disertakan) ke tabung air [Gbr 8b](#).

Lepaskan sekrup Phillips 2 x dan buka jepit solenoid dari pelat belakang [Gbr 8b](#).

Pasang selang air ke solenoid [Gbr 8c](#).

Jepit kembali solenoid ke pelat belakang dan kencangkan sekrup 2 x [Gbr 8d](#).

Kencangkan jepit selang dan pastikan kabel solenoid diposisikan dengan benar di saluran penahan.

Gbr. 9

Menghubungkan pasokan listrik

Arahkan suplai listrik ke pelat belakang menggunakan conduit padat dan fitting fleksibel yang disetujui. Pastikan kabel daya cukup panjang untuk dihubungkan ke blok terminal yang dipasang pada pelat belakang. Arahkan kabel ke pelat belakang dan kencangkan gland kabel.

Kupas kabel pada panjang yang memadai dan amankan kabel positif dan kabel netral ke dalam blok terminal yang sesuai sebagaimana ditunjukkan [Gbr. 9](#). Pastikan penempatan kabel dengan benar sebelum melanjutkan.

Gbr. 10

Merakit ulang penutup listrik

Pasang penutup listrik dan kencangkan dengan 6 x penutup yang disertakan untuk memastikan tidak ada kabel yang terperangkap.

Gbr. 11

Menghubungkan pasokan air campuran

CATATAN: Pastikan seluruh serpihan, kikiran tembaga, dsb. telah digelontor dari pipa air sebelum menyambungkan pipa dengan pelat belakang. Jika itu tidak dilakukan, katup solenoid bisa rusak.

Hubungkan pasokan air campuran yang diisolasi ke pelat belakang.

Hidupkan air.

Periksa apakah terdapat kebocoran di saluran pasokan air utama dan koneksi pipa air ke keran.

Periksa juga kebocoran pada sambungan solenoid.

Gbr. 12

Menghidupkan daya

Hidupkan daya ke mesin.

SIKLUS KALIBRASI: Setelah terpasang, keran akan melalui siklus kalibrasi 30 detik.

Letakkan tangan di bawah sensor pada keran untuk mengaktifkan aliran air [Gbr. 12a](#).

Periksa kalau ada kebocoran, sebagaimana [Gbr 11](#).

Kencangkan penutup pipa air pada pelat belakang menggunakan 2 posisi yang disediakan [Gbr. 12b](#).

Gbr. 13

Merakit bucket motor

Kaitkan motor ke bagian atas penutup listrik. Goyangkan ke bawah sehingga terkunci di tempatnya seperti ditunjukkan [Gbr. 13a](#). Dorong dengan perlahan untuk mengencangkan.

OPSIONAL: Sekrup disertakan untuk mengencangkan tombol pelepas merah dan mencegah terlepasnya kotak motor tanpa sengaja.

Lakukan uji pengoperasian unit.

Mengencangkan bucket motor ke pelat belakang (opsional).

Untuk melepaskan filter, dengan perlahan gunakan obeng untuk melepaskan tab pada filter seperti ditunjukkan [Gbr 13b](#).

Kencangkan bucket motor ke pelat belakang menggunakan sekrup pengaman yang disediakan [Gbr 13c](#).

Sambungkan kembali filter dengan memastikannya terkunci di tempatnya dengan benar [Gbr 13d](#).

Pemasangan pengujian

Jika ada masalah

Lakukan pengujian untuk memastikan pengering tangan beroperasi dengan normal:

- Tempatkan tangan Anda di bawah bagian tengah keran dan air akan mengalir otomatis selama tangan Anda tetap di situ.
- Letakkan tangan Anda pada salah satu sisi bagian tengah keran untuk mengaktifkan pengering tangan, menciptakan aliran udara yang akan mengikis air dari tangan Anda.
- Gerakkan tangan Anda maju dan mundur perlahan melewati aliran udara ini. Balikkan tangan Anda sehingga bagian telapak tangan dan punggung tangan terpapar aliran udara.

Pengering tangan tidak dapat beroperasi:

- Periksa apakah sekering/pemutus arus berfungsi dan sumber daya listrik dan pasokan air tersambung.
- Pastikan tutup pembersih dilepaskan dan sensor dalam keadaan bersih dan tidak terhalang.
- Hidupkan dan matikan unit.

Pengering tangan hidup dan mati secara tiba-tiba.

- Hidupkan dan matikan unit.
- Pastikan tidak ada penyumbat dalam wastafel dan lepaskan jika ada.
- Pastikan sensor dalam keadaan bersih.
- Pastikan kabel sensor dari keran terhubung dengan baik.

Pengering tangan mati tiba-tiba saat digunakan:

- Hidupkan dan matikan unit.
- Pastikan sensor dalam keadaan bersih.
- Pastikan saluran udara dalam keadaan bersih dan tidak berdebu. Jika saluran udara berdebu, cukup bersihkan debu yang menempel.
- Pastikan saluran masuk udara tidak terhalang dan memiliki jarak yang cukup.

Waktu pengeringan meningkat:

- Periksa apakah saluran masuk udara berdebu dan bersihkan.
- Periksa filter dan ganti jika diperlukan.
- Pastikan selang terpasang dengan kencang pada dudukan keran dan tidak ada kebocoran.

Aliran udara berhembus lebih panas dari biasanya:

- Periksa apakah saluran masuk udara berdebu dan bersihkan.
- Periksa filter dan ganti jika diperlukan.
- Pastikan selang terpasang dengan kencang pada dudukan keran dan tidak ada kebocoran.

Udara berhembus terus-menerus:

- Periksa apakah terdapat objek dalam wastafel dan keluarkan bila perlu.
- Pastikan sensor dalam keadaan bersih dan tidak terhalang.
- Periksa filter dan ganti jika diperlukan.
- Pastikan selang terpasang dengan kencang pada dudukan keran dan tidak ada kebocoran.

Tidak ada udara yang berhembus:

- Hidupkan dan matikan unit.
- Periksa apakah sekering/pemutus arus berfungsi dan sumber daya listrik tersambung.
- Pastikan sensor dalam keadaan bersih.
- Pastikan selang udara terpasang dengan kencang pada dudukan keran dan tidak ada kebocoran.
- Pastikan kabel sensor dari keran terhubung dengan baik.

Air terus mengalir dari keran:

- Pastikan sensor dalam keadaan bersih dan tidak terhalang.

Tidak ada air yang keluar dari keran:

- Pastikan catu daya dan pasokan air dihidupkan dan katup isolasi dibuka.
- Pastikan aerator bebas dari serpihan, hilangkan dan bersihkan atau ganti jika diperlukan.

Air yang mengalir dari keran sangat panas atau sangat dingin:

- Periksa katup pencampur sudah disetel ke suhu yang diinginkan.
- Hubungi Layanan Pelanggan Dyson untuk dukungan dan informasi lebih lanjut atau online di www.dyson.com

איתור תקלות

בדיקת ההתקנה

בדוק את הפעילות הרגילה של מייבש הידיים:
– הנח את הידיים מתחת למרכז הברזומים יזרמו אוטומטית כל זמן שהידיים ישארו במקומן.
– הנח ידך בכל אחד מצדי הברז המרכזי כדי להפעיל את מייבש הידיים באמצעות יצירת משטחי אוויר שיסירו מים מהידיים.
– הזז את הידיים לאט קדימה ואחורה דרך האוויר. סובב את הידיים כך שגם גב היד וגם כף היד ייחשפו לזרם האוויר.

מייבש הידיים אינו פועל:

– בדוק את פעולתו של הנתיך/המפסק האוטומטי ואת החיבורים לחשמל ולמים.
– ודא שהסרת את כיסוי הניקוי ושהחיישנים נקיים ואינם חסומים.
– כבה את היחידה ואחר כך הדלק אותה.

מייבש הידיים נדלק ונכבה באופן לא סדיר:

– כבה את היחידה ואחר כך הדלק אותה.
– ודא שאין פקק בכיור והוצא את הפקק, אם קיים.
– בדוק שהחיישנים נקיים.
– בדוק שכבל החיישנים מהברז מחובר כראוי.

מייבש הידיים מפסיק לעיתים את פעולתו בזמן השימוש:

– כבה את היחידה ואחר כך הדלק אותה.
– בדוק שהחיישנים נקיים.
– יש לבדוק שכונסי האוויר נקיים ונקיים מאבק. אם כונסי האוויר מאובקים, נקה את האבק.
– ודא שכונסי האוויר אינם חסומים ושיש להם מרווח מספיק.

זמן הייבוש גדל:

– יש לבדוק הימצאות אבק בכונסי האוויר ולהסיר אותו.
– בדוק את המסנן והחלף במידת הצורך.
– ודא שהצינור מחובר כראוי לבסיס הברז ואין מזילות.

זרימת האוויר הופכת לחמה יותר מהרגיל:

– יש לבדוק הימצאות אבק בכונסי האוויר ולהסיר אותו.
– בדוק את המסנן והחלף במידת הצורך.
– ודא שהצינור מחובר כראוי לבסיס הברז ואין מזילות.

האוויר יוצא ללא הפסקה:

– בדוק אם קיימים עצמים בכיור והסר אותם במידת הצורך.
– ודא שהחיישנים נקיים ואינם חסומים.
– בדוק את המסנן והחלף במידת הצורך.
– ודא שהצינור מחובר כראוי לבסיס הברז ואין מזילות.

לא יוצא אוויר:

– כבה את היחידה ואחר כך הדלק אותה.
– בדוק את פעולתו של הנתיך/המפסק האוטומטי ואת החיבור לחשמל.
– בדוק שהחיישנים נקיים.
– ודא שצינור האוויר מחובר כראוי לבסיס הברז ואין מזילות.
– בדוק שכבל החיישנים מהברז מחובר כראוי.

מים זורמים מהברז ללא הרף:

– ודא שהחיישנים נקיים ואינם חסומים.

אין זרימת מים מהברז:

– ודא שאספקות המים והחשמל מחוברות ושסתום הבידוד פתוח.
– ודא שהמאוורר נקי מלכלוך, הסר ונקה/החלף אותו במידת הצורך.

המים שמגיעים מהברז חמים מדי או קרים מדי:

– ודא ששסתום הערבוב הוגדר לטמפרטורה הרצויה. צור קשר עם שירות הלקוחות של Dyson לקבלת תמיכה ומידע נוספים או באינטרנט, בכתובת www.dyson.com.

איור 9

חיבור אספקת החשמל

נתב את כבל החשמל ללוח הגב באמצעות תעלות גמישות או קשיחות מאושרות ואמצעי קיבוע. ודא שכבל החשמל ארוך דיו כדי לחבר למחבר המעבר התלוי בלוח האחורי.

נתב את הכבל אל תוך הלוח האחורי והדק את מחזיק הכבל.

חשוף את הכבל באורך מתאים ואבטח את חוט הפאזה (ח') ואת חוט האפס אל נקודות החיבור המתאימות כמוצג באיור 9. ודא חיבור נכון של הכבלים לפני שתמשיך בעבודה.

איור 12

הפעלת אספקת החשמל

הפעל את אספקת החשמל למכשיר.

מחזור כיוול: לאחר ההתקנה, הברז יעבור מחזור כיוול בן 30 שניות.

הנח יד מתחת לחיישן שעל הברז כדי להפעיל את זרימת המים. באיור 12a.

אתר נזילות בהתאם להנחיות באיור 11.

קבע את כיסוי צינור המים על-גבי לוח הגב באמצעות שני אמצעי הקיבוע שסופקו. באיור 12b.

איור 10

חיבור מחדש של כיסוי החלק החשמלי

קבע את כיסוי החלקים החשמליים וחזק באמצעות 6 אמצעי הקיבוע שסופקו, תוך הקפדה על כך שאין כבלים לכודים.

איור 11

חיבור אספקת המים החמים והקרים

ודא שאספקת המים נקייה לחלוטין מפסולת, שבבי נחושת וכו' לפני החיבור ללוח הגב. אם לא תעשה זאת, עלול להיגרם נזק לשסתום הברז החשמלי, וכתוצאה מכך ייתכן שהוא לא ייסגר כראוי ויגרום לנזילה מהברז.

חבר את אספקת המים הקרים והחמים המבודדת ללוח הגב.

פתח את ברז המים.

בדוק שאין נזילות מפתח כניסת המים העיקרי ומחיבור צינור המים לברז.

בנוסף, בדוק שאין נזילות בחיבור הברז החשמלי.

איור 13

חיבור תושבת המנוע

חבר את המנוע אל חלקו העליון של כיסוי החלק החשמלי. סובב אותו כלפי מטה כדי שייכנס למקומו בצליל נקישה, כפי שמודגם. דחוף פנימה כדי לאבטח אותו במקומו. באיור 13a.

אופציונלי: נכלל בורג לחיזוק לחצן השחרור האדום ולמניעת הסרה לא רצויה של תושבת המנוע.

בדוק את פעילותו התקינה של המכשיר.

קיבוע תושבת המנוע ללוח הגב (אופציונלי).
להסרת המסנן, השתמש בעדינות במברג כדי לשחרר את הלשונית שעל המסנן כפי שמוצג איור b31.

חבר מחדש את המסנן וודא שהוא ננעל במקומו בנקישה איור c31.

חבר מחדש את המסנן וודא שהוא ננעל במקומו בנקישה. איור d31.

שלב-אחרי-שלב

איור 1

מיקום

מקם את הברז מעל מרכז הכיור **איור 1**.

צור חור בקוטר של 35 מ"מ במשטח העבודה, במידת הצורך.

איור 2

התקנת הברז

החלק את אטם הגומי בעובי מ"מ על גבי זרוע הברז. **איור 2**.

העבר את זרוע הברז, את צינור המים המחובר ואת כבל התקשורת דרך החור שבמשטח העבודה. ודא כי אטם הגומי בעובי מ"מ ממוקם מתחת לברז בצורה מישרת ושטוחה.

ודא כי הברז נמצא במיקום הנכון מעל לכיור. החלק את אטם הגומי בעובי 3.5 מ"מ על גבי זרוע הברז.

הכנס את הברגים לתוך טבעת הנעילה העשויה פליז והדק מעט כדי שלא יזוזו ממקומם.

השחל את דסקית המתכת על זרוע הברז.

הברג את אום הנעילה העשוי פליז על-גבי זרוע הברז, והשאר רווח שאינו עולה על 5 מ"מ בין דסקית המתכת לבין אום הנעילה.

הדק היטב את הברגים אל דסקית המתכת בעזרת אום נעילה מפליז.

- A = אטם גומי בעובי מ"מ
- B = זרוע ברז
- C = צינור מים
- D = כבל חיישן
- E = אטם בעובי 3.5 מ"מ
- F = דסקית מתכת
- G = אום נעילה עשוי פליז
- H = ברגים 2

איור 3

התקנת הצינור

החלק את הצינור האפור מעל צינור המים וכבל החיישן. **איור 3**.

העבר את צינור המים דרך חור היציאה השמאלי בתעלת הצינור, כפי שמוצג **באיור 3**.

השתמש בצבת כדי למשוך בעדינות צינור המים עד לקו הלבן הרצוף. **איור 3c**.

ודא שהחבק שעל צינור המים מתאים במדויק לתעלת הצינור ואטום לאוויר **איור 3**.

העבר את כבל החיישן דרך חור היציאה הימני, ומשוך בעדינות כשאתה מכניס אותו **איור 3** דרכו. אל תשתמש בצבת כדי לא להסתכן בגרימת נזק לחיבורי החשמל. **איור 3**. ודא שהחבק שעל הכבל מתאים במדויק לתעלת הצינור ושהוא אטום לאוויר. **איור 3**. ניתן להשתמש בשומן סיליקון כדי לסייע בהתקנה.

הברג את צוואר הצינור העליון על זרוע הברז והדק אותו. **איור 3**.

- A = צינור אפור
- B = צינור מים
- C = כבל חיישן

איור 4

הכנה להתקנת לוח הגב

הסר את תושבת המנוע מלוח הגב על-ידי לחיצה על תפס השחרור בחלק התחתון והרמה, כפי שמוצג **באיור 4**. אחסן את תושבת המנוע במקום בטוח, עד לשימוש בה.

הסר את כיסוי צינור המים ואת כיסוי החלקים החשמליים מלוח הגב באמצעות מברג בעל מומנט פיתול T15. **איורים 4** ו-**4c**. אחסן אותם בבטחה ביחד עם אמצעי הקיבוע, עד לשימוש בהם.

איור 5

התקנת יחידת הגב

ניתן למקם את לוח הגב בשלוש צורות: אנכית או אופקית ב-90° לשמאל או לימין. יש להקפיד על מרווח מינימלי של 100 מ"מ מהרצפה. ראה **איור 5**.

ודא שלוח הגב ממוקם כך שניתן לחבר את הצינור בקלות.

אין להציב את המנוע הפוך כשהצינור מצביע כלפי מטה, או למקם מעל הברז. ראה **איור 5**.

סמן את מיקומו של לוח הגב על הקיר.

כניסת כבל

כניסת הכבל יכולה להיות מהבסיס או מהקיר ישירות אל אחורי המכשיר באמצעות נקודת הכניסה האחורית של הכבל. בחר נקודת כניסה בטרם תתחיל.

ואם נבחרה אפשרות הכנסת הכבל דרך הבסיס, השתמש בצבת כדי ללחוץ ולהסיר בזehירות את הלוחית הניתקת המסומנת-מראש שבבסיס לוח הגב. שייך והחלק את השוליים של אזור הלוחית הניתקת **איור 5**.

כניסת מים

חיבור המים מתבצע בצדו השמאלי של לוח הגב. לא ניתן לסובב את חיבור המים בתוך לוח הגב. **איור 5**.

איור 6

התקנת לוח הגב

אם כניסת הכבל אמורה להיות ישירות מהקיר אל לוח הגב, לפני הברגת לוח הגב אל הקיר העבר דרכו את כבל החשמל.

הברג את לוח הגב לקיר באמצעות אמצעי הקיבוע המתאימים. **איור 6**.

אל תשתמש בברגים עם ראש שטוח.

איור 7

חיבור כבל החיישן

הדק את הצינור האפור אל לוח הגב.

חבר את כבל החיישן שבצינור לתוך המחבר בלוח הגב, כפי שמוצג **באיור 7**. בדוק את הכיוון של החיבור; שתי הלשוניות צריכות להיות מישורות. ודא שהכבל עובר כראוי בלוח הגב.

איור 8

חיבור צינור המים

חתוך את צינור המים בגובה הקו הלבן המנוקד, כפי שמוצג **באיור 8**.

החלק את תופסן הצינור (כלול) על צינור המים. **איור 8**.

הסר את 2 ברגי הפיליפס והסר את הסולנואיד מלוח הגב. **איור 8**.

חבר את צינור המים לסולנואיד. **איור 8**.

חבר את הסולנואיד בחזרה ללוח הגב והדק את 2 הברגים. **איור 8**.

הדק את תפס הצינור וודא שכבל הסולנואיד ממוקם כראוי בתעלה.

מידע נוסף

התקנה

אל תשתמש בחומר איטום בעת קיבוע המכשיר לקיר. דא כי אספקת החשמל והמים החמים והקרים וכן חיבורי הניקוז זמינים לחיבור. יש להקפיד על בידוד מתאים של אספקת החשמל ואספקת המים לצורך הפסקת האספקה לפני ההתקנה ובמהלך תחזוקה.

מתח

הספק מתח/תדר: עיין בלוחית הדירוג.
מבודד על-ידי שלוחת נתיך מתג או RCD בהתאם לצורך.
זרם 6.6 A.
מפרט הכבל: PVC בעל שתי ליבות + PVC בעל ליבה אחת (הארקה)
יש לציית לתקנות החשמל המקומיות בעת התקנה או תיקון של המוצר.
מפרט חשמל: עיין בלוחית הדירוג.
טווח טמפרטורת הפעלה: 0°C – 40°C.
צריכת חשמל במצב המתנה:
פחות מ-0.5 W.
גובה מרבי: 2,000 מ'.

הפעלת המים

קצב זרימת המים: מאוורר קבוע רגיל בקצב של 4 ל"/דקה. 1.9 ל"/דקה עם מאוורר בקצב נמוך שסופק עם המוצר.
לחץ המים הנדרש: 1-8 בר. דרוש שסתום BSP מבודד של 1/2 אינץ' עבור השירות.
הקפד שמערכת החזרת המים החמים המשנית תהיה ממוקמת כמה שיותר קרוב לשסתום הערבוב, כדי להפחית את הסיכון לצמיחת חיידקי ליגיונלה.

הדחה אוטומטית

היחידה מצוידת בהדחת מים אוטומטית קבועה, הפועלת למשך 06 שניות, 42 שעות לאחר השימוש האחרון בה. פעולה זו מסייעת בצמצום המים העומדים ומונעת שגשוג של חיידקים בתוך המוצר.

הקפד להתקין את היחידה תמיד מעל לכיור תקין עם חיבור לניקוז חופשי.

הניקיון של מערכת אספקת המים וצמיחה ביולוגית

במדינות מסוימות קיימים תקנות או קווים מנחים שדורשים שמערכות אספקת מים בעלות טמפרטורה מבוקרת (כגון המערכת המסופקת עם מייבש הידיים Dyson Airblade Wash+Dry) יעברו ניקיון באופן קבוע כדי לצמצם כל צמיחה ביולוגית. כדי לאפשר עמידה בתקנות אלה, מייבש הידיים Dyson Airblade Wash+Dry תוכנן ונבדק כדי לעמוד בניקיון פנימי במים חמים בטמפרטורה של עד 95°C ובהיפוכלורית הנתרן בריכוז של 0.45%.

עיין בתקנות הספציפיות (לשוק) ובהמלצות למערכת אספקת המים לקבלת מידע לגבי משטר הניקוי עבור ניקיון אספקת מים וצמיחה ביולוגית במדינה שלך.

בעת ביצוע ניקיון פנימי של מייבש הידיים Dyson Airblade Wash+Dry, עליך לקחת בחשבון את כל שיקולי הבטיחות הנוגעים לשימוש במים חמים או חומרים כימיים. Dyson לא תהיה אחראית לכל פגיעה שתגרום כתוצאה מתהליך זה.

בדיקות לעמידות בשימוש בכוח

מייבש הידיים Dyson Airblade Wash+Dry עבר בדיקות קפדניות של שימוש בכוח כדי לוודא שהוא מסוגל לעמוד בהפעלת כוח ניכרת ובהשפעות האופייניות לשימוש בסביבות חדרי רחצה מסחריים וציבוריים.

בדיקות לפני התקנה

איור A

תכנון לפני ההתקנה

מייבש הידיים Dyson Airblade Wash+Dry תוכנן כך שיחידת המנוע תלויה על הקיר וממוקמת מתחת לכיור. איור A(i).

מומלץ להתקין את המסנן הבלתי נפרד כדי למנוע נזק שעלול להשפיע על האחריות שלך.

– השאר גישה מספקת לצורך התקנה ותחזוקה, ראה איור A(ii).

– היחידה מיועדת להתקנה רק במקום יבש, בתוך מבנה.

– יש לברר מהן הנחיות ההתקנה הרלוונטיות על פי התקן. חובת הציוד והעמידה בדרישות מוטלת על המתקין. יש לוודא שהתקנת היחידה נעשית בהתאם לכל החוקים והתקנות בתחום הבנייה.

– חובה לשלב בחיזוט הקבוע אמצעי לניטוק כל הפזות, בהתאם לתקנות החיזוט המקומיות.

– יש לנתק את חיבור המתח ואת אספקת המים לפני התקנה או תחזוקה.

– יש לוודא שאין צינורות (גז, מים, אוויר), כבלי חשמל, חוטים או תעלות אוורור מאחורי אזור הקדיחה/ התקנה.

– חברת Dyson ממליצה להשתמש בבגדי מגן, במשקפי מגן ובחומרי מגן בעת ההתקנה/התיקון, בהתאם לצורך.

– מכשיר זה נועד להיות מחובר באופן קבוע לאספקת המים הראשית.

שימוש באזורים המיועדים להכנת מזון

בסביבות המיועדות להכנת מזון נדרשת התקנה מיוחדת, שבה יש לכסות את תושבת המנוע והצינור בשלמותם בתוך מארז שניתן לניקוי או למקם את תושבת המנוע בצד השני של הקיר, לספק מקום מספיק לניקוי מתחתיה (אם רלוונטי) ולוודא שהיחידה נמצאת במרחק של 5.2 מ' לפחות ממזון לא מכוסה או ממשתחים לא מכוסים שבאים במגע עם מזון.

לפני ההתקנה, עיין במדריך ההמלצות לכיור בכתובת www.dyson.com.

איור B

קווים מנחים למפרט הכיור

באמצעות שיטת בדיקה שתוכננה במיוחד, המהנדסים של Dyson בדקו מגוון רחב של כיורים כדי להעריך את תאימותם למייבש הידיים Dyson Airblade Wash+Dry. לקבלת מידע על כיורים מומלצים, השתמש במדריך שלנו הנמצא בכתובת www.dyson.com.

כיורי פורצלן או נירוסטה הם אידיאליים לשם כך. יש להימנע משימוש מכיורים בעלי משטחים חלקים במיוחד, לדוגמה, כרום המחזיר השתקפות. למידע בדבר מידות מינימליות של כיורים, ראו איור B.

איור C/D/E

תליית הכיור

יש לשמור על מרחק מינימלי של 100 מ"מ ומרחק מרבי של 155 מ"מ מהחלק העליון של הכיור ועד מרכז הברז. איור C.

יש לשמור על מרחק מינימלי של 290 מ"מ בין מרכז הברז לקיר הצידי. בעת התקנת מספר ברים זה לצד זה, מרכזי הברים צריכים להיות במרחק של 580 מ"מ לפחות זה מזה. זה מאפשר מספיק מקום לתליית תושבת המנוע, וכן מספיק מרחב למשתמשים. איור D.

אין למקם את חיישן המים הפונה כלפי מטה מעל משטח המחזיר השתקפות, כגון פתח ניקוז איור E.

איור F

סבון ומיקום מיכל הסבון

לקבלת חוויית המשתמש הטובה ביותר, Dyson ממליצה להשתמש בסבון ג'ל. אזור חיישני האינפרא-אדום עבור הפעלת אוויר עובר לאורך כל הזרוע של הכיור כדי למנוע הפעלה בטעות, חשוב לקחת בחשבון את ניתוב ידו של המשתמש אל מיכל הסבון.

המיכל צריך להיות ממוקם במרחק של 60 מ"מ לפחות מחוץ לרוחב הברז, כך שהמשתמש יגיע אליו מצדה של הזרוע.

עליו להיות ממוקם גם במרחק של 60 מ"מ לפחות מעל הזרועות, כך שהחיישנים לא יופעלו.

שים לב שהמשתמש עשוי להגיע לסבון באלכסון, ולכן צריך להקפיד על כך ששנתיב זה לא יעבור דרך אזור החישה.

איור G/H

ניקוז המים

בשל הסמיכות של אוויר במהירות גבוהה ומים, קיים סיכוי של פיזור סבון מחוץ לגבולות הכיור. כדי למתן תופעה זאת, מומלץ לציית להנחיות הבאות.

פרופיל בסיס

פרופיל בסיס שטוח יגרום לניקוז גרוע, שיוביל לרמה גבוהה של התזות. כדי לשפר את הניקוז, יש להימנע משימוש בכיורים עם בסיס שטוח, ובפרט האזור שסובב את חור הניקוז, בעל קוטר של 60 מ"מ לפחות. איור G.

זווית שיפוע של 6° לפחות מקצה חור הניקוז של הכיור תגרום לניקוז טוב ולכמות מופחתת של התזות (קוטר של 60 מ"מ לפחות). איור H.

איור A/J/K/L

המעבר מהבסיס לדופן האחורית ולדופן הקדמית

יש לקחת בחשבון גם את המעבר מהבסיס לדופן האחורית ולדופן הקדמית. הדופן האחורית צריכה להיות בזווית קרובה ככל שניתן ל-90°, ובקוטר חד ככל שניתן איור I. צורה מעוגלת עשויה לגרום להתזות רבות יותר איור J, בעוד שיש להימנע ממעברים משופעים לדופן האחורית והקדמית איור K.

איור L

חור שסתום

מומלץ להשתמש בחורי השסתום בעלי הפתח הגדול ביותר, בעוד שיש להימנע משימוש בחורי שסתום בעלי סורגים או חורי שסתום מחוררים משום שהם מגבילים את הניקוז של מים עם סבון (קצף סבון). אין להשתמש במכסים בתוך חורי השסתום בכיורים.

איור M

שליטה בטמפרטורת המים

אם אתה מחבר לאספקת מים חמים וקרים, יש להתקין שסתום ערבוב. אם מחברים לאספקת מים קרים בלבד, יש להתקין מחמם.

יש לחבר את אספקת המים למוצר להתקן בטמפרטורות, בהתאם לתקנות המקומיות.

A = שסתום מערבב

B = אספקת מים חמים וקרים

C = הטמפרטורה הרצויה בחוץ

D = שסתום בידוד

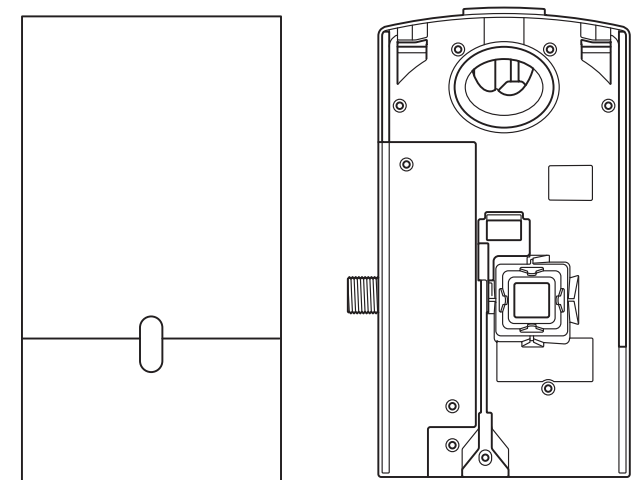
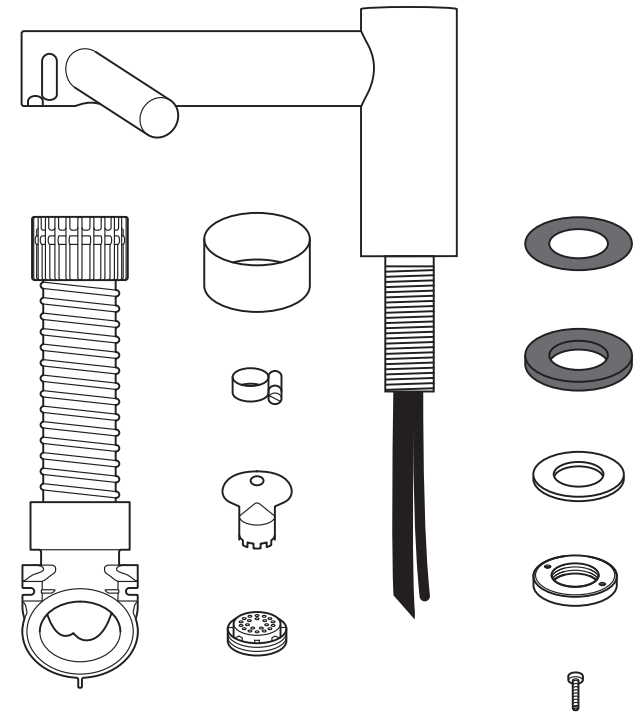
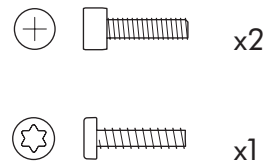
E = מחמם

F = אספקת מים קרים בפנים

תכולת האריזה

כלים נדרשים:

- מברג פיליפס קטן
- מברג בעל להב של 7 מ"מ
- מברג מחורץ בגודל 2.5 מ"מ
- מברג טורקס T15
- סרט מידה ועיפרון
- מקדחה
- מקדח מתאים למקדחה
- צבת
- סכין
- מפתח ברגים ניתן להתאמה



הוראות בטיחות חשובות

קרא ושמור הוראות אלה

לפני התקנת היחידה או שימוש בה, יש לקרוא את כל ההוראות וסימוני האזהרה שבמדריך התקנה זה.

אזהרה

כל עבודות ההתקנה והתיקונים (צנרת וחשמל) צריכות להתבצע על ידי חשמלאי מוסמך או על ידי טכנאי שירות של חברת Dyson ובהתאם לקודים ולתקנות המקומיים העדכניים.

אזהרה

סכנת התחשמלות!

אם המארז הוסר או טופל בצורה לא נאותה, הרכיבים הפנימיים של היחידה עלולים לגרום לנזק או שעשוי להיגרם להם נזק לצמיתות.

היחידה חייבת להיות מחוברת לחשמל באופן תקין כדי להפחית את הסיכון לשריפה, להתחשמלות ולפגיעה עבור המשתמשים.

לפני שמתחילים בעבודת התקנה כלשהי, חובה לוודא את הדברים הבאים:

- יש לבדוק תואמת את הנתונים החשמל הרשומים על-גבי לוחית המכשיר.
- חבר את היחידה לחשמל באמצעות חיווט וצנרת מתאימים. ודא שהצנרת והחוטים ארוכים דיים כדי להתחבר אל לוח הגב ואל מחבר הטרימינל. צנרת מתכתית קשיחה אינה מתאימה לכניסה מהצד. אזהרה.

אזהרה

הוצא בזהירות את החלקים מהאריזה.

ייתכנו קצוות חדים/פינות שעלולים לגרום לחתכים או נזק.

אין להשתמש בציוד לשטיפה בלחץ לצורך ניקוי המיקום שבו נמצאת היחידה או סביבותיה.

⚠ 146

הוראות בטיחות חשובות

145

תכולת האריזה

144

בדיקות לפני התקנה

התקנה

142

שלב אחרי שלב

140

בדיקת התקנה

140

פתרון בעיות

IS

Innihald

Mikilvægar öryggisleiðbeiningar	149	⚠
Innihald kassans	150	
Skoðun fyrir uppsetningu	151	
Uppsetning		
Skref fyrir skref	153	
Prófun á uppsetningu	155	
Úrræðaleit	155	

MIKILVÆGAR ÖRYGGISLEIÐBEININGAR

LESIÐ OG GEYMIÐ ÞESSAR LEIÐBEININGAR

LESIÐ ALLAR LEIÐBEININGAR OG VARÚÐARMERKINGAR Í ÞESSUM
UPPSETNINGARLEIÐBEININGUM OG Í EIGANDAHANDBÓKINNI
ÁÐUR EN TÆKIÐ ER SETT UPP OG NOTAÐ.

VIÐVÖRUN

VIÐURKENNDIR FAGAÐILAR EÐA VIÐGERÐARFAGMENN FRÁ
DYSON ÆTTU AÐ FRAMKVÆMA ALLA VINNU VIÐ UPPSETNINGU
OG VIÐGERÐIR (PÍPU- OG RAFLAGNIR) Í SAMRÆMI VIÐ
VIÐEIGANDI REGLUR OG REGLUGERÐIR.

VIÐVÖRUN

HÆTTA Á RAFLOSTI!

EF HLÍFIN ER FJARLÆGÐ EÐA MEÐHÖNDLUÐ Á RANGAN
HÁTT GETA HLUTIR INNAN Í TÆKINU VALDIÐ SKAÐA EÐA
SKEMMST VARANLEGA.

JARÐTENGJA VERÐUR EININGUNA TIL AÐ DRAGA ÚR ELDHÆTTU,
HÆTTU Á RAFLOSTI EÐA MEIÐSLUM Á FÓLKI.

Áður en vinna við uppsetningu hefst verður að staðfesta eftirfarandi.

- Gangið úr skugga um að rafmagn sem tengja á við sé það sama og sýnt er á merkiplötunni.
- Jarðtengja verður eininguna til að draga úr eldhættu, hættu á raflosti eða meiðslum á fólki.

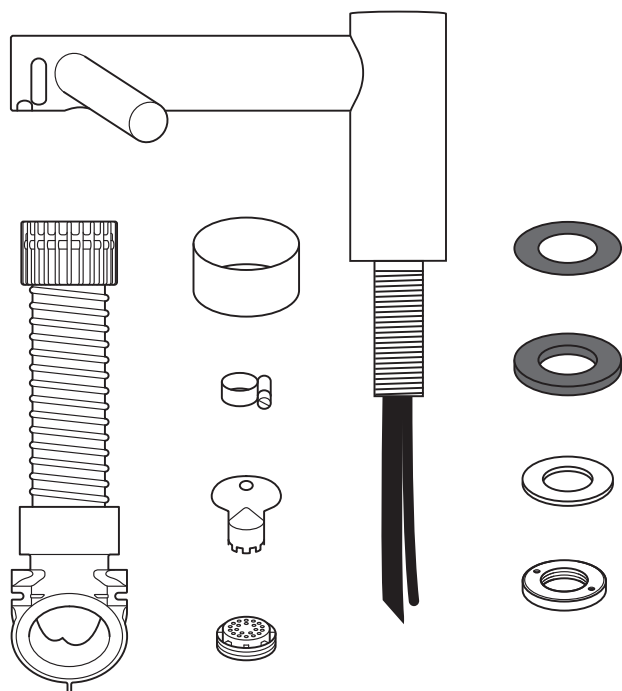
- Notið viðeigandi stokka og rafmagnstengingar til að tengja tækið við rafmagn. Tryggið að stökkarnir og vírarnir séu nægilega langir til að hægt sé að tengja þá við bakplötuna og tengjablokkina. Stokkur úr gegnheilum málmum hentar ekki fyrir hliðartengingu.

VIÐVÖRUN

Sýnið aðgát þegar íhlutirnir eru teknir úr umbúðunum. Hvassar brúnir eða horn geta valdið skurðum eða öðrum skaða.

**NOTIÐ EKKI SLÖNGU EÐA SPRAUTUBÚNAÐ TIL AÐ ÞRÍFA TÆKIÐ
EÐA NÆRLIGGJANDI SVÆÐI.**

Innihald kassans



x2  

x1  

Nauðsynleg verkfæri:

Lítið stjörnuskrúfjárn

7 mm skrúfjárn

2,5mm skrúfjárn

Tork T15 skrúfjárn

Málband og blýantur

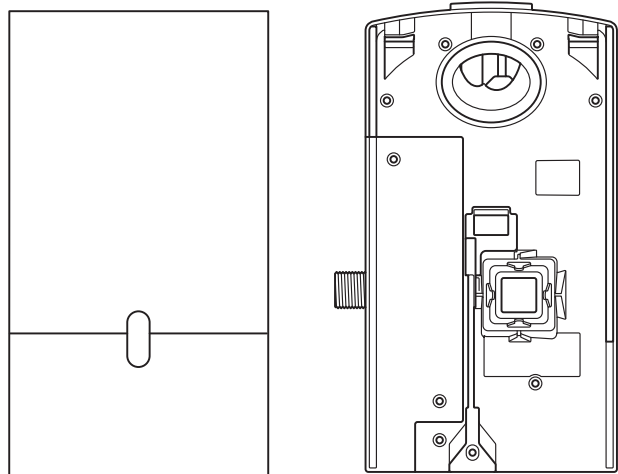
Handbor

Borbiti af réttri stærð

Tangir/afeinangrunartangir

Hnífur

Stíllanlegur skrúflykill



Skoðun fyrir uppsetningu

Mynd A

Skipulagning fyrir uppsetningu

Dyson Airblade Wash+Dry með handþurrku er hannaður þannig að mótórin er festur á vegg, undir vaskinum. [Mynd A\(i\)](#).

Mælt er með notkun tengis fyrir síuna til að koma í veg fyrir skemmdir sem gætu haft áhrif á ábyrgðina.

- Tryggið að nægilegt rými sé til staðar fyrir uppsetningu og viðhald. Sjá [mynd A\(ii\)](#).
- Tækið er hannað til notkunar á þurrum stað innanhúss.
- Kynnið ykkur tengdar uppsetningarleiðbeiningar í innlendum og alþjóðlegum reglugerðum um aðgengismál. Uppsetningaraðili ber ábyrgð á því að uppsetning samræmist reglum og reglugerðum. Þegar tækið er sett upp þarf að nota meðfylgjandi stokk, stokkhlíf og málmhylki.
- Aðferð til að aftengja öll skaut verður að vera innbyggð í fastar lagnir í samræmi við gildandi reglugerðir um rafleiðslur á hverjum stað.
- Einangrið aðveitu rafmagns og vatns áður en hafist er handa við uppsetningu eða viðhaldsvinnu.
- Gætið þess að engar aðveituleiðslur (fyrir gas, vatn eða loft), rafleiðslur, vírar eða aðrar leiðslur séu staðsettar beint fyrir aftan uppsetningar-/borunarstaðinn.
- Dyson mælir með notkun hlífðarfatnaðar, augnhlífa og annarra persónuhlífa við uppsetningu eða viðgerðir eins og þurfa þykir.
- Þessu tæki er ætlað að vera varanlega tengt við aðalvatnsleiðslu.

Notkun þar sem matvælavinnsla fer fram

Í aðstæðum þar sem matvælaframleiðsla fer fram er þörf á sérstakri uppsetningu. Koma verður mótórhulsunni og slöngunni í heild sinni fyrir í húsi sem hægt er að þrifa eða hafa mótórhulsuna hinum megin við vegg, tryggja nægt fríbil undir henni til þrifa (ef við á) og tryggja að einingin sé í að a.m.k. 2,5 metra fjarlægð frá óvörðum matvælum eða óvörðum svæðum þar sem unnið er með matvæli.

Kynnið ykkur leiðarvísi um vaska á www.dyson.com fyrir uppsetningu.

Mynd B

Sértækar leiðbeiningar fyrir vask

Tæknimenn Dyson notuðu sérhannaða prófunaraðferð til að prófa víðtækt úrval vaska í því skyni að meta samhæfi þeirra við Dyson Airblade Wash+Dry handþurrku með krana. Leiðbeiningar um ráðlagðar gerðir vaska eru á www.dyson.com.

Vaskar úr postulíni eða burstuðum málm henta sérlega vel. Forðist að nota vaska með mjög fægðu yfirborði, t.d. speglandi krómi. Sjá lágmarksmál fyrir vask á [mynd B](#).

Mynd C/D/E

Kraninn settur upp

Fjarlægðin frá miðju kranans til efsta hluta vasksins ætti að vera minnst 100 mm og mest 155 mm. [Mynd C](#).

Fjarlægðin frá miðju kranans til næsta hliðarvegs ætti að vera minnst 290 mm.

Þegar margir kranar eru settir upp hlið við hlið ættu að vera minnst 580 mm á milli miðjuhlu krananna. Þannig fæst nægilegt pláss til að setja upp mótórhylkið, sem og nægilegt olnbogarými fyrir notendur. [Mynd D](#). Staðsetjið niðurvísandi vatnsskynjarann á krananum ekki yfir speglandi yfirborði, t.d. afrennslisopi. [Mynd E](#).

Mynd F

Sápa og staðsetning sápuskammtara

Til að notkunin verði sem ánægjulegust mælir Dyson með notkun sápuþegls.

Innrauða skynjarasvæðið sem virkjar loftflæðið liggur meðfram hverri kranakvísl. Til að forðast virkjun fyrir slysi er mikilvægt að hafa hliðsjón af því hvaða leið hönd notandans fer að sápuskammtaranum.

Skammtarinn ætti að vera í minnst 60 mm fjarlægð frá breiðari hluta kranans, til að notandinn teygji höndina út með framhlið kranakvíslarinnar.

Skammtarinn ætti enn fremur að vera minnst 60 mm fyrir ofan kvíslarnar til að forðast að virkja skynjarana að óþörfu.

Hafið í huga að hugsanlega teygir notandinn höndina á ská yfir að sápuskammtaranum og sú leið má því ekki liggja gegnum skynjarasvæðið.

Mynd G/H

Frárennslis vatns

Þar sem vatn og loft kunna að spýttast út á miklum hraða í mikilli nálægð er hættu á að vatn og sápa geti slest út fyrir vaskinn. Til að draga úr hættu á slíku er ráðlegt að fylgja leiðbeiningunum hér á eftir.

Snið botn

Ef botninn er flatur slettist mikið, sem leiðir til lélegs frárennslis. Til að auka frárennslis ætti að forðast vaska með flatan botn og huga sérstaklega að svæðinu næst frárennslisopinunni, minnst 60 mm raddíus. [Mynd G](#).

Ef horn skábrautarinnar við jaðar afrennslisopsins er minnst 6° verður frárennslisíð fullnægjandi og það dregur úr slettum (minnst 60 mm raddíus). [Mynd H](#).

Mynd I/J/K

Lögun bakhliðar að framhlið

Einnig þarf að huga að lögun bakhliðar að framhlið. Bakhliðin ætti að vera eins nálægt 90° og unnt er og raddíusinn eins hvass og unnt er. [Mynd I](#). Sveigðar línur eru líklegri til að auka hættu á slettum og forðast ætti aflíðandi lögun frá bakhlið að framhlið. [Mynd J/K](#).

Mynd L

Gat fyrir tappa

Ráðlagt er að göt fyrir tappa séu sem opnust en forðast skal göt fyrir tappa með rist eða götunum, þar sem slík göt hægja á frárennslis sápuvatns (froðu). Setjið ekki tappa í götin í vöskunum.

Mynd M

Hitastýring vatns

Ef tengja á tækið við heitt og kalt vatn þarf að tengja við blöndunarloka. Ef aðeins á að tengja tækið við kalt vatn þarf að setja upp hitara.

Vatnsaðveita þessarar vöru verður að vera búin hitastýringartæki í samræmi við staðbundnar reglugerðir.

A= Blöndunarloki

B= Heitt og kalt vatn

C= Æskilegt hitastig vatns á útleið

D= Einangrunarloki

E= Hitari

F= Kalt vatn á innleið

Frekari upplýsingar

Uppsetning

Notið ekki þéttiefni þegar tækið er fest við vegginn.

Tryggið nauðsynlegt aðgengi að rafmagn og að tengingar fyrir blandað inntaksvatn og vatnsfráveitu séu fyrir hendi þegar kemur að tengingu. Viðeigandi einangrun á tengingum fyrir orku og vatn verður að vera fyrir hendi til að hægt sé að loka fyrir þær fyrir uppsetningu og þjónustu.

Rafmagn

Inntaksspenna/-tíðni: sjá merkiplötu.

Einangrað með rofaöryggi eða lekastraumstæki, eftir því sem við á.

Straumur 6,6 A.

Tæknilýsing fyrir kapal: tveggja kjarna PVC + eins kjarna PVC (jörð).

Við uppsetningu eða viðgerðir á tækinu verður að fara í öllu að staðbundnum reglugerðum um rafmagn.

Málafli: sjá merkiplötu.

Hitasvið við notkun: 0 °C–40 °C

Orkunotkun í biðstöðu:
innan við 0,5 W.

Hámarkshæð yfir sjávarmáli: 2000 metrar.

Vatnsnotkun

Vatnsstreymi: 4 l/mín. með venjulegu sigti.

1,9 l/mín með lágstreymissigti sem fylgir með.

Nauðsynlegur vatnsþrýstingur: 1–8 bör.

Við viðhaldsvinnu þarf að nota 1/2" BSP-einangraðan loka.

Hafið aukafrárennsli fyrir heitt vatn eins nálægt blöndunarloka og mögulegt er til að draga úr hættu á því að legiónellubakteríur geti þrífist.

Sjálfvirk skolun

Tækið er búð sjálfvirku skolunarkerfi sem er virkt í 60 sekúndur, sólarhring eftir síðustu notkun. Kerfið hjálpar til við að draga úr stöðnun vatns og útbreiðslu baktería í vörunni.

Tryggið að tækið sé ávallt sett upp yfir vöskum sem eru í lagi og með tengdu frárennsli.

Hreinleiki aðveituvatns og vöxtur örvera

Í sumum löndum eru reglur eða leiðbeiningar sem krefjast þess að hitastýrð vatnsveitukerfi (svo sem kerfið sem notað er í Dyson Airblade Wash+Dry með handþurrku) séu hreinsuð reglulega til að draga úr vexti örvera. Til að auðveldara sé að uppfylla þessar kröfur er Dyson Airblade Wash+Dry með handþurrku hannaður og smíðaður þannig að óhætt sé að þrifa hann að innan, bæði með allt að 95 ° heitu vatni og með natríumhýpóklórítu, að styrkleika 0,45%.

Kynnið ykkur sértækar (á viðkomandi markaði) reglugerðir og ráðleggingar um vatnsaðveitukerfi til að fá frekari upplýsingar um áskilin verkferli við hreinsun á vatnsaðveitu og vörn gegn örveruvexti í þínu landi.

Þegar Dyson Airblade Wash+Dry með handþurrku er þriffin að innanverðu þarf að huga vel að öllum öryggismálum við notkun á heitu vatni og íðefnum. Dyson tekur enga ábyrgð á neinum meiðslum sem kunna að verða við þrif.

Þolprófun

Dyson Airblade Wash+Dry með handþurrku hefur gengist undir stranga þolprófun til að tryggja að hann þoli umtalsvert álag og högg sem hann getur orðið fyrir á dæmigerðu almenningssalerni eða snyrtingu á vinnustað.

Skref fyrir skref

Mynd 1

Staðsetning

Staðsetjið kranann yfir miðju vaskins.
Mynd 1.

Skerið 35 mm gat í vinnuflötinn, ef með þarf.

Mynd 2

Uppsetning krana

Rennið 1 mm gúmmíþéttinu upp á kranahálsinn. Mynd 2a

Rennið kranahálsinum, ásamt vatnsleiðslunni og tengikaplinum sem fest eru við kranann, inn um gatið á vinnufletinum. Gangið úr skugga um að 1 mm gúmmíþéttið sitji slétt og flatt undir krananum.

Tryggið að kraninn sé í réttri stöðu yfir vaskinum.

Rennið 3,5 mm gúmmíþéttinu upp á kranahálsinn.

Skrúfið skrúfurnar í messingláshringinn og herðið lauslega.

Rennið málmskinnunni upp á kranahálsinn.

Skrúfið messingstoppróna á kranahálsinn en gætið þess að skilja eftir bil sem er 5 mm eða minna á milli málmskinnunnar og messingstoppróarinnar.

Herðið skrúfurnar í messingstopprónni að málmskinnunni eins og unnt er með höndunum.

A= 1 mm gúmmíþéttir
B= Kranaháls
C= Vatnsslanga
D= Skynjaraleiðsla
E= 3,5 mm þéttir
F= Málmskinna
G= Messingstoppró
H= 2 x skrúfur

Mynd 3

Uppsetning slöngu

Rennið gráu slöngunni upp yfir vatnsslönguna og skynjaraleiðsluna. Mynd 3a.

Þræðið vatnsslönguna út um gat vinstra megin á slöngunni, eins og sýnt er á mynd 3b.

Dragið vatnsslönguna varlega í gegn með töng, þar til komið er að heilli, hvítri línu. Mynd 3c.

Tryggið að kragi vatnsslöngunnar falli þétt inn í slönguna til að tryggja loftþéttingu. Mynd 3b.

Þræðið skynjaraleiðsluna varlega út um gatið hægra megin. Mynd 3b. NOTIÐ EKKI tangir. Slíkt gæti valdið skemmdum á raftengjunum. Mynd 3c. Tryggið að kapalraginn falli þétt inn í slönguna til að tryggja loftþéttingu. Mynd 3d. Einnig er hægt að nota silíkonfeiti til að auðvelda tengingu.

Skrúfið efri kragann á slöngunni upp á kranahálsinn og herðið með höndunum. Mynd 3e.

A= Grá slanga
B= Vatnsslanga
C= Skynjaraleiðsla

Mynd 4

Uppsetning undirstöðuplötú undirbúin

Fjarlægjið mótoryhlkið af undirstöðuplötunni með því að ýta á rauða sleppiðrofan neðst á hylkinu og lyfta því upp, eins og sýnt er á mynd 4a. Sleggið mótoryhlkið til hliðar á öruggan stað þar til þess er þörf.

Fjarlægjið vatnsrörshlífina og rafkerfishlífina af undirstöðuplötunni með T15 Tork-skrúfjárn. Mynd 4b og 4c. Leggið hlífarnar, ásamt festingunum, til hliðar á öruggan stað þar til þeirra er þörf.

Mynd 5

Undirstöðuplattan og slangan sett upp

Undirstöðuplötuna má festa á þrjá mismunandi vegu: lóðrétt eða 90° lárétt til vinstri eða hægri. Hæð frá gólfi ætti að vera minnst 100 mm. Sjá mynd 5a.

Tryggið að undirstöðuplattan liggja þannig að auðvelt sé að tengja slönguna.

EKKI snúa mótornum öfugt þannig að slangan vísi niður eða festa hann fyrir ofan kranann. Sjá mynd 5b.

Merkið staðsetningu undirstöðuplötunnar á vegginn.

Innsetningarstaður kapals

Kapalinn má draga inn annað hvort frá undirstöðunni eða úr veggnum, beint inn í tækið að aftan gegnum aftari innsetningarstað kapalsins. Velja þarf hlið áður en hafist er handa.

Notið tangir til að draga varlega út fyrir fram merktan lekaliða réttu megin á grunni undirstöðuplötunnar ef kapalinnsetning að neðan er valin. Þússið kantana á opinu fyrir lekaliðann þar til þeir eru sléttir. Mynd 5c.

Vatnsinntak

Vatn er tengt vinstra megin við undirstöðuplötuna. Ekki er hægt að snúa vatnstengingunni innan undirstöðuplötunnar. Mynd 5d.

Mynd 6

Uppsetning undirstöðuplötú

Ef innlagnarstaður kapalsins á að vera beint inn í undirstöðuplötuna úr veggnum skal draga rafmagnskapalinn út áður en undirstöðuplattan er fest við vegginn.

Festið undirstöðuplötuna við vegginn með viðeigandi festingum. Mynd 6.

Notið ekki úrsnaraðar skrúfur.

Mynd 7

Tenging skynjaraleiðslunnar

Festið slönguna inn í undirstöðuplötuna með klemmu.

Stingið skynjaraleiðslunni í slöngunni í samband við tengilinn á undirstöðuplötunni, eins og sýnt er á mynd 7. Athugið hvernig tengillinn snýr – flíparnir tveir verða að vera í beinni línu. Gætið þess að leiðslan sitji rétt í rásinni í undirstöðuplötunni.

Mynd 8

Vatnsslunga tengd

Klippað vatnsslönguna í rétta stærð við hvítu punktalínuna, eins og sýnt er á mynd 8a. Rennið hosuklemmunni (fylgir með) upp á vatnsslönguna. Mynd 8b.

Fjarlægið stjörnuskrúfurnar tvær og losið segulliðann úr undirstöðuplötunni. Mynd 8b.

Tengið vatnsslönguna við segulliðann. Mynd 8c.

Festið segulliðann aftur við undirstöðuplötuna með klemmunni og herðið skrúfurnar tvær. Mynd 8d.

Herðið hosuklemmuna og gangið úr skugga um að segulliðaleiðslan sitji rétt í festirásinni.

Mynd 9

Rafmagnstenging

Notið samþykktu stokka og rafmagnstengingar, sveigjanlegar eða stífar, til að tengja tækið við rafmagn. Tryggið að leiðslan sé nægilega löng til að hægt sé að leiða hana á réttan hátt í gegnum undirstöðuplötuna að tengjablokkinni.

Herðið þéttihring leiðslunnar.

Styttið leiðsluna að hæfilegri lengd og festið bæði spennuhafaleiðslur og núllleiðslur á viðeigandi staði í tengjablokkinni, eins og sýnt er á mynd 9. Tryggið að leiðslurnar sitji rétt áður en lengra er haldið.

Mynd 10

Rafkerfishlífin sett aftur upp

Festið rafkerfishlífinu með festingunum sex sem með fylgja. Gætið þess að engar rafleiðslur festist á bak við hlífina.

Mynd 11

Blandaða innrennslisvatnstrásin tengd

Gangið úr skugga um óhreinindi, koparflísar o.s.frv. hafi að fullu verið hreinsað úr vatnslögninni áður en hún er tengd við undirstöðuplötuna. Ef það er ekki gert getur segulliðalokinn skemmst sem leiðir til þess að hann lokast ekki fullkomlega og kraninn lekur.

Tengið einangruðu, blönduðu innrennslisvatnstrásina við undirstöðuplötuna.

Skrúfið frá vatninu.

Leitið eftir leka við aðalinntak vatns og þar sem vatnsleiðslan er tengd við kranann.

Leitið einnig eftir leka við spólutenginguna.

Mynd 12

Rafmagni hleypt á

Kveikið á vélinni.

KVÖRÐUNARLOTA: þegar uppsetningu er lokið fer kraninn í gegnum 30 sekúndna kvörðunarhringrás.

Setjið hönd undir skynjarann á krananum til að virkja vatnsflæðið. Mynd. 12a.

Leitið eftir leka í samræmi við mynd 11.

Festið vatnsslönguhlífina við undirstöðuplötuna með tveim meðfylgjandi festingum. Mynd 12b.

Mynd 13

Mótorhylkið sett saman

Krækið mótorhylkinu upp á rafkerfishlífinu að ofanverðu. Hnykkið hylkinu niður á við svo það smelli á réttan stað, eins og sýnt er. Þrýstið hylkinu tryggilega á sinn stað mynd 13a.

VALKOSTUR: skrúfa fylgir með til að festa rauða losunarhnappinn og koma í veg fyrir að mótorhulsan losni óvænt.

Prófið hvort tækið starfar rétt.

Festið mótorhylkið á undirstöðuplötuna (valkvæmt).

Til að fjarlægja síuna skal losa flipann á síunni varlega með skrúfjárn, eins og sýnt er á mynd 13b.

Festið mótorhylkið við undirstöðuplötuna með meðfylgjandi öryggisfestingum. Mynd 13c.

Tengið síuna aftur og gangið úr skugga um að hún smelli á sinn stað. Mynd 13d.

Prófun á uppsetningu

Prófið handþurrkarann við venjulega notkun:

- Setjið hendurnar undir miðjan kranann. Þá streymir vatn sjálfkrafa úr krananum, eins lengi og höndunum er haldið þar.
- Setjið hendurnar hvora sínum megin við miðkranann til að kveikja á handþurrkunni og þá myndast lofttungur sem skafa vatnið af höndunum.
- Færið hendurnar hægt fram og aftur í gegnum loftstrauminn og snúið þeim til að þurrka bæði lófa og handarbak. Snúið höndunum þannig að bæði bak og lófar fái á sig loftstreymi.

Úrræðaleit

Handþurrkan fer ekki í gang:

- Athugið hvort öryggi/útsláttarrofi virkar og gætið þess að rafstraumur og vatnsinntak séu tengd.
- Gætið þess að hreinsunarhettan sé ekki á og að skynjararnir séu hreinir og lausir við fyrirstöðu.
- Slökkvið á tækinu og kveikið aftur á því.

Handþurrkan kveikir og slekkur óreglulega á sér.

- Slökkvið á tækinu og kveikið aftur á því.
- Gangið úr skugga um að enginn tappi sé í vaskinum, ef tappi er til staðar skal fjarlægja hann.
- Gætið þess að skynjararnir séu hreinir.
- Gætið þess að skynjaraleiðslan frá krananum sé tryggilega tengd.

Handþurrkan slekkur stundum á sér þegar hún er í notkun:

- Slökkvið á tækinu og kveikið aftur á því.
- Gætið þess að skynjararnir séu hreinir.
- Gætið þess að loftinntök séu hrein og laus við ryk. Ef ryk er í loftinntökum skal fjarlægja það.
- Gætið þess að engar hindranir séu fyrir loftinntökum og að fríbil þeirra sé nægilegt.

Handþurrkan er lengur að þurrka en áður:

- Athugið hvort ryk er á loftinntökum og fjarlægjið það.
- Skoðið síuna og skiptið um síu ef þörf krefur.
- Gætið þess að slangan sé tryggilega fest við neðri hluta kranans og að hvergi finnist leki.

Loftstreymið er heitara en venjulega:

- Athugið hvort ryk er á loftinntökum og fjarlægjið það.
- Skoðið síuna og skiptið um síu ef þörf krefur.
- Gætið þess að slangan sé tryggilega fest við neðri hluta kranans og að hvergi finnist leki.

Loft streymir stöðugt úr handþurrkunni:

- Kannið hvort eitthvað lauslegt er í vaskinum og fjarlægjið ef svo er.
- Gætið þess að skynjararnir séu hreinir og lausir við hindranir.
- Skoðið síuna og skiptið um síu ef þörf krefur.
- Gætið þess að slangan sé tryggilega fest við neðri hluta kranans og að hvergi finnist leki.

Ekkert loft streymir úr tækinu:

- Slökkvið á tækinu og kveikið aftur á því.
- Athugið hvort öryggi/útsláttarrofi virkar og gætið þess að tenging við rafmagn sé til staðar.
- Gætið þess að skynjararnir séu hreinir.
- Gætið þess að loftslangan sé tryggilega fest við neðri hluta kranans og að hvergi finnist leki.
- Gætið þess að skynjaraleiðslan frá krananum sé tryggilega tengd.

Vatn rennur stöðugt úr krananum:

- Gætið þess að skynjararnir séu hreinir og lausir við hindranir.

Ekkert vatn kemur úr krananum:

- Gætið þess að kveikt sé á raf- og vatnsstraumi og að einangrunarlokinn sé opinn.
- Gætið þess að sigtið í krananum sé laust við óhreinindi; fjarlægjið það og hreinsið eða skiptið um það ef þörf krefur.

Vatnið sem rennur úr krananum er of heitt eða of kalt:

- Athugið hvort blöndunarlokinn er stilltur á æskilegt hitastig.
- Hafið samband við þjónustuver Dyson til að fá frekari aðstoð og upplýsingar eða á netinu á www.dyson.com

IT/CH

Sommario

Norme di sicurezza importanti	157	⚠
Contenuto della confezione	158	
Controlli preinstallazione	159	
Installazione		
Guida completa	161	
Installazione di prova	163	
Risoluzione dei problemi	163	

NORME DI SICUREZZA IMPORTANTI

LEGGERE E CONSERVARE QUESTE ISTRUZIONI

PRIMA DI INSTALLARE O UTILIZZARE LA PRESENTE UNITÀ, LEGGERE TUTTE LE ISTRUZIONI E LE AVVERTENZE RIPORTATE NEL MANUALE UTENTE E NELLA GUIDA D'INSTALLAZIONE.

ATTENZIONE

TUTTI I LAVORI DI INSTALLAZIONE E MANUTENZIONE (DI NATURA IDRAULICA ED ELETTRICA) DEVONO ESSERE ESEGUITI DA PERSONALE QUALIFICATO O DA UN TECNICO DELL'ASSISTENZA DYSON CONFORMEMENTE ALLE NORME O AI REGOLAMENTI LOCALI CORRENTI.

ATTENZIONE

RISCHIO DI SCOSSE ELETTRICHE!

SE IL CONTENITORE VIENE RIMOSSO O MANEGGIATO IN MODO IMPROPRIO, I COMPONENTI INTERNI DELL'UNITÀ POTREBBERO CAUSARE DANNI OPPURE DANNEGGIARSI IN MODO DEFINITIVO.

L'UNITÀ DEVE ESSERE COLLEGATA A TERRA PER RIDURRE IL RISCHIO DI INCENDIO, SCOSSE ELETTRICHE O LESIONI ALLE PERSONE.

Prima di iniziare qualsiasi lavoro di installazione, verificare quanto persone, attenersi a quanto segue:

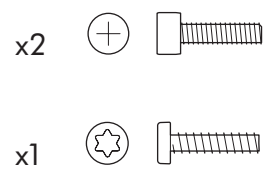
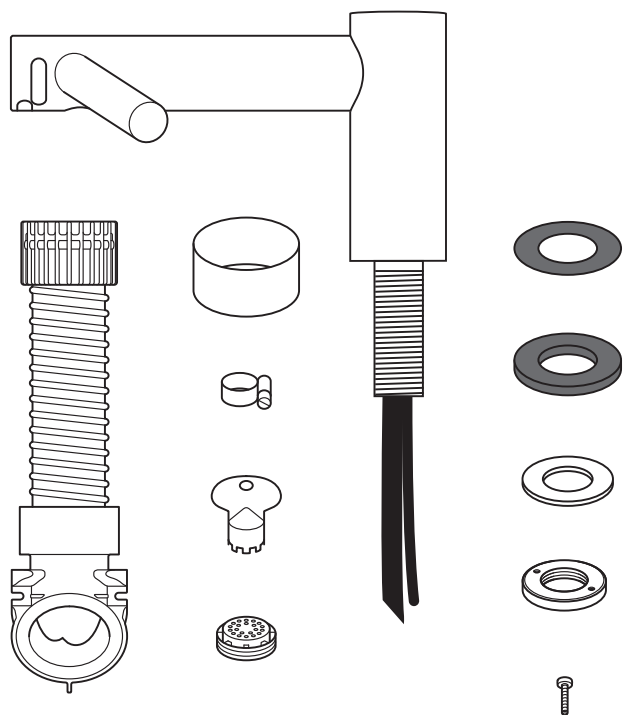
- Verificare che l'alimentazione elettrica corrisponda a quella indicata sulla targhetta.
- Il cablaggio fisso deve integrare un dispositivo di disconnessione onnipolare, conformemente alle normative locali in materia di cablaggio.
- Collegare l'alimentazione elettrica utilizzando condotti e raccorderie per impianti elettrici adeguati. Verificare che la lunghezza dei condotti e dei cavi consenta il collegamento alla contropiastra e alla morsettiera. I condotti in metallo solido non sono adatti in caso di ingresso laterale.

ATTENZIONE

Prestare attenzione durante il disimballaggio dei componenti. La presenza di bordi/angoli taglienti può causare lesioni o danni.

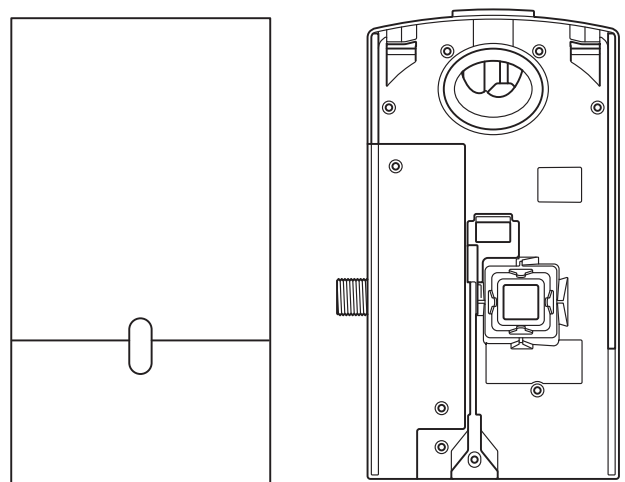
NON UTILIZZARE APPARECCHIATURE DI LAVAGGIO A GETTO PER LA PULIZIA DI QUESTA UNITÀ O DELL'AMBIENTE CIRCOSTANTE.

Contenuto della confezione



Strumenti necessari:

- Cacciavite piccolo Phillips
- Cacciavite a taglio da 7 mm
- Cacciavite a taglio da 2,5 mm
- Cacciavite Torx T15
- Metro a nastro e matita
- Trapano portatile
- Punta da trapano idonea
- Pinze e pinze spelafili
- Coltello
- Chiave regolabile



Controlli preinstallazione

Fig. A

Pianificazione preinstallazione

L'asciugamani ad aria Dyson Airblade Wash+Dry è progettato in modo che l'unità motore sia montata a parete e posizionata sotto il lavandino, Fig. A(i).

Il montaggio di un filtro in linea è consigliato per evitare eventuali danni che potrebbero influire sulla validità della garanzia.

- Lasciare uno spazio di accesso sufficiente per l'installazione e la manutenzione, Fig. A(ii).
- L'unità è stata progettata esclusivamente per la collocazione in un ambiente interno asciutto.
- Per le linee guida relative all'installazione, consultare le norme e i codici locali e nazionali in materia di accessibilità. L'installatore è responsabile della conformità. Assicurarsi che l'unità sia installata tramite il condotto, il coperchio condotto e l'involucro in metallo.
- Il cablaggio fisso deve integrare un dispositivo di disconnessione onnipolare, conformemente alle normative locali in materia di cablaggio.
- Interrompere l'alimentazione e la fornitura d'acqua prima di effettuare lavori di installazione o manutenzione.
- Verificare che dietro l'area di perforazione/montaggio non siano presenti condutture di gas, acqua o aria, fili o cavi elettrici o altre tubature.
- Dyson consiglia di utilizzare indumenti protettivi e occhiali di sicurezza durante l'installazione/riparazione a seconda delle necessità.

- Questo apparecchio è destinato ad essere collegato alle condutture idrauliche in modo permanente.

Utilizzo in aree preposte alla preparazione di alimenti

Per gli ambienti in cui vengono trattati alimenti, è richiesta un'installazione speciale, che preveda l'inclusione del cestello del motore e del tubo flessibile in un alloggiamento facile da pulire oppure in cui il cestello del motore sia posizionato dall'altro lato della parete, vi sia abbastanza spazio per pulire la parte sottostante (se presente) e l'unità sia a una distanza di almeno 2,5 metri dagli alimenti non coperti o da superfici non coperte che vengono a contatto con gli alimenti.

Prima dell'installazione, consultare la guida sui lavandini consigliati su www.dyson.com.

Fig. B

Linee guida specifiche per il lavandino

Tramite l'utilizzo di un metodo di prova ideato in maniera specifica, gli ingegneri Dyson hanno testato un'ampia gamma di lavandini per verificarne la compatibilità con l'asciugamani ad aria Dyson Airblade Wash+Dry. Per i lavandini consigliati, si prega di utilizzare la nostra guida reperibile sul sito www.dyson.com

Sono ideali i lavandini di porcellana o di metallo spazzolato. I lavandini aventi superfici particolarmente lucide, come ad esempio quelle cromate riflettenti, dovrebbero essere evitati.

Per conoscere le dimensioni minime del lavandino, fare riferimento alla Fig. B.

Fig. C/D/E

Montaggio del rubinetto

È necessaria una distanza minima di 100 mm e massima di 155 mm dalla parte superiore del lavandino al centro del rubinetto, Fig. C. È necessaria una distanza minima di 290 mm tra il centro del rubinetto e la parete laterale. Quando vengono installati rubinetti multipli l'uno accanto all'altro, le parti centrali dei rubinetti devono avere una distanza minima di 580 mm. Questo consente di ottenere uno spazio sufficiente per il montaggio del cestello del motore e uno spazio di utilizzo sufficiente per l'utente, Fig. D.

Non posizionare il sensore d'acqua del rubinetto rivolto verso il basso su una superficie riflettente, come il foro di drenaggio, Fig. E.

Fig. F

Sapone e posizionamento dell'erogatore del sapone

Per una migliore esperienza d'uso, Dyson consiglia l'utilizzo di saponi in gel.

La zona sensore a infrarossi per l'attivazione dell'aria si estende lungo ciascun braccio del rubinetto. Al fine di prevenire un'attivazione involontaria, è importante tenere in considerazione la traiettoria della mano dell'utente verso l'erogatore del sapone.

L'erogatore dovrebbe essere posizionato ad almeno 60 mm dall'ampiezza del rubinetto, in modo che l'utente possa raggiungere la parte laterale del braccio.

Dovrebbe anche essere posizionato almeno 60 mm al di sopra delle braccia, in modo che i sensori non vengano attivati.

Si prega di notare che l'utente potrebbe raggiungere il sapone in direzione diagonale, quindi questo percorso non deve essere attraversato dalla zona sensore.

Fig. G/H

Drenaggio dell'acqua

A causa della vicinanza tra l'acqua e il flusso ad alta velocità dell'aria, potrebbe verificarsi la dispersione di una piccola quantità di acqua e sapone al di fuori del lavandino. Per ridurre questo effetto, consigliamo di osservare le linee guida seguenti.

Profilo della base

Un profilo a base piatta condurrà ad uno scarso drenaggio, portando ad alti livelli di fuoriuscita del liquido. Per migliorare il drenaggio, evitare i lavandini a base piatta e concentrarsi in modo particolare sull'area immediatamente circostante il foro di drenaggio, con un raggio di minimo 60 mm, Fig. G.

Un angolo di rampa di minimo 6° dal bordo del foro di drenaggio risulterà in drenaggio ottimale, riducendo così i livelli di fuoriuscita del liquido (raggio di minimo 60 mm), Fig. H.

Fig. I/J/K

Base per la transizione di parete posteriore e anteriore

È necessario considerare anche la base per la transizione di parete posteriore e anteriore. La parete posteriore dovrebbe avvicinarsi il più possibile ai 90° e alla punta del raggio (Fig. I). Una geometria curva aumenta le possibilità di fuoriuscita del liquido (Fig. J), mentre le transizioni di parete anteriore e posteriore inclinate andrebbero evitate (Fig. K).

Fig. L

Foro di scarico

Sono consigliati i fori di scarico con apertura molto ampia, mentre dovrebbero essere evitati i fori a griglia o perforati in quanto limitano il drenaggio di acqua saponata (schiuma). Non utilizzare tappi nei fori di scarico dei lavandini.

Fig. M

Controllo della temperatura dell'acqua

Se si è collegati all'alimentazione di acqua calda e fredda, sarà necessario installare una valvola miscelatrice.

Se si è collegati soltanto all'alimentazione di acqua fredda, sarà necessario installare un termoconvettore.

La fornitura d'acqua per questo prodotto deve essere regolata da un dispositivo di controllo della temperatura, in conformità alle normative locali.

- A= Valvola miscelatrice
- B= Alimentazione di acqua calda e fredda
- C= Temperatura desiderata
- D= Valvola di isolamento
- E= Termoconvettore
- F= Alimentazione di acqua fredda

Informazioni aggiuntive

Installazione

Non utilizzare sigillante durante il fissaggio dell'unità alla parete.

Accertarsi che le forniture dell'elettricità e dell'acqua miscelata e le connessioni di scarico siano disponibili per la connessione.

È necessario eseguire l'isolamento dell'alimentazione e della fornitura d'acqua prima di effettuare lavori di installazione o manutenzione.

Impianto elettrico

Tensione/frequenza di ingresso: fare riferimento alla targhetta.

Isolato da un fusibile a impulso o RCD, come appropriato.

Intensità di corrente: 6,6 A.

Specifica dei cavi: PVC a due anime + PVC con anima singola (terra).

Al momento dell'installazione o della riparazione del prodotto, vanno rispettate le normative elettriche locali.

Potenza nominale: fare riferimento alla targhetta.

Intervallo di temperatura operativa: 0 °C – 40 °C.

Consumo di energia in standby: meno di 0,5 W.

Altitudine massima: 2000 metri.

Funzionamento dell'acqua

Portata dell'acqua: Minimo 4 l/min per aeratori montati in condizioni normali.

Minimo 1,9 l/min per gli aeratori a basso

flusso forniti in dotazione insieme al prodotto.

Pressione dell'acqua richiesta: 1-8 bar.

Valvola di isolamento richiesta per la manutenzione: 1/2" BSP.

Assicurarsi che il ritorno dell'acqua calda secondario sia il più vicino possibile alla valvola miscelatrice per ridurre il rischio di proliferazione dei batteri della legionella.

Scarico automatico

L'unità è dotata di un sistema di scarico automatico dell'acqua, che si attiva per 60 secondi. 24 ore dopo l'ultimo utilizzo.

In questo modo si evitano il ristagno dell'acqua e la proliferazione dei batteri all'interno delle tubazioni.

Verificare sempre che l'unità sia collegata a un sistema di drenaggio aperto.

Pulizia della fornitura d'acqua e proliferazione biologica

In alcune nazioni esistono norme e linee guida che richiedono che i sistemi di fornitura dell'acqua a temperatura controllata (come ad esempio quelli forniti in dotazione con l'asciugamani ad aria Dyson Airblade Wash+Dry) siano soggetti a regolare pulizia in modo da minimizzare la proliferazione biologica. Per consentire il rispetto di tali normative, l'asciugamani ad aria Dyson Airblade Wash+Dry è stato progettato e testato per resistere alla pulizia interna con acqua calda fino a 95 °C e con ipoclorito di sodio con concentrazione dello 0,45%.

Si prega di fare riferimento alle normative specifiche (del mercato) e alle raccomandazioni del sistema di fornitura dell'acqua per ottenere informazioni sui regimi di pulizia e igiene relativi alla fornitura dell'acqua e alla proliferazione biologica dei singoli Paesi.

Durante la pulizia interna dell'asciugamani ad aria Dyson Airblade Wash+Dry, si prega di considerare le misure di sicurezza relative all'utilizzo di acqua calda e sostanze chimiche. Dyson non si riterrà responsabile per eventuali lesioni avvenute durante tale processo.

Test con sollecitazioni

L'asciugamani ad aria Dyson Airblade Wash+Dry è stato sottoposto a rigorosi test con sollecitazioni per assicurare la resistenza a forze e impatti consistenti tipici di ambienti come bagni pubblici o commerciali.

Guida completa

Fig. 1

Posizione

Posizionare il rubinetto al centro del lavandino, Fig. 1.

Praticare un foro con diametro di 35 mm nella superficie di lavoro, se necessario.

Fig. 2

Montaggio del rubinetto

Inserire la guarnizione in gomma da 1 mm facendola scorrere sull'asta del rubinetto, Fig. 2a.

Far passare l'asta del rubinetto con il tubo dell'acqua collegato e il cavo di comunicazione attraverso il foro praticato nella superficie di lavoro. Assicurarsi che la guarnizione in gomma da 1 mm sia posizionata in modo uniforme sotto il rubinetto e aderisca completamente.

Assicurarsi che il rubinetto sia in posizione corretta sopra il lavandino.

Inserire la guarnizione in gomma da 3,5 mm facendola scorrere sull'asta del rubinetto.

Inserire le viti nell'anello di bloccaggio in ottone e serrarle leggermente affinché restino in posizione.

Inserire la rondella in metallo facendola scorrere sull'asta del rubinetto.

Avvitare il dado di bloccaggio in ottone sull'asta del rubinetto, lasciando uno spazio inferiore o pari a 5 mm tra la rondella in metallo e il dado di bloccaggio in ottone.

Serrare a mano le viti sul dado di bloccaggio in ottone fino alla rondella in metallo.

A= guarnizione in gomma da 1 mm
B= asta del rubinetto
C= tubo dell'acqua
D= cavo del sensore
E= guarnizione da 3,5 mm
F= rondella in metallo
G= dado di bloccaggio in ottone
H= 2 viti

Fig. 3

Installazione del tubo flessibile

Far scorrere il tubo flessibile grigio verso l'alto sul tubo dell'acqua e sul cavo del sensore, Fig. 3a.

Far passare il tubo dell'acqua attraverso il foro di uscita a sinistra nel condotto del tubo flessibile, come illustrato nella Fig. 3b.

Utilizzare delle pinze per far scorrere delicatamente il tubo dell'acqua fino alla linea bianca continua, Fig. 3c.

Verificare che la guarnizione sul tubo dell'acqua si inserisca saldamente nel condotto del tubo flessibile in modo da garantirne la tenuta all'aria, Fig. 3b.

Far passare il cavo del sensore attraverso il foro di uscita a destra, tirando delicatamente man mano che il cavo viene inserito, Fig. 3b.

NON utilizzare pinze in quanto si potrebbero causare danni ai collegamenti elettrici, Fig. 3c. Verificare che la guarnizione sul cavo si inserisca saldamente nel condotto del tubo flessibile in modo da garantirne la tenuta all'aria, Fig. 3d. Per effettuare le operazioni di montaggio,

è possibile utilizzare del silicone. Avvitare il manicotto superiore del tubo flessibile sull'asta del rubinetto serrandolo a mano, Fig. 3e.

A= tubo flessibile grigio
B= tubo dell'acqua
C= cavo del sensore

Fig. 4

Preparazione dell'installazione della contropiastra

Rimuovere il cestello del motore dalla contropiastra premendo il tasto di sblocco rosso presente sulla parte inferiore e sollevandolo come illustrato nella Fig. 4a. Rimuovere il cestello del motore e riporlo in un luogo sicuro per il tempo necessario.

Rimuovere il copritubo della tubazione e il coperchio della scatola dei collegamenti elettrici dalla contropiastra utilizzando un cacciavite Torx T15, come illustrato nelle Fig. 4b e 4c. Riporli in modo sicuro insieme ai fissaggi per il tempo necessario.

Fig. 5

Installazione della contropiastra e del tubo flessibile

La contropiastra può essere posizionata in uno dei tre modi riportati di seguito: in verticale, in orizzontale di 90° a sinistra o in orizzontale di 90° a destra. La distanza dal pavimento deve essere di almeno 100 mm, vedere Fig. 5a.

Assicurarsi che la contropiastra sia posizionata in modo tale che il tubo flessibile possa essere collegato facilmente.

NON capovolgere il motore rivolgendo il tubo flessibile verso il basso né posizionarlo sopra il rubinetto, vedere Fig. 5b.

Contrassegnare la posizione della contropiastra sulla parete.

Ingresso del cavo

È possibile introdurre il cavo dalla base o dalla parete attraverso il punto di ingresso posteriore del cavo. Prima di iniziare, scegliere una delle opzioni disponibili.

Se si sceglie l'ingresso del cavo che attraversa la base, utilizzare le pinze per rimuovere con cura il pannello amovibile precontrassegnato sulla base della contropiastra. Rifilare i bordi della sezione amovibile per renderli lisci, Fig. 5c.

Ingresso dell'acqua

L'attacco dell'acqua è sul lato sinistro della contropiastra. L'attacco dell'acqua non può essere ruotato all'interno della contropiastra, Fig. 5d.

Fig. 6

Montaggio della contropiastra

Se si prevede di far entrare il cavo direttamente nella contropiastra dalla parete, far passare il cavo elettrico prima di fissare la contropiastra alla parete.

Fissare la contropiastra alla parete utilizzando gli appositi fissaggi, Fig. 6. Non utilizzare viti a testa svasata.

Fig. 7

Collegamento del cavo del sensore

Fissare il tubo flessibile nella contropiastra.

Inserire il cavo del sensore nel tubo flessibile collegandolo al connettore presente sulla contropiastra, come illustrato nella Fig. 7. Verificare il corretto orientamento del connettore; le due alette devono essere allineate. Assicurarsi che il cavo sia inserito correttamente nella contropiastra.

Fig. 8

Collegamento del tubo dell'acqua

Tagliare a misura il tubo dell'acqua in corrispondenza della linea bianca tratteggiata, come illustrato nella Fig. 8a.

Infilare la clip del tubo flessibile (fornita in dotazione) facendola scorrere sul tubo dell'acqua, Fig. 8b.

Rimuovere le 2 viti Phillips e scollegare il solenoide dalla contropiastra, Fig. 8b.

Collegare il tubo flessibile dell'acqua al solenoide, Fig. 8c.

Fissare il solenoide sul retro della contropiastra utilizzando le 2 viti, Fig. 8d.

Serrare la clip del tubo flessibile e assicurarsi che il cavo del solenoide sia posizionato correttamente nel canale di sostegno.

Fig. 9

Collegamento dell'alimentazione elettrica

Collegare l'alimentazione elettrica alla contropiastra utilizzando il condotto flessibile o rigido approvato e i raccordi. Assicurarsi che la lunghezza del cavo consenta il collegamento alla morsettiere montata sulla contropiastra.

Collegare il cavo alla contropiastra e serrare il pressacavo.

Rimuovere la guaina di protezione fino alla lunghezza desiderata e fissare i cavi sotto tensione e neutri nelle morsettiere corrispondenti come mostrato in Fig. 9. Assicurarsi che i cavi siano posizionati correttamente prima di procedere.

Fig. 10

Riassemblare il coperchio della scatola dei collegamenti elettrici.

Fissare il coperchio della scatola dei collegamenti elettrici con i 6 fissaggi forniti in dotazione, assicurandosi che non vi siano cavi incastrati.

Fig. 11

Collegamento della fornitura dell'acqua miscelata

NOTA: prima di effettuare il collegamento alla contropiastra, assicurarsi che la fornitura d'acqua sia completamente priva di detriti, trucioli di rame ecc. In caso contrario, è possibile che l'elettrovalvola si danneggi e non si chiuda in modo corretto, con conseguente gocciolamento del rubinetto.

Collegare la fornitura isolata dell'acqua miscelata alla contropiastra.

Far scorrere l'acqua.

Verificare la presenza di eventuali perdite in corrispondenza dell'ingresso della fornitura dell'acqua principale e dell'attacco del tubo dell'acqua al rubinetto.

Verificare anche la presenza di perdite nel punto di collegamento del solenoide.

Fig. 12

Accensione dell'alimentazione

Accendere l'alimentazione dell'apparecchio.

CICLO DI CALIBRAZIONE: una volta installato, il rubinetto inizierà un ciclo di calibrazione di 30 secondi.

Mettere la mano sotto il sensore del rubinetto per far scorrere l'acqua, Fig. 12a.

Verificare la presenza di perdite come in Fig. 11.

Fissare il copritubo della tubazione sulla contropiastra utilizzando i 2 fissaggi forniti in dotazione, Fig. 12b.

Fig. 13

Assemblaggio del cestello a motore

Agganciare il motore alla parte superiore del coperchio della scatola dei collegamenti elettrici. Ruotarlo verso il basso fino a farlo scattare in posizione come illustrato. Fissarlo saldamente in posizione, Fig. 13a.

FACOLTATIVO: viene fornita una vite per fissare il pulsante di sblocco rosso ed evitare che il cestello del motore venga rimosso accidentalmente.

Testare l'unità per verificarne il corretto funzionamento.

Fissaggio del cestello del motore alla contropiastra (opzionale).

Per rimuovere il filtro, utilizzare con attenzione un cacciavite per rilasciare il dispositivo di sblocco sul filtro come illustrato nella Fig. 13b.

Fissare il cestello del motore alla contropiastra utilizzando la vite di sicurezza fornita in dotazione. Fig. 13c.

Ricollegare il filtro accertandosi che scatti in posizione. Fig. 13d.

Installazione di prova

Testare l'asciugamani ad aria per verificarne il funzionamento:

- Posizionare le mani ai lati del rubinetto centrale per attivare l'asciugamani ad aria.
- Posizionare le mani sotto il centro del rubinetto: l'acqua inizierà automaticamente a scorrere fino a quando non si ritrarranno le mani.
- Muovere lentamente le mani avanti e indietro sotto il flusso dell'aria. Ruotare le mani per asciugare sia il palmo sia il dorso.

Risoluzione dei problemi

L'asciugamani ad aria non si avvia:

- Verificare che il fusibile/interruttore automatico funzioni e che l'alimentazione elettrica e la fornitura dell'acqua siano collegate.
- Assicurarsi che il cappuccio di protezione sia stato rimosso e che i sensori siano puliti e liberi da ostruzioni.
- Accendere e spegnere l'unità.

L'asciugamani ad aria si accende e si spegne in modo irregolare:

- Accendere e spegnere l'unità.
- Controllare che nel lavandino non sia presente il tappo e rimuoverlo se necessario.
- Verificare che i sensori siano puliti.
- Verificare che il cavo del sensore proveniente dal rubinetto sia collegato saldamente.

L'asciugamani ad aria a volte si spegne durante l'uso:

- Accendere e spegnere l'unità.
- Verificare che i sensori siano puliti.
- Verificare che le prese d'aria siano pulite e prive di polvere. Se le prese d'aria sono ostruite, rimuovere semplicemente la polvere.
- Assicurarsi che le prese d'aria siano libere da ostruzioni e che lo spazio intorno ad esse sia sufficiente.

Il tempo di asciugatura è aumentato:

- Ispezionare le prese d'aria per rilevare l'eventuale presenza di polvere e rimuoverla.
- Ispezionare il filtro e sostituirlo in caso di necessità.
- Assicurarsi che il tubo flessibile sia collegato saldamente alla base del rubinetto ed escludere la presenza di perdite.

Il flusso d'aria è più caldo del solito:

- Ispezionare le prese d'aria per rilevare l'eventuale presenza di polvere e rimuoverla.
- Ispezionare il filtro e sostituirlo in caso di necessità.
- Assicurarsi che il tubo flessibile sia collegato saldamente alla base del rubinetto ed escludere la presenza di perdite.

Il flusso dell'aria non si arresta:

- Controllare l'eventuale presenza di oggetti nel lavandino e rimuoverli se necessario.
- Assicurarsi che i sensori siano puliti e liberi da ostruzioni.
- Ispezionare il filtro e sostituirlo in caso di necessità.
- Assicurarsi che il tubo flessibile sia collegato saldamente alla base del rubinetto ed escludere la presenza di perdite.

L'aria non fuoriesce:

- Accendere e spegnere l'unità.
- Verificare che il fusibile/interruttore automatico funzioni e che l'alimentazione elettrica sia collegata.
- Verificare che i sensori siano puliti.
- Assicurarsi che il tubo flessibile dell'aria sia collegato saldamente alla base del rubinetto ed escludere la presenza di perdite.
- Verificare che il cavo del sensore proveniente dal rubinetto sia collegato saldamente.

L'acqua fuoriesce continuamente dal rubinetto:

- Assicurarsi che i sensori siano puliti e liberi da ostruzioni.

L'acqua non fuoriesce dal rubinetto:

- Assicurarsi che l'alimentazione elettrica e la fornitura dell'acqua siano attivate e che la valvola di isolamento sia aperta.
- Verificare che l'aeratore sia libero da residui; rimuovere e pulire/sostituire in caso di necessità.

L'acqua proveniente dal rubinetto è eccessivamente calda o fredda:

- Controllare che la valvola miscelatrice sia impostata sulla temperatura desiderata.
- Per ulteriori informazioni e supporto, contattare l'assistenza clienti Dyson o visitare il sito Internet www.dyson.com

JP 目次

安全に関する重要な確認事項	165	⚠
同梱の付属品	166	
取り付け前の確認事項	167	
取り付け手順	169	
取り付けテスト	171	
トラブルシューティング	171	

安全に関する重要な確認事項

本取扱説明書を注意して読み、大切に保管してください。

本製品の取り付けや使用前に、本取り付けガイドおよび取扱説明書に記載された手順と注意マークの項目をすべてお読みください。

警告

すべての取り付けや修理作業（配管や電気配線）は、資格を有する方が販売国の規制に従って行ってください。

警告

感電の危険があります！

カバーが外れていたり、本製品の内部部品を不適切に取り扱ったりすると、危害、回復不能な損傷を受けたりする可能性があります。

火災、感電、または負傷のリスクを低減するため、本製品は必ずアース接続してください。

取り付け作業を始める前に、以下の点を確認する必要があります。

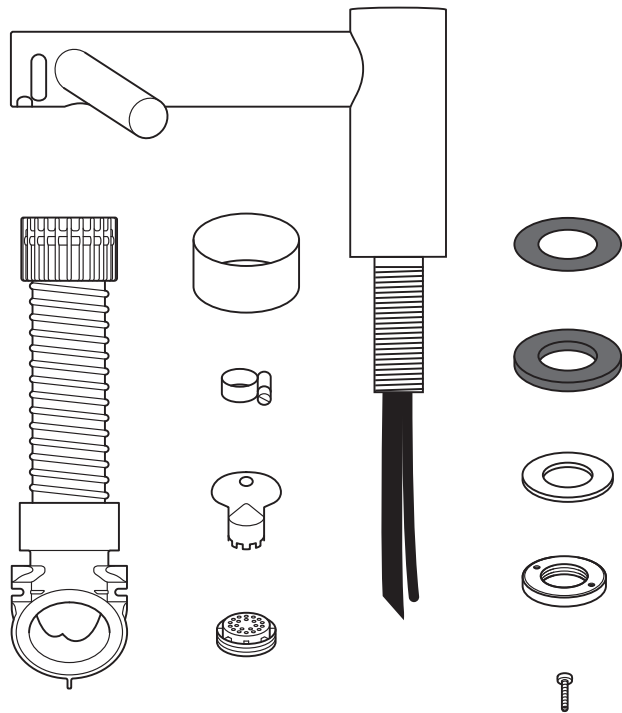
- 電源供給が製品ラベルの記載に一致することを確認してください。
- 全極遮断するためには、販売国の配線規則に従って、固定配線に組み込む必要があります。
- 適切な電線管と電気接続金具を使用して電源供給に接続してください。電線管と配線は、バックプレートと端子ブロックへの接続に十分な長さを確保してください。固形金属製電線管は側面の側入口には適合しません。

警告

部品の解梱時にはご注意ください。部品の端や角にとがった部分があり、切れたり怪我したりする可能性があります。

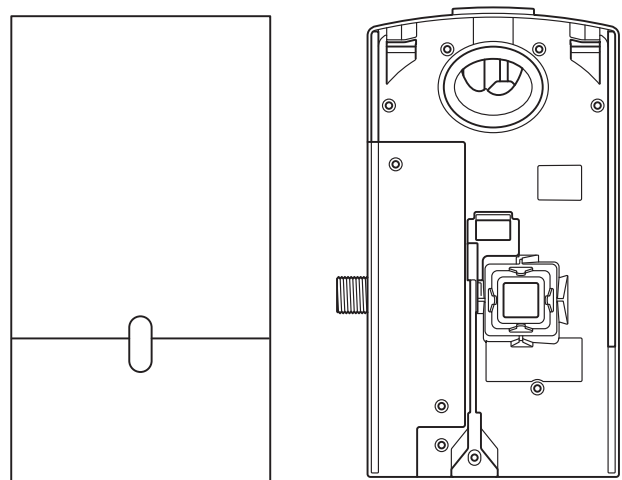
本製品または周辺を清掃する時には、高圧洗浄器を使用しないでください。

同梱の付属品



x2  

x1  



必要なツール:

- 小プラスドライバー
- 7mm ブレードスクリュードライバー
- 2.5mm マイナスドライバー
- T15 トルクスドライバー
- テープメジャーと鉛筆
- ハンドドリル
- 適切なドリル用ビット
- ベンチ / ワイヤーストリッパー
- カッターナイフ
- スパナー

取り付け前の確認事項

図 A

取り付け前の確認事項

本製品は、モーターバケットが壁面取り付け式で、図A(i)の通り、シンクの下に取り付けます。

保証に影響を及ぼす可能性がある損傷を防ぐため、インラインフィルターの取り付けを推奨しています。

- 図A(ii)の通り、取り付けおよび保守点検のための十分なスペースを確保してください。
- 本製品は、屋内の乾燥した場所でのみ使用するように設計されています。
- 取り付けの基準に関しては、販売国の搬入及び導線などの規制に則ってください。法令の順守は取り付け作業者の責任です。
- 全極接続を取り外す手段は、販売国の電気関係法令に従って固定配線に組み込まなければなりません。
- 取り付けまたは保守点検を行う前に絶縁し、給水を停止してください。
- ドリルで取り付け部分のすぐ裏側に配管（ガス、水、空気）または配線（電気ケーブル、ワイヤー）がないことを確認してください。
- 弊社では、取り付け/修理の際には必要に応じて防護服、保護めがね、保護材料の使用を推奨しています。
- 本製品は、水道本管に接続するように設計されています。

食品を扱う空間での使用

食品を扱う特別な空間においては、特別な取り付けが必要となります。特別な取り付けとは、モーターバケットとホースを清掃可能なシンク下のスペースに完全に収納するか、

モーターバケットを壁の裏側に取り付けることをいいます。更に、本製品は、箱などに入っていないむき出しの食品や、食品が接触するテーブルなどの表面から、少なくとも2.5メートル離れた場所に取り付ける必要があります。

取り付けの前に、推奨シンクガイド <https://www.dyson.co.jp/> をご確認ください。

図 B

シンク仕様ガイドライン

弊社のエンジニアが特別に設計したテスト方法を用いて、本製品と適合性が高いシンクを確認しました。推奨シンクについては、推奨シンクガイド <https://www.dyson.co.jp/> を参照してください。

弊社は、光沢仕上げ素材（例：クロム素材）ではなく、陶器やくもり止め加工の金属素材のシンクの取り付けを推奨しています。シンクの最小寸法については、図Bを参照してください。

図 C/D/E

本製品の取り付け

図Cの通り、本製品の蛇口の中央からシンクの最上部までは100mm以上のスペースが必要です。

図Dの通り、本製品の蛇口の中央が壁から290mm以上離れるように取り付けして下さい。複数の本製品を横並びに取り付ける場合には、隣り合う製品の主軸の中心が580mm以上離れるように取り付けください。これは、それぞれのユーザーの間に適切なスペースを設けるためです。

図Eの通り、赤外線センサーが、排水口など光を反射する面の真上にこないように取り付けてください。

図 F

ソープディスペンサーの位置

快適にお使い頂くために、ジェルタイプの手洗い石鹸の使用を推奨しています。

本製品は、左右赤外線センサーが吹き出し口に沿って反応する仕組みになっています。意図しない作動を防ぐため、センサーの反応範囲内にソープディスペンサーを取り付けないように注意してください。

ソープディスペンサーは、本製品から60mm以上離れたところに取り付けてください。

本製品の上部に取り付ける場合にもセンサーの干渉を防ぐため60mm以上の距離をあけてください。

ソープディスペンサーに向かって対角線上に斜めに手を伸ばす場合も考慮にいれ、センサーの反応範囲にご注意ください。

図 G/H

排水

高圧な風と水の吹き出し口が近距離に位置しているため、まれに水や泡がシンクの外に飛び散ることがあります。これを防止するため、推奨シンクガイド <https://www.dyson.co.jp/> に沿ったシンクとの組み合わせを推奨しています。

シンク底の形

図Gの通り、底が平らなシンクは水の流れが悪く水はねの原因になります。水はねを改善するため、特に排水口の周辺が平らなシンクは避け、排水口の直径が60mm以上あるものを推奨しています。

図Hの通り、排水口に向かって6°以上の角度がついたシンクは排水が早く、水はねを防止することができます。

図 I/J/K

底面から、背面と手前の壁の角度

底面から、背面と手前の壁の角度も重要です。底面と背面の角度は90°に近く、図Iのような直角に近い方が望ましいです。図Jのような緩やかなカーブは水はねの原因になる可能性があります。そのため、図Kのように背面と手前からスロープになっているシンクは、避けてください。

図 L

排水口

排水口はできるだけ開口部の大きなものを採用してください。また、グリッドや網のついたタイプは水や泡のはけを悪くするため使用しないでください。排水口キャップは使用しないでください。

図 M

水温調節

冷水と温水を混ぜて使用したい場合にはミキサーを設置する必要があります。

冷水の給水管にのみつなぐ場合には、電気温水器の取り付けが必要となります。

本製品への給水系統には、販売国の規制に従って温度調節器を取り付ける必要があります。

- A= プレンダー・バルブ
- B= 温水/冷水給水
- C= 設定温度出水
- D= 遮断弁
- E= ヒーター
- F= 冷水給水

備考

本製品の取り付け

本製品を壁に固定する際にはシーリング材を使用しないでください。

電源、混合給水管、排水管に接続できることを確認してください。取り付け前や保守点検時の供給遮断を可能にするため、電源および配水管を正しく遮断できるようにしてください。

電力系統

入力電圧/周波数: 製品ラベルを参照してください。

スイッチ・ヒューズスパーあるいは分電盤で適切に絶縁。

電流: 6.6 A

ケーブル仕様: デュアルコア PVC + シングルコアPVC (アース線)

製品の取り付けや修理を行う場合、販売国の電気関係法令を厳守してください。
定格電力: 製品ラベルを参照してください。
動作温度範囲: 0°C-40°C
待機時電力消費: 0.5 W未満
最大高度: 2,000 m

配水・排水系統

水流量: 4 l/分、通常のエアレーション装置設置。1.9 l/m 同梱の低水量エアレーション装置使用時。

最低水圧: 1-8 バール。取り付けには遮断弁をご使用ください。

レジオネラ菌繁殖のリスクを低減させるため、熱水の戻り位置はできるだけ混合水栓に近づけてください。

自動洗浄

本製品には自動洗浄機能が搭載されており、最後に製品を使用してから24時間後に60秒間自動洗浄のため作動します。自動洗浄を行うことで、本体の内部で止水域や雑菌が繁殖することを抑制できます。

本製品が、排水口と接続されたシンクに取り付けられていることを確認してください。

給水系統の衛生および微生物

一部の国では、微生物の発生を最小限に抑えるために給水設備(本製品にも使用されています)の定期的な清掃の管理規則あるいはガイドラインが施行されています。このような規制への適合のため、本製品は最大95°Cの温水と0.45%次亜塩素酸ナトリウムを用いた内部清掃に耐えられるようにテストし、設計されています。

給水衛生および微生物繁殖防止のための清掃管理は、各販売国の規制および水道法を参照してください。

本製品の内部清掃を行なう際は、熱湯または化学薬品を使用する場合、安全上の注意事項に留意してください。弊社はこの清掃によって生じるいかなる負傷にも責任を負いません。

耐久性試験

本製品は、度重なる厳しいテストにより、公共の場所でおこりうる強い衝撃に耐えられるよう、厳しい耐久性試験を実施しています。

取り付け手順

図 1

位置

図1の通り、シンクの中心に蛇口を取り付けてください。

必要に応じて被削面に35mmの直径の穴を開けてください。

図 2

本製品の取り付け

図2aの通り、本製品のヘッドに1mmのゴムパッキンをスライドさせてください。

作業台の穴から本製品のヘッド、装着した水管、連絡ケーブルを通します。本製品の所で1mmのゴムパッキンが均等で平らに固定されていることを確認してください。

本製品がシンクの上で正しい位置にあることを確認してください。

本製品のヘッドの下から3.5mmのゴムパッキンをスライドさせてください。

ワッシャーを本製品のヘッドまでスライドさせます。真ちゅうロックナットにねじを挿入して、軽く締めて固定してください。

真ちゅうロックナットを本製品のヘッドに取り付け、図2bの通り、ワッシャーと真ちゅうロックナットの間隙が5mm以下になるようにして、ネジを締めてください。

A= 1mmゴムパッキン
B= 本製品のヘッド
C= 水管
D= センサーケーブル

E= 3.5mmのゴムパッキン
F= ワッシャー
G= 真ちゅうロックナット
H= 2 xねじ

図 3

ホースの取り付けの準備

図3aの通り、グレーのホースに水管とセンサーケーブルを通します。

図3bの通り、左側の出口穴から水管をホースダクトに通します。

図3cの通り、ペンチを使用して白い実線が見えるまで水管をゆっくりと引っ張ります。

空気が漏れないように水管のグロメットがホースダクトにしっかりと取り付けられていることを図3cの通り確認し、右側の出口穴からセンサーケーブルを通します。

図3cの通り、ペンチは電気接続を損傷させる可能性があるため、絶対に使用しないでください。図3dの通り、センサーケーブルのグロメットがホースダクトにぴったりはまり、気密性が保たれていることを確認します。接続金具を支えるため、シリコングリースを使用することもできます。

図3eの通り、手で締められるだけ締め、上側のホースカラーを本製品のヘッドに取り付けます。

A= グレーのホース
B= 水管
C= センサーケーブル

図 4

バックプレートの取り付け準備

図4aの通り、底部の赤いリリースキャッチを押しながらモーターバケットを持ち上げ、バックプレートから取り外します。モーターバケットは使うときまで安全な場所に置いておきます。

図4b/4cの通り、T15トルクスドライバーを使い、水道管のカバーと電気カバーをバックプレートから取り外します。モーターバケットと固定具を置き、必要な分の安定性を確保します。

図 5

バックプレートとホースの取り付け

図5aの通り、バックプレートの位置は、垂直または左右に90°回転のいずれかから選択できます。バックプレートを固定する際に、床から100mm以上のスペースがあることを確認してください。

ホースを簡単に取り付けられる位置にバックプレートを調整します。

図5bの通り、ホースを下にした状態で、モーターを上下逆さまに取り付けしないで下さい。

電源線挿入

壁にバックプレートの場所の目印をつけます。電源線は、背面の挿入口を経由して底部または壁から本製品の背面に直接挿入できます。

底部から電源線を挿入する場合のみ、ペンチを使用してバックプレートの底部のマークに沿って、切り取ってください。図5cの通り、切り取った部分のエッジが丸くなるようにやすりをかけます。

給水系統

給水系統はバックプレートの左側にあります。図5dの通り、給水系統はバックプレート内で回転させることはできません。

図 6

バックプレートの固定

壁から電源線を直接バックプレートに挿入する場合は、バックプレートを壁に固定する前に電源線を引っ張り出してください。

図6の通り、適切な固定器具を使ってバックプレートを壁に固定します。

皿ねじは使用しないでください。

図 7

センサーケーブルの接続

グレーのホースをバックプレートに留めます。

図7の通り、ホース内のセンサーケーブルをバックプレート内のコネクタに接続します。コネクタの向きを確認します(2つのタブの位置がぴったりそろっているようにしてください)。センサーケーブルがバックプレートに正しく通っていることを確認します。

図 8

水管の接続

図8aの通り、水管を白い点線まで切り取ります。

図8bの通り、ホースクリップ（同梱品）を水管に通します。
プラスねじ2本を外し、電磁弁をバックプレートから取り外します。

図8cの通り、水管を電磁弁に接続します。

図8dの通り、電磁弁をバックプレートに留め、プラスねじ2本を使用して固定します。
ホースクリップを締め、また電磁弁のケーブルが保持経路に正しく配置されていることを確認します。

図 9

電気系統の接続

電源線を電源供給部に接続できるように、接続部材に通します。端子ブロックまで電源線が正しく配線できるよう、電源線の長さが十分であることを確認してください。
バックプレートに電源線を通し、接続部材を締めてください。

適切な長さの電源線の外被をはがし、図9の通り、端子ブロックに電源線を固定してください。作業の前に電源線の正確な位置を確認してください。

図 10

電子部品カバーを再度組み立てる

ワイヤーを挟まないように気をつけながら電子部品カバーを置き、6個の固定器具を使って固定します。

図 11

混合給水管の接続

バックプレートに接続する前に、水道配管内のゴミや銅くずなどが完全に洗い流されていることを確認してください。確認が不十分な場合、電磁弁が破損し、弁がしっかり閉まらず、水が漏れる可能性があります。
混合給水管を電磁弁の接続部に接続し、水道を開栓します。
混合給水管と電磁弁の接続部で漏れがないことを確認します。

図 12

本製品をオンにする

本製品の電源をオンにします。

キャリブレーションサイクル：取り付けると、本製品は30秒間の調整サイクルに入ります。

図12aの通り、蛇口のセンサーの下に手を置き、水の流れを動作させます。

漏れの確認は、図11の通りに行ってください。

図12bの通り、2個の固定器具を使って配管カバーをバックプレートに固定します。

図 13

モーターバケットの取り付け

モーターをバックプレート側の上部にはめこみます。図13aの通り、定位置でカチッと音がするまで下方向にゆっくり動かします。しっかりと押し入れます。

オプション：モーターバケットの意図しない脱落を防ぐため、赤色のリリースボタンを固定するねじが同梱されています。

本製品が正しい動作をするかテストします。

図13bの通り、フィルターを取り外すには、ドライバーをゆっくりと回して、フィルターのタブを解放します。

図13cの通り、同梱品の安全ねじを使ってモーターバケットをバックプレートに固定します。

図13dの通り、定位置でカチッと音がするまで下方向にゆっくり動かします。

取り付けテスト トラブルシューティング

本製品が正しく動作するかテストします。

- 中央の蛇口の下に手をかざすと、その位置から手を離すまで、水は自動的に流れます。
- 送風部分は、中央蛇口の左右いずれかのバー付近に手をかざすと起動し、強力な風で手から水を削ぎ落とします。
- バー付近で手をゆっくりと前後に動かします。手をひっくり返し、送風が手の平と手の甲にかかるようにします。

本製品が起動しない。

- ヒューズ/ブレーカーが動作しており、電源供給と水道供給が接続されていることを確認してください。
- 洗浄用キャップが取り外され、センサーに汚れや遮蔽物がないことを確認してください。
- 本製品をオフにしてから再度オンにします。

本製品のオン/オフが不規則に切り替わる。

- 本製品をオフにしてから再度オンにします。
- シンクに排水口キャップがないか確認し、排水口キャップがある場合は取り外してください。
- センサーに汚れがないことを確認してください。
- センサーケーブルが蛇口からしっかりと接続されていることを確認してください。

本製品が使用中時々オフになる。

- 本製品をオフにしてから再度オンにします。
- センサーに汚れがないことを確認してください。
- 吸気口に汚れやホコリがないことを確認してください。吸気口にホコリが詰まっている場合は、取り除いてください。
- 吸気口に異物が詰まっておらず、十分な隙間があることを確認してください。

乾燥にかかる時間が延びた。

- 吸気口にホコリが詰まっていないか点検し、取り除いてください。
- フィルターを点検し、必要なら交換してください。
- ホースが本製品のヘッドの底部にしっかりと装着され、漏れが見当たらないことを確認してください。

送風温度が通常より高い。

- 吸気口にホコリが詰まっていないか点検し、取り除いてください。
- フィルターを点検し、必要なら交換してください。
- ホースが本製品のヘッドの底部にしっかりと装着され、漏れが見当たらないことを確認してください。

送風が止まらない。

- シンクの周りに障害物がないか確認し、ある場合は取り除いてください。
- センサーに汚れや遮蔽物がないことを確認してください。
- フィルターを点検し、必要なら交換してください。
- ホースが蛇口の底部にしっかりと装着され、漏れが見当たらないことを確認してください。

送風されない。

- 本製品をオフにしてから再度オンにします。
- ヒューズ/ブレーカーが動作しており、電源が接続されていることを確認してください。
- センサーに汚れがないことを確認してください。
- エアホースが本製品のヘッドの底部にしっかりと装着され、漏れが見当たらないことを確認してください。
- センサーケーブルが本製品のヘッドからしっかりと接続されていることを確認してください。

蛇口から水が流出し続ける。

- センサーに汚れや遮蔽物がないことを確認してください。

蛇口から水が出ていない。

- 電源供給および水道供給がオンになっており、遮断弁が開いていることを確認してください。
- 通気装置にゴミがないことを確認し、必要に応じて除去/掃除/交換してください。

蛇口から極端な温度の温水や冷水が出る。

- 混合弁が所定の温度に設定されていることを確認してください。
- さらに詳しいサポートや情報をご希望の場合、<ダイソンお客様相談室>、または弊社の公式サイト <https://www.dyson.co.jp/> までご相談ください。

KR 목차

주요 안전 수칙 173 

박스 내부 구성품 174

설치 전 확인사항 175

설치

설치 순서 177

설치 테스트 179

문제 해결 179

주요 안전 수칙

이 설명서를 읽고 보관해 두십시오.

본 장치를 설치 또는 사용하기 전에 이 설치 설명서와 사용 설명서 표시된 모든 안내 및 주의사항을 읽어주십시오.

경고

모든 설치 및 수리 (배관 및 전기 관련) 작업은 현지 규정이나 법규에 따라 전문가 또는 다이슨 서비스 엔지니어가 수행해야 합니다.

경고

감전 위험!

케이스를 제거하거나 제품 내부 구성품을 부적절하게 취급한 경우 장치 내부에 손상이 발생하거나 영구적으로 장치 사용이 불가능 할 수 있습니다.

화재, 감전 또는 부상 위험을 방지하려면 이 장치를 접지시켜야 합니다. 다음을 따르십시오.

설치 작업을 시작하기에 앞서 다음을 확인해 주십시오.

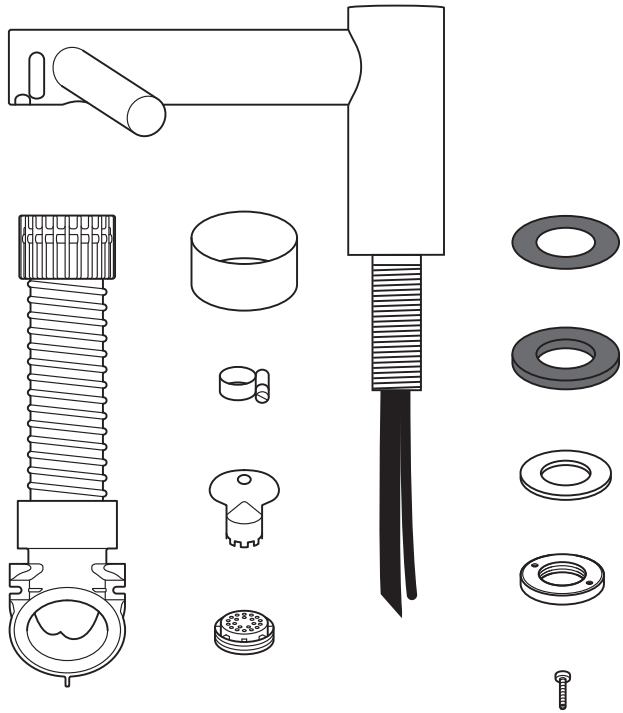
- 전기 공급이 명판에 표시된 것과 일치하는지 확인하십시오.
- 현지 전기 배선 규정에 따라 전체 음극 연결 해제 수단을 고정 배선에 실시해야 합니다.
- 적합한 도관과 전기 부속품을 사용하여 전기 공급장치를 연결합니다. 도관과 전선이 백플레이트와 단자대에 연결할 수 있을 정도로 충분히 긴지 확인합니다. 금속 도관은 측면에 적합하지 않습니다.


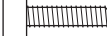
경고

구성품의 포장을 열 때 주의하십시오. 베이거나 상처를 입을 수 있는 날카로운 모서리/면이 있을 수 있습니다.

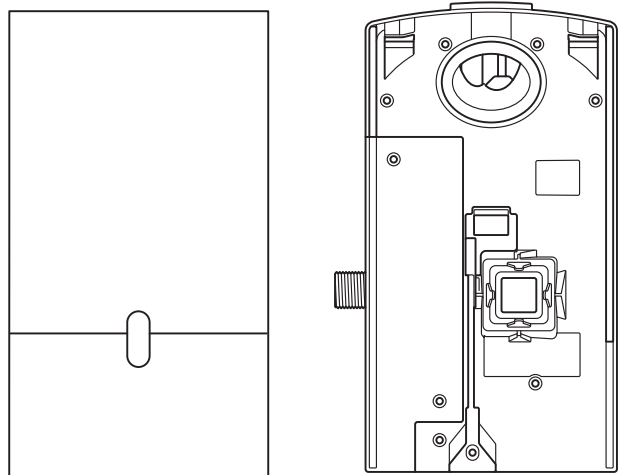
청소 시 또는 제품 가까이에서 물 분사 장비를 사용하지 마십시오.

박스 내부 구성품



x2  

x1  



필요한 도구:

소형 십자 드라이버

7mm 일자 드라이버

2.5mm 일자 드라이버

T15 별 드라이버

줄자 및 연필

핸드 드릴

적합한 드릴 비트

펜치 / 와이어 스트리퍼

칼

조절식 스페너

설치 전 확인사항

그림 A

설치 전 준비

다이슨 Airblade Wash+Dry 핸드 드라이어는 모터 장치가 벽면에 장착되고 세면대 아래에 있도록 설계되었습니다 (그림 A(i)).

인라인 필터는 사용자 보중에 영향을 줄 수 있는 손상을 방지하도록 장착하는 것이 좋습니다.

- 설치 및 수리를 위해 충분한 여유 공간을 확보합니다. 그림 A(ii)를 참조하십시오.
- 이 장치는 건조한 실내에서만 사용하도록 설계되었습니다.
- 관련 설치 지침에 대해서는 지역 및 국가 접근성 규정 및 법규를 참조하십시오. 적합성 및 규정 준수는 설치하는 사람의 책임입니다. 장치가 모든 건축 법규 및 규정을 준수하여 설치되는지 확인하십시오.
- 현지 전기 배선 규정에 따라 전체 음극 연결 해제 수단을 고정 배선에 실시해야 합니다.
- 설치나 수리 전에는 전원 및 물 공급을 차단하십시오.
- 드릴/설치 작업을 할 부분 뒤쪽에 파이프(가스, 수도, 공기) 또는 전기 케이블, 전선 또는 도관 작업이 되어 있는지 확인하십시오.
- 다이슨에서는 설치/수리를 수행하는 경우 필요한 보호복, 보안경 및 장비 착용 권장하고 있습니다.
- 본 기기는 수도관에 영구적으로 연결하여 사용해야 합니다.

식품 조리 공간에서의 사용

식품조리환경에서는 모터 버킷과 호스를 청소가 가능한 하우징에 완전히 밀봉하거나 모터버킷을 벽의 반대편 혹은 하단 청소를 위해 적절한 간격을 유지합니다. (해당하는 경우) 또한, 장치가 아무것도 덮여 있지 않은 음식이나 음식 접촉면으로부터 최소 2.5m 이상 떨어져 있어야 하는 등의 특별한 설치가 요구 됩니다.

설치하기 전에 www.dyson.com의 권장 가이드를 참조하십시오.

그림 B

세면대 사양 지침

다이슨 엔지니어들은 특수하게 설계된 시험 방법을 통해 다양한 세면대와 다이슨 Airblade Wash+Dry 핸드 드라이어 간의 호환성을 시험했습니다. 권장 세면대의 경우 www.dyson.com에서 지침을 확인하십시오.

도기 또는 브러시드 메탈 세면대가 이상적입니다. 반사되는 크롬 등과 같은 고풍택 표면의 세면대에는 사용하지 마십시오. 세면대 최소 크기는 그림 B를 참조하십시오.

그림 C/D/E

Dyson Airblade 설치

세면대 상단에서 Tap 중심까지 최소 100mm ~ 최대 155mm까지 떨어져야 합니다(그림 C).

측면 벽에서 Tap 까지 290mm 이상 떨어져야 합니다. 여러 개의 Tap을 나란히 설치할 경우에는 Tap 중심 간 거리가 각각 580mm 이상 떨어져 있어야 합니다. 그래야 모터

버킷을 장착할 공간이 확보되며 사용자들도 여유있게 사용할 수 있습니다(그림 D).

세면대에서 아래를 향하는 물 센서가 배수구와 같이 반사 표면 위에 있지 않아야 합니다(그림 E).

그림 F

비누와 비누 용기 위치

다이슨은 최상의 사용자 환경을 위해 젤 비누를 권장합니다.

바람의 활성화를 위한 적외선 감지 구역은 각 Tap의 양 측면을 따라 확장됩니다. 우발적으로 활성화되는 경우를 방지하기 위해서는 사용자의 손이 비누 용기를 향해 나아가는 경로를 고려해야 합니다.

비누 용기는 Tap의 너비에서 60mm 바깥쪽에 위치해야 사용자가 Tap의 양 측면을 피해 손을 뺄 수 있습니다.

Tap의 양 측면으로부터 최소 60mm 위에 위치해야 센서가 작동하지 않습니다.

사용자가 대각선으로 비누에 손을 뺄 수 있으므로 센서 구역을 통과하지 않도록 이 경로를 고려해야 합니다.

그림 G/H

물 배수

빠른 공기 속도와 인접한 물로 인해 물과 비누가 세면대 바깥으로 흩어질 수 있습니다. 이런 경우를 줄이려면 아래의 다음 지침을 따르는 것이 좋습니다.

베이스 형태

베이스가 평평하면 물이 잘 배수되지 않아 물이 높게 될 수 있습니다. 배수 성능을 개선하려면 배수구 주변 최소반경 60mm 이상인 평평한 바닥의 세면대를 사용하지 마십시오(그림 G).

세면대 배수구 가장자리에서 최소 6°의 경사면이 형성되어야 배수가 잘 되고 물이 튈 가능성도 낮아집니다(최소 반경 60mm)(그림 H).

그림 I/J/K

베이스에서 후면 및 전면 벽으로 이어지는 모습

베이스에서 후면 및 전면 벽으로 이어지는 모양도 고려해야 합니다. 후면 벽은 거의 90°여야 하며 그림 I와 같이 최대한 예리한 반경을 이루어야 합니다. 곡선은 물이 튀는 양이 많아지지만(그림 J) 그림 K같은 경사진 후면 및 전면 벽 이어짐은 피해야 합니다.

그림 L

배수구

가장 개방적인 구멍의 배수구를 추천하며, 그릴 또는 천공 타입의 배수구는 비눗물(비누 거품)의 배수를 방해하기 때문에 피해야 합니다. 세면대 배수구 안의 마개를 사용하지 않습니다.

그림 M

수온 조절

냉온수 모두 사용할 경우에는 혼합 밸브를 설치해야 합니다. 냉수만 사용할 경우 히터를 설치해야 합니다. 이 제품에는 지역 규정에 따라 온도 제어 장치를 장착하여 물을 공급해야 합니다.

- A= 블렌더 밸브
- B= 냉온수 공급
- C= 출수(원하는 온도)
- D= 분리 밸브
- E= 히터
- F= 냉수 입수

추가 정보

설치

벽면에 장치를 고정할 때 밀폐제를 사용하지 마십시오.

전기, 혼합 급수 장치 및 배수관 연결을 제대로 해야 작동될 수 있습니다. 설치하기 전이나 수리를 받을 때는 공급을 차단하기 위해 전원 및 급수 장치가 완전히 분리되어 있어야 합니다.

전기

입력 전압/주파수: 명판을 참조하십시오.

전용 스위치 퓨즈 스페어 또는 RCD에 의해 분리됩니다.

전류 6.6A.

케이블 사양: 이중 코어 PVC + 단일 코어 PVC(접지)

제품 설치 또는 수리 시에는 반드시 현지 전기 규정을 준수해야 합니다.

정격 전원: 명판을 참조하십시오.

작동 온도 범위: 0° ~ 40° C.

대기전력 소모량:

0.5W 미만.

최대 고도: 2,000미터.

물 사용

물 유량: 정상 설치된 통기 장치: 4L/min
함께 제공되는 저유량 통기 장치 사용 시 - 1.9L/m

필요한 수압: 1~8bar. 수리 시 1/2" BSP 분리 밸브가 필요합니다.

레지오넬라균 증식 위험을 줄이려면 이차 온수 환수관을 가능한 한 혼합 밸브에 가깝게 해야 합니다.

자동 워터 플러시

이 장치에는 마지막 사용 24시간 후에 60 초 동안 작동하는 고정식 자동 워터 플러시 장치가 장착되어 있습니다. 이를 통해 제품 내부에 물이 고이는 현상과 박테리아 증식을 방지합니다.

항상 장치가 가동하는 세면대에 설치되어 있는지, 확인하십시오.

급수 청결도 및 생물학적 성장

국가에 따라 다이슨 Airblade Wash+Dry 핸드 드라이어에 사용되는 것과 같은 수온 조절식 급수 시스템을 의무화하는 지침 또는 규정이 시행될 수 있으며 이 경우 생물학적 성장을 최소화하기 위해 정기적인 청소가 필요 됩니다. 귀하가 이러한 규정을 충족하도록 하기 위해, 다이슨 Airblade Wash+Dry 핸드 드라이어의 내부는 최대 95° C의 뜨거운 물과 0.45% 농도의 차아염소산나트륨으로 내부를 청소할 수 있도록 설계되었으며 관련 시험을 거쳤습니다.

해당 국가의 급수 청결도 및 생물학적 성장 억제 관련 청소 방법은 구체적인 (시장) 규정 및 급수 시스템 권장사항을 참고하십시오.

다이슨 Airblade Wash+Dry 핸드 드라이어의 내부를 청소할 경우에는 고온수 또는 화학물질 사용 관련 안전 권장사항을 참조하시기 바랍니다. 다이슨은 청소 과정에서 발생하는 부상에 대해서는 일체 책임을 지지 않습니다.

부하 테스트

다이슨 Airblade Wash+Dry 핸드 드라이어는 상용 및 공공화장 환경에서 일반적으로 발생하는 상당한 하중과 충격을 견딜 수 있도록 엄격한 부하 테스트를 거쳤습니다.

설치 순서

그림 1

배치
수도꼭지를 세면대의 중심 위에 배치합니다 (그림. 1).

필요한 경우 작업면에 35mm 지름의 구멍을 깎아냅니다.

그림 2

수도꼭지 설치
1mm 고무 씬을 수도꼭지 스템으로 밀어 넣습니다(그림 2a).

수도꼭지 스템 및 연결된 수도관과 통신 케이블을 작업면의 구멍으로 통과시켜 넣습니다. 1mm 고무 씬이 수도꼭지 아래

고르고 평평하게 고정되었는지 확인합니다.

수도꼭지가 싱크대 위에 올바른 위치에 있는지 확인합니다.

3.5mm 고무 씬을 수도꼭지 스템 위로 밀어 넣습니다.

나사를 황동 잠금 링에 끼우고 가볍게 조여 제 위치에 고정시킵니다.

금속 와셔를 수도꼭지 스템 위로 밀어넣습니다.

황동 잠금 너트를 수도꼭지 스템 위로 조여서, 금속 와셔와 황동 잠금 너트 사이에 5mm 이하의 간격을 남겨둡니다.

손으로 꼭 조여질 때 까지 황동 잠금 너트를 이용하여 나사를 금속 와셔에 조입니다.

- A= 1mm 고무 씬
- B= 수도꼭지 스템
- C= 수도관
- D= 센서 케이블
- E= 3.5mm 씬
- F= 금속 와셔
- G= 황동 잠금 너트
- H= 나사 2개

그림 3

호스 설치
회색 호스를 수도관과 센서 케이블 위로 밀어 넣습니다(그림 3a).

수도관을 호스 덕트 안의 왼쪽 출구 구멍으로 통과시켜 넣습니다(그림 3b).

펜치를 사용하여 회색 실선이 있는 곳까지 수도관을 부드럽게 당깁니다(그림 3c).

튜브의 그로멧이 호스 도관에 빈틈없이 끼워져 기밀 상태인지 확인하십시오 (그림 3b).

센서 케이블을 오른쪽 출구 구멍으로 통과시켜 넣으면서 살짝 당겨서 빼냅니다 (그림 3b). 전기 연결부가 손상될 수 있으므로, 펜치를 사용하지 마십시오(그림 3c). 케이블의 그로멧이 호스 도관에 빈틈없이 끼워져 밀폐되었는지 확인하십시오 (그림 3d). 실리콘 그리스를 사용하여 원활하게 장착되게 할 수 있습니다.

상부 호스 이음고리를 수도꼭지 스템에 나사로 끼워 손으로 조입니다 (그림 3e).

- A= 회색 호스
- B= 수도관
- C= 센서 케이블

그림 4

백플레이트 설치 준비
백플레이트에서 모터 버킷을 제거하려면 바닥의 빨간색 릴리스 캐치를 눌러 위로 올립니다(그림 4a). 모터 버킷은 필요할 때까지 안전하게 보관합니다.

별 T15 십자드라이버를 사용하여 백플레이트에서 전기 장치 커버와 수도관 커버를 제거합니다(그림 4b 및 4c). 필요할 때까지 고정장치와 함께 안전하게 보관합니다.

그림 5

백플레이트 및 호스 설치
백플레이트는 수직으로 세우거나 왼쪽 또는 오른쪽으로 90° 눕히는 세 가지 방법 중 하나로 설치할 수 있습니다. 바닥으로부터 간격은 최소한 100mm가 되어야 합니다(그림 5a 참조).

호스를 쉽게 부착할 수 있도록 백플레이트를 배치합니다.

호스가 아래로 향하도록 모터를 뒤집어 놓거나, 수도꼭지 위에 놓지 마십시오(그림 5b 참조).

백플레이트의 위치를 벽면에 표시합니다.

케이블 인입

케이블은 뒤쪽 케이블 인입점을 통해 바닥 또는 벽에서 직접 장치의 뒷면으로 빼낼 수 있습니다. 시작하기 전에 방향을 결정하십시오.

베이스를 통해 케이블을 넣을 시에는 플펜치로 조심스럽게 백플레이트 하단에 있는 표시된 브레이크아웃 패널을 분리합니다. 배출구 단면의 모서리를 매끄럽게 줄질합니다(그림 5c).

입수

수도 연결부는 백플레이트의 왼쪽에 만들어져 있습니다. 백플레이트 내에서는 수도 연결부를 회전시킬 수 없습니다 (그림 5d).

그림 6

백플레이트 설치
케이블을 벽에서 직접 백플레이트로 인입할 경우 백플레이트를 벽면에 고정하기 전에 전기 케이블을 충분히 당기십시오.

해당하는 고정물을 사용하여 백플레이트를 벽에 고정합니다(그림 6).

접시머리 나사를 사용하지 마십시오.

그림 7

센서 케이블 연결
회색 호스를 백플레이트에 클립으로 고정합니다.

그림 7과 같이 백플레이트의 커넥터에 호스의 센서 케이블을 꽂습니다. 커넥터의 방향을 확인하십시오. 수도꼭지 2개가 정렬되어 있어야 합니다. 케이블이 백플레이트에 올바르게 배선되었는지 확인하십시오.

그림 8

수도관 연결
그림 8a와 같이 회색 점선의 크기에 맞게 수도관을 자릅니다.

호스 클립(제공)을 수도관에 밀어 끼웁니다(그림 8b).

2개의 Phillips 나사를 제거하고 백플레이트에서 솔레노이드를 푸십시오(그림 8b).

물 호스를 솔레노이드에 부착합니다(그림 8c).

솔레노이드를 다시 백플레이트에 고정하고 2개의 나사를 조입니다(그림 8d).

호스 클립을 조이고 솔레노이드 케이블을 지지 채널에 올바르게 위치시킵니다.

그림 9

전원 공급 연결

승인된 연결 또는 경질 도관 및 부속품을 사용하여 전기 공급장치를 백플레이트에 연결합니다. 백플레이트에 장착된 단자대에 연결될 정도로 전원 케이블 길이가 충분한지 확인합니다.

케이블을 백플레이트에 연결하고 케이블 글랜드를 조입니다.

케이블을 적절한 길이로 벗긴 후 해당 단자대에 활선과 중성선을 고정합니다(그림 9). 진행하기 앞서 케이블의 위치가 올바른지 확인하십시오.

그림 10

전기커버 재 조립

제공된 6개의 고정물을 사용하여 전기장치 커버를 고정시키되 걸린 전선이 없는지 확인합니다.

그림 11

급수 혼합 장치

참고: 백플레이트에 연결하기 전에 상수도의 이물질, 구리 조각 등이 완전히 세척되었는지 확인하십시오. 그렇지 않으면 솔레노이드 밸브에 손상이 갈 수도 있습니다.

절연된 급수 혼합 장치를 백플레이트에 연결하고 물을 트십시오.

주 급수장치 입구와 수도꼭지까지의 수도관 연결부에 새는 곳이 있는지 검사합니다. 또한 솔레노이드 연결부에 새는 곳이 있는지 확인합니다.

그림 12

전원 켜기

장비의 전원 스위치를 켭니다.

설정 주의: 설치가 완료된 Tap은 30초간 설정을 위한 회전이 진행됩니다.

Tap의 센서 아래 손을 대고 물 공급을 활성화합니다(그림 12a).

새는 곳이 있는지 확인합니다(그림 11). 제공된 두 개의 고정물을 사용하여 수도관

덮개를 백플레이트에 고정합니다(그림 12b).

그림 13

모터 버킷 조립

전기 장치 커버의 상단에 모터를 걸어 놓습니다. 그림과 같이 찰칵 소리가 나며 제 위치에 고정될 때까지 아래로 흔들어 돌립니다. 고정될 때까지 밀어 넣습니다(그림 13a).

옵션: 나사는 빨간색 해제 버튼을 고정하고 모터 버킷이 의도치 않게 벗겨지는 것을 방지하기 위해 제공됩니다.

장치가 올바르게 작동하는지 시험합니다.

모터 버킷을 백플레이트에 고정(선택사항).

필터를 제거하려면 스크루 드라이버를 사용하여 필터의 탭을 부드럽게 푼다(그림 13b).

제공된 고정 나사를 사용하여 모터 버킷을 백플레이트에 고정합니다(그림 13c).

찰칵 소리가 나며 제 위치에 고정될 때까지 필터를 다시 연결합니다(그림 13d).

시험 설치

문제 해결

핸드 드라이어가 정상 작동하는지 확인합니다.

- 양 손 바닥을 Tap의 중앙부에 두면 손이 위치하는 동안 자동적으로 물이 흐릅니다.
- 핸드드라이어를 작동하기 위해 Tap 중심으로 양쪽 토출구에 손을 두면 물을 떨어 내기 위한 바람이 생성됩니다.
- 바람 사이로 손을 앞뒤로 천천히 움직이고 손을 뒤집어 손바닥과 손등이 바람에 닿도록 합니다.

핸드 드라이어가 작동하지 않습니다.

- 퓨즈/회로 차단기가 작동 중인지 전원과 급수가 연결된 상태인지 확인합니다.
- 청소 캡이 제거되고 센서를 막는 물체가 없고 깨끗한지 확인하십시오.
- 장치를 켜다가 켜집니다.

핸드 드라이어가 비정상적으로 켜지거나 꺼집니다.

- 장치를 켜다가 켜집니다.
- 세면대에 마개가 없도록 하고 혹시 있을 경우 제거합니다.
- 센서를 청결한 상태로 유지합니다.
- 센서 케이블이 Tap에 확실하게 연결되었는지 확인합니다.

핸드 드라이어가 사용 중에 가끔씩 작동을 멈춥니다.

- 장치를 켜다가 켜집니다.
- 센서를 청결한 상태로 유지합니다.
- 공기 흡입구가 먼지로 막혀 있지 않은 지 확인하고 제거합니다.
- 공기 흡입구가 이물로 막히지 않아야 하며 충분한 간격을 두어야 합니다.

건조 시간이 증가하였습니다.

- 공기 흡입구를 먼지가 막고 있지 않는지 확인하고 제거합니다.
- 필터를 점검하고 필요한 경우 교환합니다.
- 바람 호스가 Tap 아랫부분에 단단히 연결되었는지, 새는 부분이 없는지 확인합니다.

바람이 평소보다 뜨겁습니다.

- 공기 흡입구를 먼지가 막고 있지 않는지 확인하고 제거합니다.
- 필터를 점검하고 필요한 경우 교환합니다.
- 바람 호스가 Tap 아랫부분에 단단히 연결되었는지, 새는 부분이 없는지 확인합니다.

바람이 계속 나옵니다.

- 싱크대의 이물질을 확인하고 필요한 경우 제거하십시오.
- 센서가 깨끗하고 이물질이 끼지 않았는지 확인합니다.
- 필터를 점검하고 필요한 경우 교환합니다.
- 바람 호스가 수도꼭지 아랫부분에 단단히 연결되었는지, 새는 부분이 없는지 확인합니다.

바람이 나오지 않습니다.

- 제품을 켜다가 켜집니다.
- 퓨즈/회로 차단기가 작동 중인지 전원이 연결된 상태인지 확인합니다.
- 센서를 청결한 상태로 유지합니다.
- 바람 호스가 Tap 아랫부분에 단단히 연결되었는지, 새는 부분이 없는지 확인합니다.
- 센서 케이블이 Tap에 확실하게 연결되었는지 확인합니다.

수도꼭지에서 물이 계속 나옵니다.

- 센서가 깨끗하고 이물질이 끼지 않았는지 확인합니다.

수도꼭지에서 물이 나오지 않습니다.

- 전기 및 수도공급이 잘 되고 있는지, 차단밸브가 열려 있는지 확인합니다.
- 통기장치에 이물질이 없는지 확인하고 필요한 경우 제거/청소/교환합니다.

수도꼭지에서 나오는 물이 너무 뜨겁거나 차갑습니다.

- 혼합 밸브가 적당한 온도로 설정되었는지 확인합니다.
- 추가 지원이나 정보는 다이슨 고객 서비스에 문의하거나 www.dyson.com에 온라인으로 문의하십시오.

MY

MY

Kandungan

Panduan Keselamatan Penting 181 

Di dalam kotak 182

Pemeriksaan awal pemasangan 183

Pemasangan

Langkah-langkah 185

Ujian pemasangan 187

Penyelesaian Masalah 187

PANDUAN KESELAMATAN PENTING

SILA BACA DAN SIMPAN PANDUAN INI

SEBELUM MEMASANG ATAU MENGGUNAKAN UNIT INI, BACA SEMUA ARAHAN DAN TANDA AMARAN YANG TERKANDUNG DALAM PANDUAN PEMASANGAN DAN MANUAL PEMILIK INI.

AMARAN

SEMUA KERJA PEMASANGAN DAN PEMBAIKAN (KERJA PERPAIPAN DAN ELEKTRIK) MESTI DIJALANKAN OLEH ORANG YANG BERTAULIAH ATAU JURUTERA SERVIS DYSON MENGIKUT KOD ATAU PERATURAN SEMASA TEMPATAN.

AMARAN

RISIKO RENJATAN ELEKTRIK!

SEKIRANYA PERUMAH DITANGGALKAN ATAU DIKENDALIKAN DENGAN SECARA TIDAK BETUL, KOMPONEN DALAMAN UNIT INI BOLEH MENYEBABKAN MUDARAT ATAU MENGALAMI KEROSAKAN KEKAL.

UNIT INI PERLU DIBUMIKAN BAGI MENGURANGKAN RISIKO KEBAKARAN, RENJATAN ELEKTRIK ATAU KECEDERAAN TERHADAP SESEORANG.

Sebelum memulakan sebarang kerja pemasangan, anda perlu memastikan perkara berikut.

- Periksa dan pastikan bekalan elektrik sepadan dengan yang ditunjukkan pada plat kadaran.
- Satu kaedah untuk pemotongan semua kutub mesti dimasukkan ke dalam pendawaian tetap, mengikut peraturan pendawaian tempatan.

- Sambungkan bekalan elektrik dengan menggunakan conduit dan peralatan elektrik yang sesuai. Pastikan conduit dan wayar cukup panjang untuk disambungkan ke plat belakang dan blok terminal. Conduit logam padu tidak sesuai untuk dimasukkan melalui sisi.

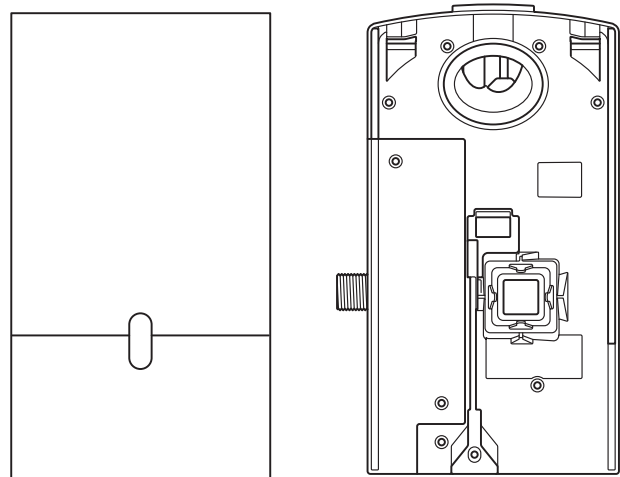
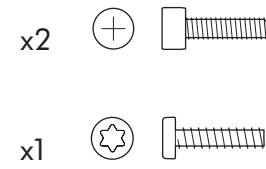
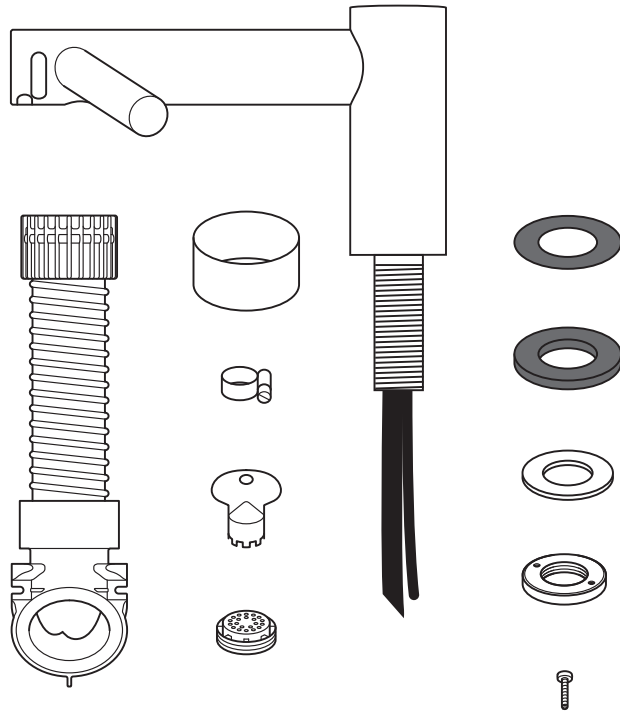
AMARAN

Berhati-hati apabila membuka bungkusan komponen. Mungkin ada bucu yang tajam/ sudut-sudut yang boleh mengakibatkan luka atau menyebabkan kecederaan.

JANGAN GUNA SEBARANG PERALATAN CUCIAN BERTEKANAN (PENCUCIAN JET) UNTUK MEMBERSIHKAN UNIT INI ATAU DI KAWASAN SEKITARNYA

Di Dalam kotak

MY



Alatan diperlukan:

- Pemutar skru kecil Phillips
- Pemutar skru bilah 7 mm
- Pemutar bilah 2.5mm
- Pemutar skru torx T15
- Pita ukur dan pensel
- Gerudi tangan
- Mata gerudi yang sesuai
- Playar/pelucut dawai
- Pisau
- Sepana boleh laras

Pemeriksaan awal pemasangan

Rajah A

Rancangan pemasangan awal

Pengering tangan Dyson Airblade Wash+Dry direka khas supaya unit motor dilekapkan pada dinding dan terletak di bawah besen Raj. A(i).

Pemasangan penuras sebaris adalah disyorkan untuk mencegah sebarang kerosakan yang boleh menjejaskan jaminan anda.

- Berikan ruang capaian yang secukupnya untuk pemasangan dan penservisan, lihat Raj. A(ii).
- Unit ini direka untuk lokasi dalaman yang kering sahaja.
- Rujuk kod dan peraturan kebolehcapaian setempat dan negara yang berkaitan untuk mengetahui garis panduan pemasangan. Keakuratan dan kepatuhan adalah tanggungjawab pemasangan. Pastikan unit dipasang mengikut semua kod dan/atau peraturan bangunan.
- Satu kaedah untuk pemotongan semua kutub mesti dimasukkan ke dalam pendawaian tetap mengikut peraturan pendawaian tempatan.
- Asingkan bekalan kuasa dan air sebelum kerja pemasangan atau servis.
- Pastikan tiada kerja perpaipan (gas, air, udara) atau kabel elektrik, wayar atau kerja salur terletak betul-betul di belakang kawasan penggerudian/pelekapan.

- Dyson menyarankan penggunaan pakaian pelindung, pelindung mata dan kelengkapan apabila menjalankan pemasangan/pembaikan mengikut keperluan.
- Peralatan ini bertujuan untuk disambungkan kepada paip air utama secara kekal.

Penggunaan di kawasan penyediaan makanan

Untuk persekitaran persediaan makanan, pemasangan khas diperlukan, yang mesti meliputi baldi motor dan hos sepenuhnya dalam perumah yang boleh dibersihkan atau memasang baldi motor pada permukaan belakang dinding, memberikan ruang lega yang mencukupi untuk pembersihan bahagian di bawah (jika berkenaan) dan memastikan unit berada sekurang-kurangnya 2.5 meter dari makanan yang tidak ditutup atau permukaan makanan yang tidak tertutup.

Rujuk panduan saranan sinki www.dyson.com sebelum memasang.

Rajah B

Garis panduan spesifikasi sinki

Dengan menggunakan kaedah ujian yang direka khas, jurutera Dyson telah menguji pelbagai sinki untuk menilai kesesuaian dengan pengering tangan Dyson Airblade Wash+Dry. Untuk sinki yang disyorkan, sila gunakan panduan kami di www.dyson.com

Sinki porselin atau logam berbusur adalah yang paling sesuai. Sinki dengan permukaan bergilap kilat perlu dielakkan, misalnya krom reflektif. Untuk dimensi minimum sinki, rujuk Rajah B.

Rajah C/D/E

Pemasangan pili

Perlu ada minimum 100mm dan maksimum 155mm daripada bahagian atas sinki ke bahagian tengah pili. Rajah. C.

Ruang minimum 290mm di antara tengah pili dan dinding tepi diperlukan. Apabila beberapa pili dipasang bersebelahan, bahagian tengah pili perlulah mempunyai jarak minimum 580mm. Ini membolehkan ruang yang mencukupi untuk melekap baldi motor, serta mewujudkan ruang yang mencukupi untuk pengguna. Rajah. D.

Jangan letak sensor air pili yang menghadap ke bawah di atas permukaan memantul, seperti lubang saliran. Rajah. E.

Rajah F

Sabun dan kedudukan dispenser sabun

Untuk pengalaman pengguna terbaik, Dyson mengesyorkan penggunaan sabun gel.

Zon penderiaan inframerah untuk pengaktifan udara merentang sepanjang setiap cabang pili. Untuk mengelakkan pengaktifan tidak sengaja, penting untuk mempertimbangkan laluan tangan pengguna ke dispenser sabun.

Dispenser perlu diletakkan sekurang-kurangnya 60 mm di luar lebar pili supaya pengguna mencapai di sekitar sisi cabang.

Ia juga perlu diletakkan sekurang-kurangnya 60 mm di atas cabang supaya sensor tidak diaktifkan.

Sila ambil perhatian bahawa pengguna mungkin mencapai sabun secara pepenjuru, oleh itu laluan ini tidak seharusnya melalui zon penderiaan.

Rajah G/H

Saliran air

Disebabkan udara dan air halaju tinggi berada berhampiran, air dan sabun mungkin berserak di luar dimensi sinki. Untuk mengurangkan kesan ini, kami mencadangkan anda mengikut garis panduan di bawah.

Profil Asas

Profil asas yang rata akan mengakibatkan saliran yang teruk dan mengakibatkan percikan yang besar. Untuk meningkatkan kelancaran saliran air, elakkan jenis sinki tadahan rata, dengan memberi tumpuan khusus pada kawasan sekitar lubang sinki dengan jarak radius minimum 60mm.

Rajah G.

Sudut tanjakan minimum sebanyak 6° dari sudut lubang longkang sinki akan memberikan saliran yang baik yang akan mengurangkan tahap percikan (radius minimum 60 mm). Rajah H.

Rajah I/J/K

Tapak ke transisi dinding belakang dan hadapan

Tapak ke transisi dinding belakang dan hadapan juga perlu diambil kira. Dinding belakang perlulah seberapa hampir kepada 90°, dan pada pada radius setepat mungkin seperti **Rajah I**. Geometri melengkung lebih berkemungkinan meningkatkan percikan **Rajah J**, manakala transisi dinding belakang dan hadapan yang condong perlu dielakkan **Rajah K**.

Rajah L

Lubang palam

Lubang palam dengan bukaan yang paling luas adalah disyorkan, manakala lubang palam jenis gril atau tebukon perlu dielakkan kerana ia menghalang saliran air bersabun (buih). Jangan gunakan palam di dalam lubang palam di dalam sinki.

Rajah M

Kawalan suhu air

Jika anda menyambungkan saluran air panas dan sejuk, anda perlu memasang injap pengisar.

Jika hanya tersambung ke saluran air sejuk sahaja, anda perlu memasang pemanas. Bekalan air kepada produk ini mesti dipasangkan dengan peranti kawalan suhu mengikut peraturan setempat.

- A= Injap pengisar
- B= saluran panas dan sejuk
- C= Suhu keluar yang dikehendaki
- D= Injap pemencilan
- E= Pemanas
- F= Saluran sejuk yang masuk

Maklumat Tambahan

Pemasangan

Jangan gunakan bahan kedap apabila memasang unit pada dinding. Pastikan bekalan elektrik dan sambungan bekalan dan saliran air campur tersedia untuk penyambungan. Pengasingan yang sesuai bagi bekalan kuasa dan air perlu ditempatkan untuk mematikan bekalan sebelum kerja memasang dan servis.

Elektrik

Input Voltan/Frekuensi: rujuk plat pengkadaran.
 Diasingkan oleh taji fuis suis atau RCD, jika sesuai.
 Arus 6.6 A.
 Spesifikasi kabel: PVC teras berkembar + PVC teras tunggal (bumi)
 Peraturan elektrik tempatan mesti dipatuhi semasa memasang atau membaiki produk ini.
 Kuasa terkadar: rujuk plat pengkadaran.
 Julat suhu pengendalian: 0° – 40°C.
 Penggunaan kuasa sedia:
 kurang daripada 0.5 W.
 Altitud maksimum: 2,000 meter.

Operasi air

Kadar aliran air: Pengudara dipasang secara normal 4 l/min. 1.9 l/m dengan pengudara aliran rendah yang dibekalkan bersama produk.
 Tekanan air yang diperlukan: 1-8 bar.
 1/2" BSP injap terpencil diperlukan untuk kerja servis.
 Pastikan pengembalian air panas sekunder sehampir yang mungkin dengan injap pengisar untuk mengurangkan risiko pertumbuhan bakteria Legionella.

Tugas Pengepaman Automatik

Unit ini dilengkapi dengan pengepaman air automatik yang tetap yang diaktifkan selama 60 saat setiap 24 jam selepas penggunaan terakhir. Ini membantu mengurangkan genangan air dan pembiakan bakteria di dalam produk.

Sila pastikan bahawa unit ini sentiasa dipasangkan pada besen yang berfungsi dengan saliran yang bersambung dan tidak tersumbat.

Kebersihan bekalan air dan pertumbuhan biologi

Dalam beberapa buah negara, terdapat peraturan dan garis panduan yang memerlukan sistem bekalan air dikawal suhu (seperti yang dibekalkan oleh pengering tangan Dyson Airblade Wash+Dry) menjalani pembersihan tetap untuk mengurangkan sebarang pertumbuhan biologi. Untuk membolehkan anda mematuhi peraturan ini, pengering tangan Dyson Airblade Wash+Dry telah direka dan diuji untuk menampung pembersihan dalaman dengan air panas sehingga 95°C dan dengan natrium hipoklorit pada kepekatan 0.45%.

Sila rujuk peraturan (pasaran) dan cadangan sistem bekalan air yang tertentu untuk maklumat tentang rejim pembersihan untuk kebersihan bekalan air dan pertumbuhan biologi bagi negara anda.

Semasa menjalankan kebersihan dalaman untuk pengering tangan Dyson Airblade Wash+Dry, sila berhati-hati dengan sebarang pertimbangan keselamatan semasa menggunakan air panas atau bahan kimia. Dyson tidak akan bertanggungjawab bagi sebarang kecederaan yang berlaku akibat daripada proses ini.

Ujian lasak

Pengering tangan Dyson Airblade Wash+Dry telah menjalani ujian lasak untuk memastikan ia boleh menampung tekanan yang tinggi dan impak biasa bagi persekitaran tandas komersil dan awam.

Langkah-Langkah

Rajah 1

Kedudukan

Letakkan Pili di atas bahagian tengah besen Raj. 1.

Potong lubang berdiameter 35 mm diameter pada permukaan kerja, jika perlu.

Rajah 2

Pemasangan pili

Luncurkan kedap getah 1mm pada batang pili Raj. 2a.

Masukkan batang pili dan tiub air serta kabel komunikasi yang disambungkan melalui lubang pada permukaan kerja. Pastikan kedap getah 1mm terletak di bawah pili dengan tetap dan rata.

Pastikan pilinya berada di kedudukan yang betul di atas sinki.

Luncurkan kedap getah 3.5mm pada batang pili.

Masukkan skru ke dalam gegelang pengunci loyang dan ketatkan dengan perlahan untuk memastikannya terletak dengan betul.

Luncurkan sesendal logam pada batang pili.

Skrukan nat penguncian loyang pada batang pili, meninggalkan jarak yang kurang daripada atau sama dengan 5mm di antara sesendal logam dan nat pengunci loyang.

Ketatkan skru melalui nat pengunci loyang ke dalam sesendal logam, sehingga ketat.

A= Kedap getah 1mm
B= Batang pili
C= Tiub air
D= Kabel sensor
E= kedap 3.5mm
F= Sesendal logam
G= Nat pengunci loyang
H= 2 x skru

Rajah 3

Pemasangan Hos

Luncurkan hos kelabu di atas tiub air dan kabel sensor Raj. 3a.

Masukkan tiub air melalui lubang keluar di sebelah kiri pada salur hos seperti yang ditunjukkan dalam Raj. 3b.

Guna playar untuk menarik tiub air dengan perlahan sehingga ke garisan putih Raj. 3c.

Pastikan gromet pada tiub air dipasang pada salur hos dengan ketat supaya hos kedap udara Raj. 3b.

Masukkan kabel sensor melalui lubang keluar, menarik dengan perlahan-lahan sambil anda memasukkan Raj. 3b. JANGAN gunakan playar kerana ini boleh merosakkan sambungan elektrik Raj. 3c. Pastikan gromet pada kabel dipasang pada salur hos dengan ketat supaya hos kedap udara Raj. 3d. Gris silikon boleh digunakan untuk membantu dengan pemasangan.

Skru kolar hos atas pada batang pili agar sehingga ketat Raj. 3e.

A= Hos kelabu
B= Tiub air
C= Kabel sensor

Rajah 4

Penyediaan untuk pemasangan plat belakang

Tanggalkan timba motor dari plat belakang dengan menekan regat pelepas merah di bahagian bawah dan angkat ke atas seperti yang ditunjukkan dalam Raj. 4a. Simpan timba motor dengan selamat sehingga diperlukan.

Tanggalkan penutup paip air dan penutup elektrik dari plat belakang menggunakan pemutar skru Torx T15 Raj. 4b dan 4c. Simpan dengan selamat bersama penutup sehingga diperlukan.

Rajah 5

Perancangan pemasangan plat belakang

Plat belakang boleh diletakkan dalam tiga cara menegak, atau 90° mendatar ke kiri atau ke kanan. Ruang lega dari lantai hendaklah 100mm minimum lihat Raj. 5a.

Pastikan plat belakang diletakkan agar hosnya boleh dipasang dengan mudah.

JANGAN letakkan motor secara terbalik dengan hosnya menghadap ke bawah, atau letakkan di atas pili, rujuk rajah 5b.

Tandakan kedudukan plat belakang pada dinding.

Pemasukan kabel

Kabel boleh dimasukkan sama ada dari tapak atau dari dinding ke bahagian belakang unit melalui tempat masuk kabel di bahagian belakang. Tentukan tempat masuk sebelum anda bermula.

Sekiranya anda memilih untuk memasukkan kabel melalui bahagian dasar, gunakan playar untuk menggentas panel pembuka yang telah ditandakan pada dasar plat belakang. Kikir pinggir bahagian pembuka supaya licin Raj. 5c.

Pemasukan air

Sambungan air dibuat di sebelah kiri plat belakang. Sambungan air tidak boleh diputar dalam plat belakang Raj. 5d.

Rajah 6

Pemasangan plat belakang

Jika kabel dimasukkan terus ke dalam plat belakang dari dinding, tarik kabel elektrik sebelum memasangnya pada dinding.

Pasangkan plat belakang pada dinding menggunakan lekapan yang sesuai Raj. 6. Jangan gunakan skru benam.

Rajah 7

Menyambungkan kabel sensor

Klip hos kelabu pada plat belakang. Pasangkan palam kabel sensor di dalam hos ke dalam penyambung di dalam plat belakang seperti yang ditunjukkan dalam Raj. 7. Periksa orientasi penyambung; kedua-dua tab mestilah berada dalam satu barisan. Pastikan kabel disalurkan dengan betul dalam plat belakang.

Rajah 8

Menyambungkan tiub air

Potong tiub air mengikut saiz pada garisan putih bertitik seperti yang ditunjukkan dalam Raj. 8a.

Luncurkan klip hos (dibekalkan) pada tiub air Raj. 8b.

Keluarkan 2 x skru Phillips dan buka klip solenoid dari plat belakang Raj. 8b.

Pasangkan hos air pada solenoid Raj. 8c.

Klipkan kembali solenoid pada plat belakang dan pasang dan ketatkan 2 x skru Raj. 8d.

Ketatkan klip hos dan pastikan kabel solenoid diletakkan dengan betul di dalam saluran penahan.

Rajah 9

Menyambung ke bekalan elektrik

Halakan bekalan elektrik ke plat belakang menggunakan konduit fleksibel atau padu dan lekapan yang diluluskan. Pastikan kabel kuasa cukup panjang untuk disambungkan ke blok terminal yang dipasang pada plat belakang.

Halakan kabel ke dalam plat belakang dan ketatkan sesendal kabel.

Lucutkan kabel pada kepanjangan yang sesuai dan ketatkan wayar hidup dan neutral pada blok terminal yang sepadan seperti yang ditunjukkan dalam Rajah 9. Pastikan kabel berada dalam kedudukan yang betul sebelum meneruskan.

Rajah 10

Susun semula penutup elektrik

Pasang penutup elektrik dan ketatkan dengan 6 x lekapan yang dibekalkan dengan memastikan tiada wayar yang terperangkap.

Rajah 11

Menyambungkan bekalan air campuran

NOTA: Pastikan bekalan air telah betul-betul menyingkirkan serpihan, serbuk tembaga dan sebagainya sebelum menyambung kepada plat belakang. Kegagalan berbuat demikian boleh merosakkan injap solenoid.

Sambungkan bekalan air campuran terencil pada plat belakang.

Buka paip.

Periksa sama ada terdapat kebocoran pada salur masuk bekalan air utama serta sambungan tiub air ke pili.

Periksa juga kebocoran pada sambungan solenoid.

Rajah 12

Menghidupkan kuasa

Hidupkan kuasa ke mesin.

KITARAN PENENTUKURAN: Setelah dipasang, pili akan melalui kitaran penentukuran selama 30 saat.

Letakkan tangan di bawah sensor pada kepala paip untuk mengaktifkan aliran air. Raj. 12a.

Periksa kebocoran seperti Raj. 11.

Lekatkan penutup paip air pada plat belakang menggunakan 2 x lekapan yang disediakan. Raj. 12b.

Rajah 13

Memasang baldi motor

Cangkukkan baldi motor pada bahagian atas penutup elektrik. Pusingkannya ke bawah supaya ia berada pada kedudukannya seperti yang ditunjukkan. Tekan rapat ke dalam Raj. 13a.

PILIHAN: Skru dibekalkan untuk mengunci butang pelepas merah dan mencegah baldi motor daripada dikeluarkan secara tidak diingini.

Menguji unit untuk memastikan unit beroperasi dengan betul.

Memasang baldi baldi pada plat belakang (tidak wajib).

Untuk mengeluarkan penuras, gunakan pemutar skru secara perlahan-lahan untuk melepaskan tab pada penurasnya seperti yang ditunjukkan dalam Raj. 13b.

Pasangkan baldi motor pada plat belakang menggunakan skru keselamatan yang dibekalkan Raj. 13c.

Sambungkan semula penuras dan pastikan penapis berdetap di tempatnya Raj. 13d.

Ujian pemasangan

Menguji pengering tangan untuk memastikan unit beroperasi secara normal:

- Letakkan tangan anda di bawah pusat pili dan air akan mengalir secara automatik selama tangan tetap berada di situ.
- Letakkan tangan anda di mana-mana pusat pili untuk mengaktifkan pengering tangan, menghasilkan aliran udara untuk mengikis air dari tangan anda.
- Gerakkan tangan anda ke belakang dan ke hadapan melalui udara secara perlahan-lahan. Pusingkan tangan anda supaya tapak dan belakang tangan terdedah kepada aliran udara.

Penyelesaian Masalah

Pengering tangan gagal dihidupkan:

- Periksa jika pemutus fuis/litar berfungsi dan bekalan kuasa dan air disambungkan.
- Pastikan tukup pembersihan ditanggalkan dan sensor dalam keadaan bersih dan tidak terhalang.
- Matikan dan hidupkan unit.

Pengering tangan hidup dan mati dengan tidak menentu:

- Matikan dan hidupkan unit.
- Pastikan bahawa tiada palam dalam sinki dan keluarkan palam jika ada.
- Pastikan sensor adalah bersih.
- Pastikan kabel sensor dari kepala paip disambungkan dengan rapi.

Pengering tangan kadangkala tidak boleh digunakan:

- Matikan dan hidupkan unit.
- Pastikan sensor adalah bersih.
- Periksa salur masuk udara berkeadaan bersih dan bebas habuk. Jika salur masuk udara berhabuk, buang habuk tersebut.
- Pastikan salur masuk udara tidak dihalang dan mempunyai ruang lega yang mencukupi.

Masa pengeringan meningkat:

- Periksa dan buang habuk di salur masuk udara.
- Periksa dan tukar penapis jika perlu.
- Pastikan hos dipasang dengan selamat ke pangkal pili dan tiada kebocoran berlaku.

Aliran udara menjadi lebih panas berbanding biasa:

- Periksa dan buang habuk di salur masuk udara.
- Periksa dan tukar penapis jika perlu.
- Pastikan hos dipasang dengan selamat ke pangkal pili dan tiada kebocoran berlaku.

Udara keluar secara berterusan:

- Periksa sebarang objek di dalam sinki dan buang jika perlu.
- Pastikan sensor adalah bersih dan bebas daripada sebarang halangan.
- Periksa dan tukar penapis jika perlu.
- Pastikan hos dipasang dengan selamat ke pangkal pili dan tiada kebocoran berlaku.

Tiada udara keluar:

- Matikan dan hidupkan unit.
- Periksa dan pastikan fuis/pemutus litar berfungsi dan kuasa disambungkan.
- Pastikan sensor adalah bersih.
- Pastikan hos udara dipasang dengan rapi pada pangkal pili dan tiada kebocoran berlaku.
- Pastikan kabel sensor dari kepala paip disambungkan dengan rapi.

Air mengalir secara berterusan daripada kepala paip:

- Pastikan sensor adalah bersih dan bebas daripada sebarang halangan.

Tiada air keluar daripada kepala paip:

- Pastikan bekalan kuasa dan air dihidupkan dan injap pemencilan terbuka.
- Pastikan pengudara bebas daripada bendasing, buang dan bersihkan/ganti pengudara jika perlu.

Air yang keluar daripada kepala paip terlalu panas atau sejuk:

- Periksa untuk memastikan injap mengisar ditetapkan pada suhu yang dikehendaki.
- Untuk sokongan dan maklumat lanjut, hubungi Talian Khidmat Pelanggan Dyson ataupun layari laman web kami di www.dyson.com.

Belangrijke veiligheidsinstructies 189 

In de doos 190

Controles voorafgaand aan installatie 191

Installatie

Stapsgewijs 193

Testinstallatie 195

Probleemoplossing 195

BELANGRIJKE VEILIGHEIDSIINSTRUCTIES

LEES EN BEWAAR DEZE INSTRUCTIES

LEES ALLE INSTRUCTIES EN WAARSCHUWINGEN IN DEZE GEBRUIKSHANDLEIDING EN DE INSTALLATIEGIDS ALVORENS DIT APPARAAT TE INSTALLEREN OF GEBRUIKEN.

WAARSCHUWING

ALLE INSTALLATIE- EN REPARATIEWERKZAAMHEDEN (LOODGIETERSWERK EN BEDRADING) DIENEN TE WORDEN UITGEVOERD DOOR EEN GEKwalificeerd PERSOON OF DYSON ONDERHOUDSMONTEUR IN OVEREENSTEMMING MET GELDENDE PLAATSELIJKE REGELS OF VOORSCHRIFTEN.

WAARSCHUWING

KANS OP ELEKTRISCHE SCHOKKEN!

INDIEN DE BEHUIZING WORDT VERWIJDERD OF FOUTIEF WORDT BEHANDELD, KUNNEN DE INTERNE COMPONENTEN VAN HET APPARAAT LETSEL TOEBRENGEN OF ZE KUNNEN PERMANENT BESCHADIGD RAKEN.

DIT APPARAAT MOET GEAARD WORDEN OM HET RISICO OP BRAND, ELEKTRISCHE SCHOKKEN, OF PERSOONLIJK LETSEL TE VERKLEINEN.

Voordat u eventuele installatiewerkzaamheden start, moet het volgende worden gecontroleerd.

- Controleer of de netvoeding overeenkomt met de indicatie op het typeplaatje.

- Er moet een methode voor gelijktijdige loskoppeling van alle polen in de vaste bedrading zijn ingebouwd, in overeenstemming met plaatselijke regelgeving wat betreft bedrading.
- Gebruik geschikte leidingen en elektrisch installatiemateriaal voor het aanleggen van de stroomvoorziening. Zorg ervoor dat de leiding en de kabels lang genoeg zijn om de achterplaat en het elektrische aansluitblok met elkaar te verbinden. Leidingen van vast metaal zijn niet geschikt voor zij-ingangen.

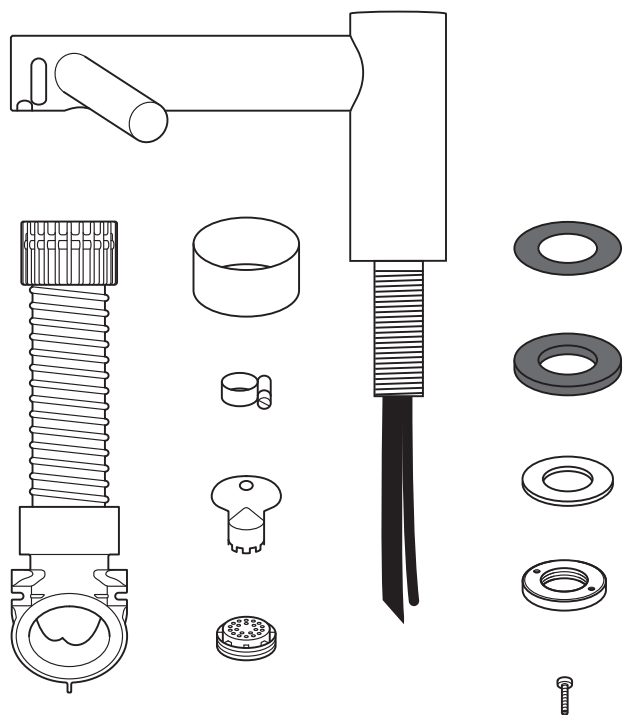
WAARSCHUWING

Wees voorzichtig bij het uitpakken van de onderdelen. Er kunnen scherpe hoeken of randen aan zitten die kunnen snijden of schade kunnen veroorzaken.

GEBRUIK GEEN HOGEDRUKSPUIT OM HET APPARAAT TE REINIGEN OF IN DE BUURT VAN HET APPARAAT TE REINIGEN

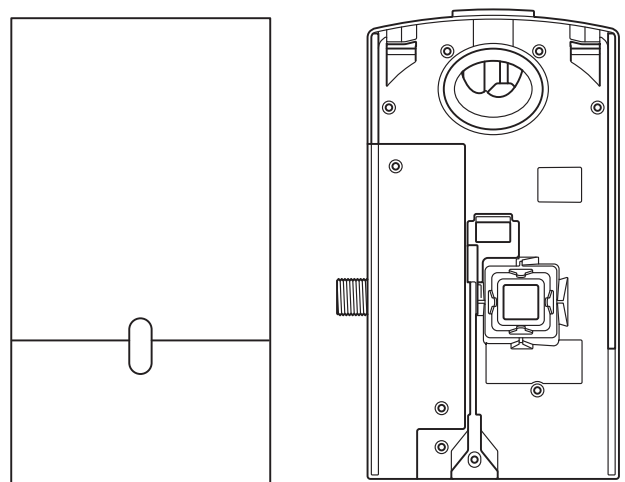
In de doos

NL



x2  

x1  



Vereist gereedschap:

- Kleine kruiskopschroevendraaier
- Platte schroevendraaier van 7 mm
- 2,5 mm sleufschroevendraaier
- Torxschroevendraaier T15
- Meetlint en potlood
- Handboor
- Geschikt boortje
- Tang / afstriptang
- Mes
- Verstelbare moersleutel

Controles voorafgaand aan installatie

Afb. A

Controles voorafgaand aan installatie

De Dyson Airblade Wash+Dry handdroger is zo ontworpen dat de motoreenheid aan de wand is gemonteerd en zich onder de wastafel bevindt, Afb. A(i).

De installatie van een inline filter wordt geadviseerd voor het voorkomen van schade die van invloed kan zijn op uw garantie.

- Laat voldoende ruimte over zodat u er goed bij kunt bij installatie- en onderhoudswerkzaamheden, zie Afb. A(ii).
- Het apparaat is uitsluitend ontworpen voor droge locaties binnenshuis.
- Raadpleeg plaatselijke en landelijke regels en voorschriften wat betreft toegankelijkheid voor relevante richtlijnen voor installatie. De installateur is verantwoordelijk voor conformiteit en naleving. Zorg ervoor dat het apparaat wordt geïnstalleerd met gebruik van de meegeleverde goot, pijpgoot en metalen behuizing.
- Er moet een methode voor gelijktijdige loskoppeling van alle polen in de vaste bedrading zijn ingebouwd, in overeenstemming met plaatselijke regelgeving wat betreft bedrading.
- Isoleer de voeding en watertoevoer voorafgaand aan installatie of onderhoud.
- Zorg ervoor dat er zich geen (gas-, water- of lucht)leidingen of stroomkabels, bedrading of buizen direct achter het te boren/monteren gedeelte bevinden.

- Dyson adviseert het gebruik van beschermende kleding, veiligheidsbrillen en passende materialen waar nodig bij het installeren/repareren.
- Dit apparaat is bedoeld voor permanente aansluiting op het waternet.

Gebruik op plekken waar voedsel wordt bereid

Voor een omgeving van voedselbereiding is een speciale installatie vereist, die de motorbehuizing en slang volledig moet insluiten in een te reinigen behuizing of die de motorbehuizing aan de ommezijde van een wand heeft, die een adequate tussenruimte biedt voor reiniging eronder (indien van toepassing) en die zo is dat het apparaat op tenminste 2,5 meter van onafgedekt voedsel of onafgedekte oppervlakken die in contact staan met voedsel, staat.

Raadpleeg de aanbevelingengids voor de wasbak op www.dyson.nl/www.dyson.be voorafgaand aan de installatie.

Afb. B

Richtlijnen voor wasbakspecificatie

Met gebruik van een speciaal ontworpen testmethode hebben Dyson-technici een groot aantal verschillende wasbakken getest voor het beoordelen van hun compatibiliteit met de Dyson Airblade Wash+Dry. Voor aanbevolen wasbakken gebruikt u onze gids op www.dyson.nl/www.dyson.be

Porseleinen of geborsteld metalen wasbakken zijn ideaal. Wasbakken met uiterst gepolijste oppervlakken moeten worden vermeden, bijv. weerspiegelend chroom.

Raadpleeg Afb. B voor de minimale afmetingen van de wasbak.

Afb. C/D/E

Kraanmontage

De afstand tussen de bovenkant van de wasbak en het midden van de kraan moet minimaal 100 mm en maximaal 155 mm bedragen. Afb. C.

De afstand tussen het midden van de kraan en een zijmuur moet minimaal 290 mm bedragen. Wanneer meerdere kranen naast elkaar worden geïnstalleerd, moet tussen het midden van de kranen een afstand van 580 mm bestaan. Hierdoor is er voldoende ruimte voor het monteren van de motorbehuizing en tevens voldoende schouderruimte voor gebruikers. Afb. D.

Plaats de omlaag gerichte watersensor van de kraan niet boven een reflecterend oppervlak, zoals het afvoerputje. Afb. E.

Afb. F

Zeep en de zeepautomaat plaatsen

Voor de beste gebruikerservaring raadt Dyson het gebruik van gelzeep aan.

De infrarood detectiezone voor luchtactivering strekt zich uit over elke kraanvertakking. Om per ongeluk activeren te voorkomen, is het belangrijk om te denken aan de route van de hand van de gebruiker naar de zeepautomaat.

De automaat moet zich op tenminste 60 mm buiten de breedte van de kraan bevinden zodat de gebruiker rond de zijkant van de vertakking kan reiken.

De automaat moet zich tevens tenminste 60 mm boven de vertakkingen bevinden zodat de sensoren niet worden geactiveerd.

Denk eraan dat de gebruiker diagonaal kan reiken naar de zeep, dus dit pad mag niet door de detectiezone lopen.

Afb. G/H

Waterafvoer

Vanwege lucht met hoge snelheid en water in de directe nabijheid bestaat er een kans van verspreiding van wat water en zeep buiten de afmetingen van de wasbak. Om dit effect te verminderen, raden wij aan om de onderstaande richtlijnen te volgen.

Basisprofiel

Een vlak basisprofiel leidt tot een slechte afvoer met een hoge mate van terugspatten als gevolg. Voor het verbeteren van de afvoer moet u wasbakken met een vlakke basis vermijden, met een specifieke focus op het directe omringende gebied van het afvoerputje, minimumstraal van 60 mm. Afb. G.

Een minimale hellingshoek van 6° van de rand van het afvoerputje leidt tot een goede afvoer met een gereduceerde mate van terugspatten als gevolg (minimumstraal van 60 mm). Afb. H.

Afb. I/J/K

Overgang van basis naar achter- en voormuur

De overgang van basis naar achter- en voormuur moet ook worden overwogen. De achtermuur moet zo dicht mogelijk bij 90° liggen en moet een zo scherp mogelijke straal hebben. **Afb. I.** Het is meer waarschijnlijk dat een gebogen geometrie leidt tot terugspatten, terwijl hellende overgangen tussen achter- en voormuur moeten worden vermeden. **Afb. J/K.**

Afb. L

Afvoergat

Afvoergaten met de meest open opening worden aanbevolen, terwijl afvoergaten met rooster en geperforeerde afvoergaten moeten worden vermeden aangezien deze de afvoer van zeepwater (sop) beperken. Gebruik geen stoppen in de afvoergaten in wasbakken.

Afb. M

Regeling watertemperatuur

Bij aansluiting op warme en koude watertoevoer, moet u een mengklep installeren. Indien alleen op een koude watertoevoer aangesloten, moet er een verwarming worden aangesloten. De watertoevoer naar dit product moet zijn voorzien van een temperatuurregeling overeenkomstig de plaatselijke regelgeving.

A= Mengklep
B= Warme en koude toevoer
C= Gewenste uitgangstemperatuur
D= Isolatieklep
E= Verwarming
F= Koude invoer

Extra informatie

Installeren

Gebruik geen afdichtmiddel bij het bevestigen van de unit aan de muur. Zorg ervoor dat elektriciteitskabels, mengwatervoorzienings- en afvoeraansluitingen kunnen worden aangesloten. De stroom- en watertoevoer moet goed geïsoleerd zijn om de toevoer uit te schakelen vóór installatie en voor onderhoud.

Elektrische specificaties

Inputvoltage/frequentie: raadpleeg het typeplaatje.
Geïsoleerd met schakelzekeringspoor of RCD als toepasselijk.
Stroom 6,6 A.
Kabelspecificatie: Dual core PVC + Single core PVC (aarding)
Lokale elektrische regelgeving moet worden opgevolgd bij het installeren of repareren van het product.
Nominale vermogen: raadpleeg het typeplaatje.
Bedrijfstemperatuurbereik: 0° – 40°C.
Stand-by stroomverbruik: minder dan 0,5 W.
Maximumhoogte: 2000 meter.

Water

Waterstroomsnelheid: 4 l/min normaal gemonteerde beluchter. 1,9 l/m met beluchter met laag debiet als meegeleverd met product.
Vereiste waterdruk: 1-8 bar. 1/2" BSP geïsoleerde klep vereist voor service.
Houd de secundaire warmwaterretour zo dicht mogelijk bij de mengklep om het risico op aanwezigheid van de Legionella-bacterie te voorkomen.

Automatische spoeling

Het apparaat is uitgerust met een vaste automatische waterspoeling die 24 uur na het laatste gebruik wordt geactiveerd gedurende 60 seconden. Dit helpt bij het reduceren van stagnatie van water en verspreiding van bacteriën binnen het product. Zorg ervoor dat het apparaat altijd wordt geïnstalleerd boven een functionele wasbak met een vrije en aangesloten afvoer.

Zuiverheid en biologische groei van watertoevoer

Sommige landen hebben regelgeving of richtlijnen die vereisen dat watertoevoersystemen met temperatuurregeling (zoals geleverd bij de Dyson Airblade Wash+Dry-handdroger) worden onderworpen aan regelmatige reiniging voor het minimaliseren van biologische groei. Om deze regelgeving na te kunnen leven, is de Dyson Airblade Wash+Dry-handdroger ontworpen en getest om weerstand te bieden voor interne reiniging, zowel met heet water van tot 95°C als met natriumhypochloriet bij een concentratie van 0,45%.

Raadpleeg specifieke (markt-) regelgeving en aanbevelingen voor watertoevoersystemen voor informatie over reinigingsregimes voor zuiverheid en biologische groei van watertoevoer voor uw land.

Bij het uitvoeren van interne reiniging van de Dyson Airblade Wash+Dry-handdroger moet u letten op alle veiligheidsoverwegingen bij het gebruik van heet water of chemicaliën. Dyson is niet verantwoordelijk voor enig letsel dat wordt veroorzaakt door dit proces.

Testen van oneigenlijk gebruik

De Dyson Airblade Wash+Dry-handdroger heeft strenge testen van oneigenlijk gebruik doorstaan om ervoor te zorgen dat deze bestand is tegen aanzienlijke krachten en impact die typisch is voor een commerciële en openbare toiletomgeving.

Stapsgewijs

Afb. 1

Positie

Plaats de kraan over het midden van de wastafel, [Afb. 1](#).

Boor indien nodig een gat met een diameter van 35 mm in het werkoppervlak.

Afb. 2

Kraaninstallatie

Schuif de rubberen pakkingring van 1 mm om het bovendee van de kraan, [Afb. 2a](#).

Steek het bovendee en de daaraan bevestigde waterslang en communicatiekabel door het gat in het werkblad. Controleer of de rubberen afdichting van 1 mm onder de kraan gelijkmatig en vlak is.

Controleer of de kraan op de juiste plek boven de gootsteen zit.

Schuif de rubberen pakkingring van 3,5 mm om het bovendee van de kraan.

Steek de schroeven in de koperen borging en draai deze lichtjes vast om ze op hun plaats te houden.

Schuif de metalen pakking om het bovendee van de kraan.

Schroef de koperen borgmoer op het bovendee van de kraan en laat een ruimte van maximaal 5 mm over tussen de metalen pakking en de koperen borgmoer.

Draai de schroeven door de koperen borgmoer in de metalen pakking aan, totdat deze handvast aangedraaid zijn.

A= Rubberen afdichting van 1 mm
B= Bovendee van kraan
C= Waterleiding
D= Sensorkabel
E= Afdichting van 3,5 mm
F= Metalen pakking
G= Koperen borgmoer
H= 2 x schroeven

Afb. 3

Slanginstallatie

Schuif de grijze slang omhoog over de waterleiding en sensorkabel, [Afb. 3a](#).

Steek de waterleiding door het linkeruiteinde van de slang zoals getoond in [Afb. 3b](#).

Gebruik een waterpomptang om de waterleiding voorzichtig omhoog te trekken tot aan de dikke witte lijn, [Afb. 3c](#).

Zorg ervoor dat de pakkingring om de waterleiding nauwsluitend in de slang past, zodat deze luchtdicht is, [Afb. 3b](#).

Steek de sensorkabel door het rechter uiteinde, waarbij u voorzichtig trekt bij het doorvoeren, [Afb. 3b](#). Gebruik GEEN waterpomptang, omdat deze de elektrische aansluitingen kan beschadigen, [Afb. 3c](#). Zorg ervoor dat de pakkingring om de kabel nauwsluitend in de slang past, zodat deze luchtdicht is, [Afb. 3d](#). Siliconenvet kan worden gebruikt om te helpen bij de installatie.

Draai de bovenste slangfitting op het bovendee van de kraan, zodat deze handvast aangedraaid zit, [Afb. 3e](#).

A= Grijze slang
B= Waterleiding
C= Sensorkabel

Afb. 4

Vorbereiden voor installatie van de achterplaat

Verwijder de motorbehuizing van de achterplaat door op de grendel aan de onderkant te drukken en de plaat op te tillen zoals getoond in [Afb. 4a](#). Bewaar de motorbehuizing veilig totdat deze nodig is.

Verwijder de leidinggoot en de snoergoot van de achterplaat met gebruik van een torxschroevendraaier T15, [Afb. 4b](#) en [4c](#). Bewaar ze veilig samen met de bevestigingsmiddelen totdat ze nodig zijn.

Afb. 5

De achterplaat en de slang installeren

De achterplaat kan op drie manieren worden gepositioneerd: verticaal of 90° horizontaal links of rechts. De vrije ruimte vanaf de vloer moet minimaal 100 mm zijn, zie [Afb. 5a](#).

Zorg ervoor dat de achterplaat zo is geplaatst dat de slang eenvoudig kan worden bevestigd.

Plaats de motor NIET ondersteboven met de slang omlaag gericht of boven de kraan geplaatst, zie [Afb. 5b](#).

Markeer de positie waar de achterplaat tegen de muur moet komen.

Kabelingang

De kabel kan vanaf de onderzijde of vanaf de muur direct aan de achterkant van de unit via de kabelingang aan de achterzijde worden aangevoerd. Beslis voordat u begint waar deze moet komen.

Als u kiest voor kabelinvoer via de onderzijde, gebruik dan een tang om het voorgemarkeerde uitbrekbare paneel op de onderzijde van de achterplaat te verwijderen. Vrij de randen van het uitbrekbare gedeelte glad, [Afb. 5c](#).

Waterinvoer

De wateraansluiting wordt aan de linkerkant van de achterplaat gemaakt. De wateraansluiting kan niet worden gedraaid binnen de achterplaat, [Afb. 5d](#).

Afb. 6

Installatie achterplaat

Als de kabel rechtstreeks vanaf de muur via de achterplaat moet worden doorgevoerd, trek de stroomkabel dan eerst door de achterplaat voordat u deze aan de muur bevestigt.

Gebruik de juiste bevestigingsmaterialen om de achterplaat aan de muur te bevestigen, [Afb. 6](#).

Gebruik geen verzonken schroeven.

Afb. 7

De sensorkabel aansluiten

Klik de grijze slang in de achterplaat.

Sluit de sensorkabel in de slang aan op de connector in de achterplaat als getoond in [Afb. 7](#). Controleer de richting van de connector; de twee tabs moeten uitgelijnd zijn. Zorg ervoor dat de kabel juist door de achterplaat loopt.

Afb. 8

De waterleiding aansluiten

Snijd de waterleiding op maat op de witte stippellijn als getoond in [Afb. 8a](#).

Schuif de slangklem (meegeleverd) over de waterleiding, [Afb. 8b](#).

Verwijder de 2 kruiskopschroeven en klik de solenoïde los van de achterplaat, [Afb. 8b](#).

Bevestig de waterleiding aan de solenoïde, [Afb. 8c](#).

Klik de solenoïde terug op de achterplaat en bevestig de twee schroeven, [Afb. 8d](#).

Draai de slangklem aan om ervoor te zorgen dat de solenoïdekabel juist in het borgkanaal is geplaatst.

Afb. 9

De netspanning aansluiten

Trek de stroomvoorziening naar de achterplaat met gebruik van goedgekeurde flexibele of vaste leidingen en installatiemateriaal. Zorg ervoor dat het stroomsnoer lang genoeg is voor aansluiting op het klemmenblok dat is gemonteerd op de achterplaat.

Trek de kabel in de achterplaat en maak vervolgens de kabelwartel vast.

Verkort de kabel naar een passende lengte en beveilig de fase- en nuldraden in het corresponderende klemmenblok zoals getoond op [Afb. 9](#). Zorg voor een juiste plaatsing van de kabels voordat u verder gaat.

Afb. 10

De snoergoot weer monteren

Bevestig de snoergoot en maak deze vast met de zes meegeleverde bevestigingsmiddelen waarbij u ervoor zorgt dat geen kabels worden bekneld.

Afb. 11

De mengwatervoorziening aansluiten

OPMERKING: Zorg ervoor dat vuil, kopervijzel, enz. volledig uit de watertoevoer is gespoeld voorafgaand aan het aansluiten van de montageplaat. Dit niet doen kan leiden tot schade aan de solenoïdeklep waardoor deze niet goed sluit met een druppelende kraan als gevolg.

Sluit de geïsoleerde mengwatervoorziening aan op de achterplaat.

Zet de waterkraan open.

Controleer de waterinlaat van de hoofdtoevoer en de aansluiting van de waterleiding op de kraan.

Controleer op lekken in de solenoïdeverbinding.

Afb. 12

Stroom inschakelen

Schakel de stroom naar de machine in.

KALIBRATIECYCLUS: Wanneer deze is geïnstalleerd doorloopt de kraan een kalibratiecyclus van 30 seconden.

Houd uw hand onder de sensor op de kraan om het water te laten stromen. [Afb. 12a](#). Controleer op lekken overeenkomstig [Afb. 11](#).

Bevestig de afdekking van de waterleiding aan de achterplaat met de twee meegeleverde bevestigingen. [Afb. 12b](#).

Afb. 13

De motorbehuizing monteren

Haak de motor bovenaan de kabelgoot. Kantel hem naar beneden, zodat deze op zijn plaats vastklikt, zoals weergegeven. Druk hem stevig vast. [Afb. 13a](#).

OPTIONEEL: Een schroef wordt geleverd voor het vastmaken van de rode vrijgaveknop en om ongewenste verwijdering van de motorbehuizing te voorkomen.

Test de correcte werking van de unit.

Bevestig de motorbehuizing aan de achterplaat (optioneel).

Om het filter te verwijderen, dient u het lipje op het filter voorzichtig met een schroevendraaier open te maken, als getoond [Afb. 13b](#).

Bevestig de motorbehuizing aan de achterplaat met behulp van de meegeleverde veiligheidsschroef [Afb. 13c](#). Sluit het filter opnieuw aan zodat deze op zijn plaatst klikt. [Afb. 13d](#).

Testinstallatie Probleemoplossing

Test de handdroger op normale werking:

- Plaats uw handen onder het midden van de kraan en water stroomt automatisch zolang u uw handen op die plek houdt.
- Plaats uw handen aan elke zijde van het midden van de kraan om de handdroger te activeren.
- Breng uw handen langzaam naar achteren en naar voren door de lucht. Draai uw handen zodat zowel de rug van uw hand als uw handpalm blootgesteld is aan de luchtstroom.

De handdroger start niet:

- Controleer of de zekering/aardlekschakelaar werkt en of de spanning en watertoevoer zijn aangesloten.
- Controleer of het reinigingskapje is verwijderd en of de sensoren schoon en niet verstopt zijn.
- Schakel het apparaat uit en in.

De handdroger wordt onregelmatig in- en uitgeschakeld:

- Schakel het apparaat uit en in.
- Zorg ervoor dat er geen stop in de wasbak zit en verwijder deze indien er een stop aanwezig is.
- Controleer of de sensoren schoon zijn.
- Controleer of de sensorkabel vanaf de kraan stevig is aangesloten.

De handdroger schakelt soms uit tijdens gebruik:

- Schakel het apparaat uit en in.
- Controleer of de sensoren schoon zijn.
- Controleer of de luchtinvoer schoon en stofvrij is. Verwijder het stof als de luchtinvoer stoffig is.
- Controleer of de luchtinvoer niet verstopt is en voldoende vrije ruimte heeft.

De droogtijd is verlengd:

- Controleer de luchtinvoer op stof en verwijder dit eventueel.
- Controleer het filter en vervang dit indien nodig.
- Controleer of de slang stevig aan de onderzijde van de kraan is bevestigd en er zich geen lekkages voordoen.

De luchtstroom is heter dan gebruikelijk:

- Controleer de luchtinvoer op stof en verwijder dit eventueel.
- Controleer het filter en vervang dit indien nodig.
- Controleer of de slang stevig aan de onderzijde van de kraan is bevestigd en er zich geen lekkages voordoen.

Lucht stroomt ononderbroken:

- Controleer op objecten in de wasbak en verwijder indien nodig.
- Controleer of de sensoren schoon en niet verstopt zijn.
- Controleer het filter en vervang dit indien nodig.
- Controleer of de slang stevig aan de onderzijde van de kraan is bevestigd en er zich geen lekkages voordoen.

Er stroomt geen lucht:

- Schakel het apparaat uit en in.
- Controleer of de zekering/aardlekschakelaar werkt en of de spanning is aangesloten.
- Controleer of de sensoren schoon zijn.
- Controleer of de luchtslang stevig aan de onderzijde van de kraan is bevestigd en er zich geen lekkages voordoen.
- Controleer of de sensorkabel vanaf de kraan stevig is aangesloten.

Er stroomt doorlopend water uit de kraan:

- Controleer of de sensoren schoon en niet verstopt zijn.

Er stroomt geen water uit de kraan:

- Controleer of de spanning en watertoevoer zijn aangesloten en of het afsluitventiel geopend is.
- Controleer of de beluchter vrij is van vuil. Verwijder eventueel vuil en reinig of vervang de beluchter zo nodig.

Het water dat uit de kraan stroomt, is te warm of te koud:

- Controleer of de mengklep op de gewenste temperatuur is ingesteld.
- Neem contact op met de Dyson helpdesk voor meer ondersteuning en informatie of kijk online op www.dyson.nl/www.dyson.be

NO

Innhold

NO

Viktige sikkerhetsinstruksjoner	197	
Innhold i esken	198	
Kontroller før installasjon	199	
Installasjon		
Steg for steg	201	
Test installasjonen	203	
Feilsøking	203	

VIKTIGE SIKKERHETS- INSTRUKSJONER

LES OG TA VARE PÅ DISSE INSTRUKSJONENE

FØR DU INSTALLERER ELLER BRUKER DENNE ENHETEN, MÅ DU LESE ALLE INSTRUKSJONER OG ADVARSLER I DENNE INSTALLASJONSVEILEDNINGEN OG I BRUKERHÅNDBOKEN.

ADVARSEL

ALT INSTALLASJONS- OG REPARASJONSARBEID (RØRLEGGING OG ELARBEIDER) SKAL UTFØRES AV EN KVALIFISERT PERSON ELLER EN SERVICETEKNIKER FRA DYSON I SAMSVAR MED GJELDENE LOKALE FORSKRIFTER OG REGLER.

ADVARSEL

FARE FOR ELEKTRISK STØT!

HVIS DEKSLET FJERNES ELLER HÅNDBTERES PÅ FEIL MÅTE, KAN INNVENDIGE DELER I ENHETEN FØRE TIL SKADE ELLER BLI PERMANENT ØDELAGT.

DETTE UTSTYRET MÅ VÆRE JORDET FOR Å REDUSERE RISIKO FOR BRANN, ELEKTRISK SJOKK ELLER PERSONSKADE.

Før installasjonsarbeidet starter, må du kontrollere følgende:

- Kontroller at strømforsyningen tilsvarer det som er angitt på merkeplaten.
- Dette utstyret må være jordnet for å redusere risiko for brann, elektrisk sjokk eller personskade.

- Koble til strømforsyningen med egnet gjennomføring og elektriske festeanordninger. Påse at gjennomføringen og ledningene er lange nok til at de kan festes til bakplaten og rekkeklemmene. Massive metallrør er ikke egnet for sidemontering.

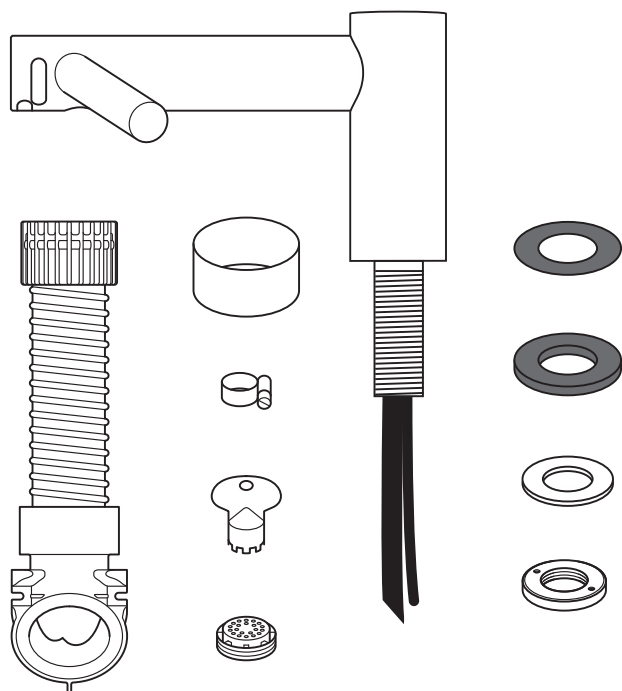
ADVARSEL

Vær forsiktig når du pakker ut komponentene. De kan ha skarpe kanter/hjørner som du kan kutte eller skade deg på.

IKKE BRUK HØYTRYKKSUTSTYR TIL RENGJØRING PÅ ELLER I NÆRHETEN AV DENNE ENHETEN.

Innhold i esken

NO



x2  

x1  

Verktøy som trengs:

Lite stjerneskrudjern

7 mm skrutrekker med flatt blad

2,5 mm skrutrekker med flatt blad

Torx T15-skrutrekker

Målebånd og blyant

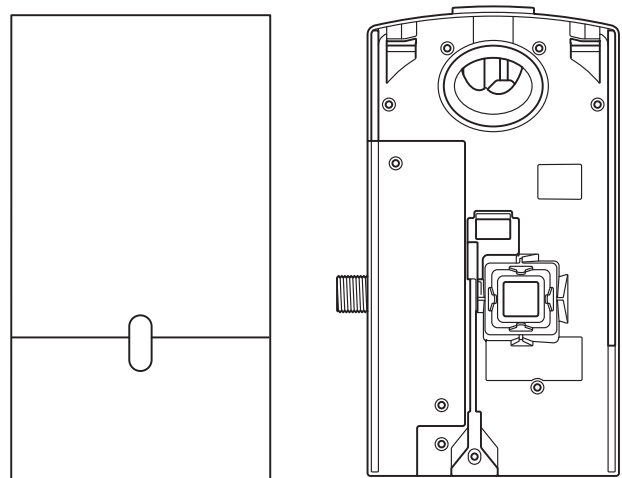
Håndbor

Passende bor

Tang/avisoleringstang

Kniv

Skiftenøkkel



Kontroller før installasjon

Figur A

Planlegging før installasjon

Dyson Airblade Wash+Dry håndtørker er designet slik at motorenheten monteres på vegg og plasseres under servanten (Fig. A (i)).

Det anbefales å montere et filter i røret for å unngå skade som kan innvirke på garantien.

- Sørg for tilstrekkelig plass for installasjon og service (Fig. A(ii)).
- Enheten er designet for et tørt, innendørs sted.
- Se lokale og nasjonale lover og forskrifter om tilgjengelighet for relevante retningslinjer for installasjon. Samsvar og overholdelse er installatørens ansvar. Sørg for at enheten monteres med den medfølgende kanalen, kanaldekselet og metallskapet.
- Et hjelpemiddel for allpolet frakobling må være inkorporert i den faste kablingen i samsvar med lokale kablingsregler.
- Isoler strømmen og vannforsyningen før installasjon eller service.
- Sjekk at det ikke finnes rør (gass, vann, luft) eller elektriske kabler, ledninger eller kanalsystemer direkte bak bore-/ monteringsområdet.
- Dyson anbefaler bruk av verneklær, øyebeskyttelse og materialer ved installasjon/repasasjon, alt etter behov.
- Dette apparatet er ment å være permanent tilkoblet hovedvannledningen.

Bruk i områder der det tilbredes matvarer

For miljøer der det forberedes mat, kreves en spesialinstallasjon som lukker motorbrønnen og slangen fullstendig inne i et hus som kan rengjøres, eller der motorbrønnen plasseres på baksiden av en vegg med tilstrekkelig klaring for å rengjøre under den (hvis aktuelt). Dette må være slik at enheten er minst 2,5 meter fra utildekkede matvarer eller utildekkede flater i kontakt med matvarer.

Rådfør deg med den anbefalte veiledningen for servanten på www.dyson.com før installasjon.

Figur B

Spesifikasjonsretningslinjer for servant

Ved hjelp av en spesialdesignet testmetode, testet Dysons ingeniører et bredt spekter av servanter for å vurdere kompatibiliteten med Dyson Airblade Wash+Dry håndtørker. Anbefalte servanter finner du på veiledningen vår på www.dyson.com

Servanter i porselen og børstet metall er ideelle. Servanter med svært polerte overflater, f.eks. reflekterende krom, bør unngås. For minimumsdimensjoner for servanten, rådfør deg med [figur B](#).

Figur C/D/E

Montering av kran

Det bør være minimum 100 mm og maksimum 155 mm fra toppen av servanten til midten av kranen. [Figur C](#).

Det bør være minimum 290 mm fra midten av kranen til en sidevegg. Når flere kraner installeres ved siden av hverandre, bør det være minimum 580 mm mellom midten på kranene. Dette gir tilstrekkelig plass for montering av motorbrønnen, samt tilstrekkelig skulderplass for brukerne. [Figur D](#). Sørg for at vannsensoren på undersiden av kranen ikke plasseres over en reflekterende overflate, som for eksempel sluket. [Figur E](#).

Figur F

Såpe og plassering av såpedispenseren

Dyson anbefaler flytende såpe for best mulig brukeropplevelse.

Den infrarøde følesonen for luftaktivering strekker seg langs hver side av kranforgreningen. For å hindre utilsiktet aktivering, er det viktig å vurdere brukerens håndrute til såpedispenseren.

Dispenseren bør plasseres minst 60 mm utenfor kranens bredde, slik at brukeren strekker seg rundt siden av kranforgreningen.

Den bør også plasseres minst 60 mm over grenene, slik at ikke sensorene aktiveres.

Vær oppmerksom på at brukeren kanskje strekker seg diagonalt over for å nå såpen, så det er viktig at ikke denne ruten går gjennom følesonen.

Figur G/H

Vannsluk

På grunn av luft og vann i høy hastighet i umiddelbar nærhet, kan litt vann og såpe spres seg utenfor servantens dimensjoner. For å avhjelpe denne effekten, anbefaler vi å følge retningslinjene nedenfor.

Baseprofil

En flat baseprofil vil resultere i dårlig drenering, noe som fører til mye spruting. For å få bedre drenering, skal du unngå servanter med flat bunn særlig med fokus på det umiddelbare området rundt dreneringshullet, minimum 60 mm i radius. [Figur G](#).

En skrå vinkel på minimum 6° fra kanten av dreneringshullet i vasken vil gi god drenering, som fører til redusert spruting (minimum 60 mm i radius). [Figur H](#).

Figur I/J/K

Overgang mellom bak- og forvegg og base

Overgangen mellom bak- og forvegg og basen bør vurderes. Bakveggen skal være 90° (eller tilnærmet) og ha en så skarp radius som mulig [Figur I](#). Buet geometri fører mest sannsynlig til mer vannsprut, og skrå overganger til for- og bakvegg bør unngås [Figur J/K](#).

Figur L

Avløp

Avløp med den mest åpne åpningen er anbefalt. Gitter eller den perforerte typen avløp bør unngås da de begrenser drenering av såpevann (skum). Ikke bruk propper i avløpet på servanter.

Figur M

Temperaturkontroll av vann

Hvis du kobler til vanntilførsel med varmt og kaldt vann, må du installere en blandeventil. Hvis du kobler til vanntilførsel med kun kaldt vann, må du installere et varmeapparat.

Vannforsyningen til dette produktet må være utstyrt med en temperaturkontrollenhet i lokale forskrifter.

A= Blandeventil
B= Varm og kald tilførsel
C= Ønsket temperatur ut
D= Isolasjonsventil
E= Varmeapparat
F= Kald tilførsel inn

Additional Information

Installasjon

Ikke bruk tetningsmidler når du fester enheten til veggen.

Sørg for at strøm, varmt/kaldt vann og avløpsrør er klare for tilkobling. Strøm- og vanntilførsel må være behørig isolert slik at utstyret kan slå av for installasjon og service.

Elektrisk

Inngangsspenning/Frekvens: rådfør deg med merkeplaten.

Isolert med brytersikring eller RCD etter behov.

Strøm 6,6 A.

Kabelspesifikasjon: PVC med dobbel kjerne + PVC med enkel kjerne (jording).

Lokale elektriske forskrifter må følges ved installering eller reparasjon av produktet.

Nominell effekt: rådfør deg med merkeplaten.

Driftstemperatur: 0° – 40°C.

Strømforbruk i ventemodus: mindre enn 0,5 W.

Maksimal h.o.h.: 2 000 meter.

Vanndrift

Vannføring: 4 l/min normalt tilpasset kranfilter. 1,9 l/m med kranfilter for lav vannføring, som følger med produktet. Vanntrykket må være: 1-8 bar. 1/2" BSP isolert ventil kreves for service.

Hold den sekundære returledningen for varmt vann så nære blandeventilen som mulig for å redusere risikoen for vekst av Legionella-bakterier.

Automatisk vannskylling

Produktet er utstyrt med automatisk vannskylling som aktiveres i 60 sek. 24 timer etter siste gangs bruk. Dette bidrar til å redusere stillestående vann og bakteriespredning i produktet.

Sørg for at produktet alltid er installert over en fungerende vask med tilsluttet avløp.

Renslighet og biologisk vekst i sammenheng med vannforsyning

I noen land er det regler eller retningslinjer som krever at temperaturkontrollerte vannforsyningssystemer (for eksempel et slikt som leveres til Dyson Airblade Wash+Dry håndtørker) skal rengjøres regelmessig for å redusere mulig biologisk vekst. For at disse forskriftene skal kunne oppfylles er Dyson Airblade Wash+Dry håndtørker utformet og testet for å tåle innvendig rengjøring både med varmt vann opp til 95 °C og med natriumhypokloritt i en konsentrasjon på 0,45 %.

Se landsspesifikke regelverk og anbefalinger for vannforsyningssystemer for å finne gjeldende informasjon om rengjøring av vannforsyning og biologisk vekst.

Når du rengjør Dyson Airblade Wash+Dry håndtørker innvendig, må du være oppmerksom på eventuelle sikkerhetsmessige hensyn ved bruk av varmt vann eller kjemikalier. Dyson skal ikke holdes ansvarlig for skader forårsaket av denne prosessen.

Grundig testing

Dyson Airblade Wash+Dry håndtørkeren har gjennomgått grundige tester for å sikre at den tåler betydelig press og sammenstøt som er typiske i et kommersielt og offentlig bademiljø.

Steg for steg

Figur 1

Plassering

Plasser kranen over midten av servanten (Fig. 1).

Bor et hull på 35 mm diameter i arbeidsflaten ved behov.

Figur 2

Installasjon av kran

Skyv gummipakningen på 1 mm inn på kranrøret (Fig. 2a).

Før kranrøret og den tilkoblede vannslangen og kommunikationskabelen gjennom hullet i arbeidsflaten. Påse at gummipakningen på 1 mm sitter jevnt og flatt under kranen.

Påse at kranen er riktig plassert over servanten.

Skyv gummipakningen på 3,5 mm inn på kranrøret.

Sett skruene i låseringen av messing og trekk dem lett til for å holde dem på plass.

Skyv metallskiven på kranrøret.

Skrus låsemutteren av messing inn på kranrøret. La det være et gap på 5 mm eller mindre mellom metallskiven og låsemutteren av messing.

Trekk skruene til for hånd gjennom låsemutteren av messing og inn i metallskiven.

A= 1 mm gummipakning
B= Kranrør
C= Vannslange
D= Sensorkabel
E= 3,5 mm pakning
F= Metallskive
G= Låsemutter av messing
H= 2 x skruger

Figur 3

Installasjon av slange

Skyv den grå slangen opp over vannslangen og sensorkabelen (Fig. 3a).

Før vannslangen gjennom det venstre utgangshullet i slangegjennomføringen (Fig. 3b).

Bruk en tang for å trekke vannslangen varsomt gjennom til den hvite, heltrukne linjen (Fig. 3c).

Påse at maljen på vannslangen sitter godt i slangegjennomføringen, slik at det er lufttett (Fig. 3b).

Før sensorkabelen gjennom det høyre utgangshullet og trekk forsiktig (Fig. 3b). IKKE bruk en tang, da dette kan skade de elektriske koblingene (Fig. 3c). Påse at maljen på kabelen sitter godt i slangegjennomføringen, slik at det er lufttett (Fig. 3d). Du kan bruke silikonfett for å forenkle monteringen.

Skrus den øvre slangekragen på kranrøret. Stram den til for hånd (Fig. 3e).

A= Grå slange
B= Vannslange
C= Sensorkabel

Figur 4

Klaring for installasjon av bakplate

Ta motorbrønnen av bakplaten ved å trykke inn den røde utløseren i bunnen og løfte opp (Fig. 4a). Oppbevar motorbrønnen trygt til den skal brukes.

Fjern vannrørsdekslet og strømdekslet fra bakplaten med en skrutrekker Torx T15 (Fig. 4b og 4c). Sett dem til side og oppbevar dem trygt sammen med festeordningene til de skal brukes.

Figur 5

Montering av bakplate og slange

Bakplaten kan plasseres på tre ulike måter: vertikalt eller 90° horisontalt mot venstre eller høyre. Klaringen fra gulvet skal være på minst 100 mm (Fig. 5a).

Plasser bakplaten slik at slangen lett kan festes.

IKKE plasser motoren opp ned med slangen pekende nedover, og ikke plasser den over kranen (Fig. 5b).

Marker bakplatens plassering på veggen.

Kabelinngang

Kabelinngangen kan enten være fra sokkelen eller fra veggen og direkte inn i enhetens bakside via den bakre kabelinngangen. Bestem hva som er aktuelt før du starter.

Hvis du velger kabelinnføring gjennom bunnen, bruker du en tang til å forsiktig nappe ut den forhåndsmerkerte utstansingen i bunnen av bakplaten. Fil kantene etter at du har fjernet utstansingen (Fig. 5c).

NO

Vanningang

Vanntilkobling gjøres på venstre side av bakplaten. Vannkoblingen kan ikke roteres innenfor bakplaten (Fig. 5d).

Figur 6

Installasjon av bakplate

Hvis kablet skal føres direkte inn i bakplaten fra veggen, må du trekke gjennom strømledningen før du fester bakplaten til veggen.

Fest bakplaten til veggen med egnede festeordninger (Fig. 6).

Ikke bruk forsenkede skruer.

Figur 7

Tilkobling av sensorkablet

Den grå slangen klemmes fast i bakplaten.

Plugg sensorkablet i slangen inn i koblingen i bakplaten (Fig. 7). Kontroller koblingens plassering: De to flikene må være på linje med hverandre. Påse at kablet føres riktig i bakplaten.

Figur 8

Tilkobling av vannslangen

Kutt vannslangen til riktig størrelse ved den stiplede, hvite linjen (Fig. 8a).

Skyv slangeklemmen (følger med) inn på vannslangen (Fig. 8b).

Fjern de 2 x stjerneskrueene og løsne solenoiden fra bakplaten (Fig. 8b).

Fest vannslangen til solenoiden (Fig. 8c).

Klem solenoiden tilbake på bakplaten og fest de 2 skrueene (Fig. 8d).

Stram slangeklemmen og sørg for at solenoidkablet er riktig plassert i festekanalen.

Figur 9

Tilkobling av den elektriske tilførselen

Før strømforsyningen til bakplaten med godkjent, fleksibel eller stiv gjennomføring og festeordninger. Påse at strømkablet er lang nok til at det kan kobles til rekkeklemmen montert på bakplaten.

Før kablet inn i bakplaten og stram kabelgjennomføringen.

Strip kablet til en passende lengde og fest de to lederne i sine respektive L og N klemmer som vist i Fig. 9. Sørg for riktig posisjonering av kabler før du fortsetter.

Figur 10

Monter elektrisk deksel på nytt

Fest elektronikkdekslet og stram til med de seks 6 medfølgende festeordningene. Påse at ingen av kablene sitter fast.

Figur 11

Tilkobling av varmt-/kaldtvannstilførselen.

Påse at rusk, kobberspon og lignende i vannforsyningen har blitt fullstendig spylt ut før du kobler til bakplaten. Hvis dette ikke gjøres, kan det føre til skade på magnetpoleventilen.

Koble den isolerte varmt-/kaldtvannstilførselen til bakplaten.

Skru på vannet.

Kontroller for lekkasjer ved hovedvanninntaket og kranens vannslangekobling.

Kontroller også for lekkasjer ved solenoidkoblingen.

Figur 12

Slå på strømtilførselen

Slå på strømtilførselen til apparatet.

KALIBRERINGSSYKLUS: Når den er installert, vil kranen gå gjennom en 30 sekunders kalibreringssyklus.

Før hånden under sensoren på kranen for å starte vanntilførselen (Fig. 12a).

Check for leaks as per Fig. 11.

Fest vannrørdekslet på bakplaten ved bruk av de to medfølgende festeordningene (Fig. 12b).

Figur 13

Montering av motorbrønnen

Heng motoren øverst på elektronikkdekslet. Sving den nedover til den klikker på plass, som vist. Skyv den godt inn (Fig. 13a).

VALGFRITT: Det følger med en skrue for å sikre den røde utløserknappen og hindre uønsket fjerning av motorbrønnen.

Test at enheten fungerer som den skal.

Feste motorbrønnen til bakplaten (valgfritt).

For å fjerne filteret bruker du en skrutrekker for å løsne tappene på filteret (Fig. 13b).

Fest motorbrønnen til bakplaten med den medfølgende sikkerhetsskruen (Fig. 13c).

Sett på plass filteret og kontroller at det klikker på plass (Fig. 13d).

Test installasjonen

Test om håndtørkeren fungerer som den skal:

- Plasser hendene på venstre eller høyre side av midten for å aktivere håndtørkeren.
- Beveg hendene sakte frem og tilbake i luftstrømmen. Snu hendene slik at luftstrømmen treffer både håndflatene og håndbakene.
- Beveg hendene frem og tilbake sakte gjennom luften, snu dem så både håndflate og overside blir utsatt for luftstrømmen.

Feilsøking

Håndtørkeren starter ikke:

- Sjekk sikring/automatsikring og om strøm og vann er tilkoblet.
- Påse at rengjøringsshetten er fjernet og at sensorene er rene og uhindret.
- Slå enheten av og på.

Håndtørkeren slår seg uregelmessig på og av:

- Slå enheten av og på.
- Sjekk at det ikke er noen propp servanten, og fjern proppen hvis den er satt i.
- Forsikre deg om at sensorene er rene.
- Sjekk at sensorledningen fra kranen er godt tilkoblet.

Håndtørkeren kutter noen ganger ut i bruk:

- Slå enheten av og på.
- Forsikre deg om at sensorene er rene.
- Kontroller at luftinntakene er rene og uten støv. Hvis luftinntakene er støvete, fjerner du ganske enkelt støvet.
- Påse at luftinntakene ikke er blokkert, og at de har nok klaring.

Tørketiden har økt:

- Inspiser luftinntakene for støv, og fjern eventuelt dette.
- Inspiser filteret og skift det ut etter behov.
- Påse at slangen sitter godt festet til foten av kranen, og at det ikke er noen lekkasje.

Luftstrømmen er varmere enn normalt:

- Inspiser luftinntakene for støv, og fjern eventuelt dette.
- Inspiser filteret og skift det ut etter behov.
- Påse at slangen sitter godt festet til foten av kranen, og at det ikke er noen lekkasje.

Luft strømmer hele tiden:

- Sjekk om det ligger noe i servanten, og fjern dette etter behov.
- Påse at sensorene er rene og uhindrede.
- Inspiser filteret og skift det ut etter behov.
- Påse at slangen sitter godt festet til foten av kranen, og at det ikke er noen lekkasje.

Det kommer ikke luft:

- Slå enheten av og på.
- Sjekk sikring/automatsikring og om strømmen er tilkoblet.
- Forsikre deg om at sensorene er rene.
- Påse at luftslangen sitter godt festet til basen av kranen og at det ikke er noen lekkasje.
- Sjekk at sensorledningen fra kranen er godt tilkoblet.

Det renner vann fra kranen hele tiden:

- Påse at sensorene er rene og uhindrede.

Det renner ikke noe vann fra kranen:

- Påse at strøm- og vannforsyning er tilkoblet og slått på, og at isolasjonsventilen er åpen.
- Påse at kranfilteret er rent. Ta det ut og rengjør/skift det etter behov.

Vannet fra kranen er altfor varmt eller kaldt.

- Kontroller om blandeventilen er innstilt på ønsket temperatur.
- Ved behov for ytterligere støtte og informasjon kan du ta kontakt med Dyson kundeservice eller besøke www.dyson.com.

PL

Spis treści

PL

Instrukcja bezpieczeństwa 205 ⚠

Zawartość opakowania 206

Czynności przedmontażowe 207

Montaż

Instrukcje szczegółowe 209

Test instalacji 211

Wykrywanie i usuwanie usterek 211

INSTRUKCJA BEZPIECZEŃSTWA

PRZECZYTAJ I ZACHOWAJ NINIEJSZĄ INSTRUKCJĘ

PRZED ROZPOCZĘCIEM MONTAŻU I UŻYTKOWANIA TEGO URZĄDZENIA NALEŻY ZAPOZNAĆ SIĘ ZE WSZYSTKIMI INSTRUKCJAMI I ZNAKAMI OSTRZEGAWCZYMI ZAMIESZCZONYMI W NINIEJSZEJ INSTRUKCJI MONTAŻU I PODRĘCZNIKU UŻYTKOWNIKA.

OSTRZEŻENIE

WSZELKIE PRACE MONTAŻOWE I NAPRAWCZE (ZARÓWNO HYDRAULICZNE, JAK I ELEKTRYCZNE) POWINNY BYĆ WYKONYWANE PRZEZ WYKWALIFIKOWANĄ OSOBĘ LUB SERWISANTA FIRMY DYSON, ZGODNIE Z LOKALNYMI NORMAMI I PRZEPISAMI.

OSTRZEŻENIE

NIEBEZPIECZEŃSTWO PORAŻENIA PRĄDEM ELEKTRYCZNYM!

W PRZYPADKU ZDJĘCIA OBUDOWY LUB NIEPRAWIDŁOWEGO POSTĘPOWANIA Z NIĄ, WEWNĘTRZNE PODZESPOŁY URZĄDZENIA MOGĄ STANOWIĆ ZAGROŻENIE DLA ZDROWIA ALBO ULEC TRWAŁEMU USZKODZENIU.

URZĄDZENIE NALEŻY UZIEMIĆ, ABY ZMNIJSZYĆ RYZYKO PORAŻENIA PRĄDEM, ODNIESIENIA OBRAŻEŃ LUB WYWOŁANIA POŻARU.

Przed rozpoczęciem jakichkolwiek prac montażowych należy spełnić poniższe warunki:

- Sprawdzić, czy parametry źródła zasilania elektrycznego odpowiadają parametrom podanym na tabliczce znamionowej.
- Instalację stałą należy wyposażyć w rozwiązanie do rozłączania pełnobiegunowego, zgodnie z lokalnymi przepisami dotyczącymi okablowania elektrycznego.
- Podłączyć źródło zasilania elektrycznego za pomocą odpowiedniego przewodu i złączek elektrycznych. Upewnić się, że przewód i kable są wystarczająco długie, aby połączyć płytę tylną i listwę zaciskową. W przypadku bocznego wejścia kabla nie należy stosować sztywnego metalowego przewodu.

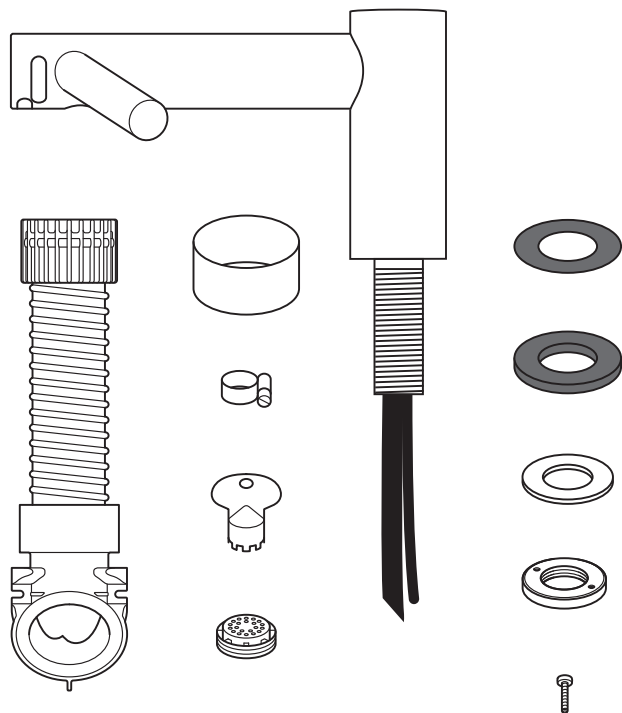
OSTRZEŻENIE

Podczas wypakowania elementów należy zachować ostrożność. Ich ostre krawędzie mogą spowodować zranienia.

DO CZYSZCZENIA URZĄDZENIA I JEGO OKOLICY NIE WOLNO UŻYWAĆ MYJEK CIŚNIENIOWYCH.

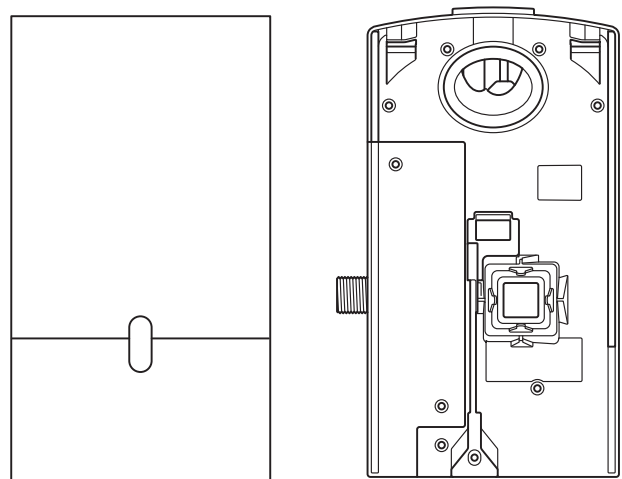
Zawartość opakowania

PL



x2  

x1  



Wymagane narzędzia:

Mały wkrętak gwiazdkowy Phillips

Wkrętak płaski 7 mm

Wkrętak płaski 2,5 mm

Wkrętak Torx T15

Taśma miernicza i ołówek

Wiertarka ręczna

Odpowiednie wiertło

Szczypce / ściągacz izolacji

Nóż

Klucz nastawny

Czynności przedmontażowe

Rys. A

Planowanie montażu

Konstrukcja suszarki do rąk Dyson Airblade Wash+Dry przewiduje montowanie jej silnika na ścianie pod umywalką — patrz rys. A(i).

Aby uniknąć uszkodzeń, które mogą unieważnić gwarancję zaleca się zamontowanie wbudowanego filtra.

- Zapewnij odpowiednią przestrzeń dostępową na potrzeby montażu i serwisowania — patrz rys. A(ii).
- Urządzenie jest przeznaczone do montażu wyłącznie w suchych pomieszczeniach zamkniętych.
- Należy zapoznać się z lokalnymi oraz krajowymi normami i przepisami dotyczącymi dostępności, w celu uzyskania wytycznych w zakresie montażu. Obowiązek zapewnienia zgodności z przepisami leży po stronie monterów. Upewnij się, że urządzenie jest montowane zgodnie ze wszystkimi normami i/lub przepisami budowlanymi.
- Instalację stałą należy wyposażyć w rozwiązanie do rozłączania pełnobiegunowego, zgodnie z lokalnymi przepisami dotyczącymi okablowania elektrycznego.
- Przed rozpoczęciem prac montażowych lub serwisowych odłącz źródło zasilania i źródło wody.
- Należy się upewnić, że bezpośrednio za obszarem montażowym lub wiercenia nie ma rur (gazowych, wodnych, wentylacyjnych) ani kabli elektrycznych, przewodów czy kanałów.

- W trakcie prac montażowych/naprawczych firma Dyson zaleca używanie w razie potrzeby odzieży ochronnej, okularów ochronnych i materiałów ochronnych.
- Urządzenie należy trwale podłączyć do źródła wody.

Użytkowanie w obszarach przygotowania żywności

Szczególne warunki montażu są wymagane w obszarach przygotowania żywności, gdzie wymagane jest całkowite zamknięcie komory silnika oraz węży w nadającej się do czyszczenia obudowie albo umieszczenie komory silnika po drugiej stronie ściany, zapewnienie odpowiedniej ilości wolnego miejsca do utrzymania czystości pod urządzeniem (jeśli dotyczy) oraz możliwości zamontowania urządzenia w odległości co najmniej 2,5 metra od niezabezpieczonej żywności lub niezabezpieczonych powierzchni mających kontakt z żywnością.

Przed instalacją należy zapoznać się z zaleceniami dotyczącymi umywalki dostępnymi pod adresem www.dyson.pl

Rys. B

Wytyczne dotyczące wyboru umywalki

Za pomocą specjalnie opracowanej metody inżynierowie firmy Dyson przetestowali szeroką gamę umywalk pod kątem ich kompatybilności z suszarką do rąk Dyson Airblade Wash+Dry. Informacje o zalecanych umywalkach zawiera przewodnik na stronie www.dyson.pl.

Najlepszym wyborem są umywalki wykonane z porcelany lub szcztokowanego metalu. Należy unikać umywalk z polerowaną powierzchnią, np. polerowanym na wysoki połysk chromem.

Minimalne wymiary umywalki — patrz rys. B.

Rys. C/D/E

Montaż baterii umywalkowej

Odległość między górną krawędzią umywalki a środkiem baterii umywalkowej powinna wynosić od 100 mm do 155 mm — patrz rys. C.

Odległość między środkiem baterii umywalkowej a ścianą boczną powinna wynosić co najmniej 290 mm. W przypadku montażu wielu baterii umywalkowych obok siebie odległość między środkami baterii umywalkowych powinna wynosić co najmniej 580 mm. Zapewnia to wystarczającą ilość miejsca do montażu komory silnika oraz miejsca dla użytkowników — patrz rys. D.

Nie umieszczaj czujnika wody skierowanego w dół nad powierzchnią polerowaną na wysoki połysk, taką jak otwór odpływowy — patrz rys. E.

Rys. F

Mydło i położenie dozownika mydła

W celu zapewnienia maksymalnego komfortu firma Dyson zaleca stosowanie mydła w żelu.

Strefa czujników podczerwieni aktywujących nadmuchiwanie powietrza rozciąga się wzdłuż każdego ramienia baterii umywalkowej. Aby uniknąć przypadkowej aktywacji, należy wziąć pod uwagę drogę do dozownika mydła pokonywaną przez rękę użytkownika.

Dozownik należy umieścić co najmniej 60 mm poza obszarem baterii umywalkowej, tak aby użytkownik sięgał do dozownika z boku ramienia.

Należy go również umieścić co najmniej 60 mm nad ramieniem, aby nie dochodziło do aktywacji czujników.

Należy pamiętać, że użytkownik może sięgać po mydło na ukos, dlatego ta droga nie może prowadzić przez strefę czujników.

Rys. G/H

Odpływ wody

Z uwagi na bliskość nadmuchu powietrza i źródła wody istnieje ryzyko, że woda i mydło będą rozpryskiwane poza obszar umywalki. Aby zminimalizować to ryzyko, zalecamy postępowanie zgodne z poniższymi wytycznymi.

Profil podstawy

Płaski profil podstawy spowoduje niewystarczający odpływ wody i duże rozpryski. Aby poprawić odpływ wody, należy unikać umywalk o płaskiej podstawie, szczególnie w bezpośrednim obszarze otworu odpływowego (tj. w promieniu co najmniej 60 mm) — patrz rys. G.

Co najmniej 6° kąt nachylenia od krawędzi otworu odpływowego umywalki (w promieniu co najmniej 60 mm) umożliwi wystarczający odpływ wody i zmniejszy rozpryski — patrz rys. H.

Rys. I/J/K

Przejście między podstawą a tylną i przednią ścianką

Należy również wziąć pod uwagę przejście między podstawą a tylną i przednią ścianką. Tylna ścianka powinna być pod kątem możliwie jak najbliższym 90°, a promień przejścia powinien być możliwie jak najmniejszy — patrz *rys. I*. Krzywizny łatwiej powodują rozpryski — patrz *rys. J*. Duże promienie przejścia między podstawą a tylną i przednią ścianką są niezalecane — patrz *rys. K*.

Rys. L

Otwór odpływowy

Zalecane są otwory odpływowe o możliwie dużym świetle. Należy unikać otworów odpływowych z kratkami i perforowanych, ponieważ ograniczają one przepływ wody z pianą mydlaną. W otworach odpływowych umywalk nie należy stosować korków.

Rys. M

Sterowanie temperaturą wody

W razie podłączenia do źródła ciepłej i zimnej wody należy zamontować zawór mieszający. W razie podłączenia tylko do źródła zimnej wody należy zamontować podgrzewacz wody.

Źródło wody niniejszego produktu musi być wyposażone w urządzenie do sterowania temperaturą, zgodnie z lokalnymi przepisami.

A= zawór mieszający

B= źródło ciepłej i zimnej wody

C= wyjście wody o żądanej temperaturze

D= zawór odcinający

E= podgrzewacz wody

F= wejście zimnej wody

Informacje dodatkowe

Montaż

Podczas mocowania urządzenia do ściany nie wolno używać masy uszczelniającej.

Należy zapewnić dostęp do źródła prądu i wody mieszanej, a także do instalacji ściekowej. Aby odłączyć dopływ prądu i wody przed montażem oraz pracami serwisowymi, wymagana jest odpowiednia izolacja.

Instalacja elektryczna

Napięcie wejściowe / częstotliwość: Zapoznaj się z danymi na tabliczce znamionowej.

Instalacja musi być zabezpieczona włącznikiem elektrycznym z wbudowanym bezpiecznikiem lub bezpiecznikiem różnicowoprądowym RCD.

Prąd o natężeniu 6,6 A.

Dane techniczne kabla: Dwużyłowy przewód PVC + jednożyłowy przewód PVC (uziemiające).

W trakcie prac montażowych lub naprawczych należy przestrzegać lokalnych przepisów dotyczących instalacji elektrycznych.

Moc znamionowa: Zapoznaj się z danymi na tabliczce znamionowej.

Zakres temperatury roboczej: 0°C do 40°C.

Pobór mocy w trybie gotowości: poniżej 0,5 W.

Maksymalna wysokość montażu: 2000 m n.p.m.

Instalacja wodna

Prędkość przepływu wody: 4 l/min przy zamontowanym napowietrzaczu standardowym. 1,9 l/min przy napowietrzaczu o małym przepływie dostarczonym z produktem.

Wymagane ciśnienie wody: 1–8 barów.

Do prac serwisowych wymagany jest zawór odcinający ze złączem BSP 1/2".

Zawór ciepłej wody powinien znajdować się możliwie jak najbliżej zaworu mieszalnika wody, aby obniżyć ryzyko wzrostu bakterii Legionella.

Automatyczne płukanie

Urządzenie jest wyposażone w automatyczny mechanizm płukania, który włącza się na 60 sekund po 24 godzinach od ostatniego momentu użytkowania. Zapobiega to zastojom wody i pozwala ograniczyć rozwój bakterii wewnątrz urządzenia.

Urządzenie musi zawsze znajdować się nad działającą umywalką, do której jest podłączony drożny odpływ.

Czystość źródła wody i wzrost drobnoustrojów

W niektórych krajach obowiązują przepisy lub wytyczne wymagające okresowego czyszczenia systemów źródła wody ze sterowaniem temperaturą (takich jak wykorzystywane przez suszarkę do rąk z baterią umywalkową Dyson Airblade Wash+Dry) w celu uniknięcia wzrostu drobnoustrojów. Dla zapewnienia zgodności z takimi przepisami suszarka do rąk Dyson Airblade Wash+Dry została zaprojektowana w sposób umożliwiający czyszczenie jej wnętrza zarówno gorącą wodą o temperaturze do 95°C, jak i podchlorynem sodu w stężeniu 0,45%.

Informacje dotyczące harmonogramu czyszczenia urządzenia w celu zapewnienia czystości źródła wody i uniknięcia wzrostu drobnoustrojów można znaleźć w obowiązujących przepisach oraz zaleceniach dotyczących systemu źródła wody.

Czyszcząc wnętrze suszarki do rąk Dyson Airblade Wash+Dry z użyciem gorącej wody lub substancji chemicznych, należy przestrzegać wszelkich środków ostrożności. Firma Dyson nie ponosi odpowiedzialności za żadne obrażenia ciała spowodowane przez ten proces.

Próby wytrzymałościowe

Suszarka do rąk Dyson Airblade Wash+Dry przeszła rygorystyczne testy w celu zapewnienia, że może wytrzymać znaczne siły i oddziaływania typowe dla komercyjnych środowisk i publicznych toalet.

Instrukcje szczegółowe

Rys. 1

Umiejscowienie

Ustaw baterię nad środkiem umywalki — patrz rys. 1.

W razie potrzeby wytnij w powierzchni roboczej otwór o średnicy 35 mm.

Rys. 2

Montaż baterii

Nasuń uszczelkę gumową 1 mm na trzpień baterii — patrz rys. 2a.

Przeprowadź trzpień baterii i dotłączoną rurę wodną oraz kabel komunikacyjny przez otwór w powierzchni roboczej. Upewnij się, że uszczelka gumowa 1 mm jest płasko i równo osadzona pod baterią.

Upewnij się, że bateria znajduje się w odpowiedniej pozycji nad zlewem.

Nasuń uszczelkę gumową 3,5 mm na trzpień baterii.

Wprowadź śruby w mosiężny pierścień mocujący i dokręć lekko, aby pozostały na miejscu.

Nasuń metalową podkładkę na trzpień baterii. Przykręć mosiężną nakrętkę zabezpieczającą na trzpień baterii, pozostawiając nie więcej niż 5 mm odstępu między metalową podkładką a mosiężną nakrętką zabezpieczającą.

Ręcznie dokręć śruby przechodzące przez mosiężną nakrętkę zabezpieczającą i metalową podkładkę.

A= gumowa uszczelka 1 mm
B= trzpień baterii
C= rura wodna
D= kabel czujnika
E= uszczelka 3,5 mm
F= metalowa podkładka
G= mosiężna nakrętkę zabezpieczająca
H= 2 × śruba

Rys. 3

Montaż węża

Nasuń szary wąż na rurę wodną i kabel czujnika — patrz rys. 3a.

Przeprowadź rurę wodną przez lewy otwór wylotowy w kanale węża — patrz rys. 3b.

Użyj szczypiec, aby delikatnie przepchnąć rurę wodną aż do ciągłej białej linii — patrz rys. 3c.

Upewnij się, że pierścień zabezpieczający na rurze wodnej jest solidnie osadzony w kanale węża i zapewnia szczelność — patrz rys. 3b.

Przeprowadź kabel czujnika, przeciągając go delikatnie przez prawy otwór wyjściowy — patrz rys. 3b. NIE używaj szczypiec, ponieważ mogą one uszkodzić połączenia elektryczne — patrz rys. 3c. Upewnij się, że pierścień zabezpieczający na kablu jest solidnie osadzony w kanale węża i zapewnia szczelność — patrz rys. 3d. Podczas mocowania można używać smaru silikonowego.

Nakręć górny kotnierz węża na trzpień baterii i dokręć go ręcznie — patrz rys. 3e.

A= szary wąż
B= rura wodna
C= kabel czujnika

Rys. 4

Przygotowanie do montażu płyty tylnej

Zdejmij komorę silnika z płyty tylnej, naciskając znajdujący się na dole czerwony uchwyt zwalniający i unosząc komorę — patrz rys. 4a. Umieść komorę silnika w bezpiecznym miejscu do czasu, kiedy będzie potrzebna.

Za pomocą wkrętaka Torx T15 zdejmij osłonę rury wodnej i pokrywę części elektrycznych z płyty tylnej — patrz rys. 4b i 4c. Umieść je w bezpiecznym miejscu razem z elementami mocującymi do czasu, kiedy będą potrzebne.

Rys. 5

Planowanie montażu płyty tylnej

Płytę tylną można ułożyć w jednej z trzech pozycji: pionowej lub przechylonej o 90° w lewo albo w prawo. Odstęp od podłogi powinien wynosić co najmniej 100 mm — patrz rys. 5a.

Umieść płytę tylną tak, aby można było podłączyć do niej wąż. NIE umieszczaj silnika w położeniu odwrotnym, z wężem zwróconym w dół, ani nad baterią — patrz rys. 5b.

Oznacz położenie płyty tylnej na ścianie.

Wejście kabla

Kabel może wychodzić od spodu lub ze ściany bezpośrednio do tylnej części urządzenia przez tylny punkt wejścia kabla. Przed rozpoczęciem należy wybrać jedną z tych opcji.

Jeżeli kabel ma wchodzić przez podstawę, za pomocą szczypiec delikatnie usuń z podstawy płyty tylnej oznaczony fabrycznie wyłamany element. Wygładź krawędzie powstałe po wyłamaniu elementu — patrz rys. 5c.

Dopływ wody

Wodę podłącza się od lewej strony płyty tylnej. Nie należy obracać złącza wodnego względem płyty tylnej — patrz rys. 5d.

Rys. 6

Montaż płyty tylnej

Jeśli kabel ma wychodzić bezpośrednio ze ściany do płyty tylnej, przed zamocowaniem jej do ściany trzeba przeciągnąć kabel.

Zamontuj płytę tylną na ścianie za pomocą odpowiednich elementów mocujących — patrz rys. 6.

Nie używaj śrub z łbem wpuszczanym.

Rys. 7

Podłączanie kabla czujnika

Przymocuj szary wąż do płyty tylnej za pomocą zacisku.

Podłącz kabel czujnika w wężu do złącza w płycie tylnej — patrz rys. 7. Sprawdź ustawienie złącza — dwa zatrzaski muszą się znaleźć w jednej linii. Upewnij się, że kabel jest odpowiednio ułożony w płycie tylnej.

Rys. 8

Podłączanie rury wodnej

Dotnij rurę wodną do białej przerywanej linii, jak pokazano na rys. 8a.

Nasun dostarczoną obejmę węża na rurę wodną — patrz rys. 8b.

Odkręć 2 śruby Phillips i odczep elektrozawór od płyty tylnej — patrz rys. 8b.

Podłącz rurę wodną do elektrozaworu — patrz rys. 8c.

Ponownie zamocuj elektrozawór na płycie tylnej i przykręć za pomocą 2 śrub — patrz rys. 8d.

Zaciśnij obejmę węża i upewnij się, że kabel elektrozaworu jest prawidłowo ułożony w kanale zabezpieczającym.

Rys. 9

Podłączanie do źródła prądu

Podłącz źródło zasilania do płyty tylnej za pomocą zatwierdzonego elastycznego lub sztywnego przewodu oraz złączek elektrycznych. Upewnij się, że kabel zasilający jest na tyle długi, że będzie można go podłączyć do listwy zaciskowej zamontowanej na płycie tylnej.

Podłącz kabel do płyty tylnej i dokręć wpust kablowy.

Zdejmij izolację z kabla na odpowiedniej długości i przymocuj przewody napięciowe i neutralne do odpowiednich listew zaciskowych, jak pokazano na rys. 9. Przed przejściem do kolejnych czynności upewnij się, że kable są ułożone prawidłowo.

Rys. 10

Ponowny montaż pokrywy części elektrycznych

Nałóż pokrywę części elektrycznych i przymocuj ją za pomocą 6 dostarczonych elementów mocujących, upewniając się, że żadne przewody nie zostały zakleszczone.

Rys. 11

Podłączanie źródła wody mieszanej

UWAGA: Przed podłączeniem do płyty tylnej należy się upewnić, że z instalacji wodociągowej wyłukano wszystkie zanieczyszczenia, drobinki miedzi itp. Niespełnienie tego warunku może doprowadzić do uszkodzenia elektrozaworu.

Podłącz wyizolowane źródło wody mieszanej do płyty tylnej.

Włącz wodę.

Sprawdź, czy główny wlot wody i połączenie rury wodnej z baterią umywalkową nie przecieka.

Pod tym samym kątem sprawdź połączenie elektrozaworu.

Rys. 12

Włączanie zasilania

Włącz zasilanie urządzenia.

CYKL KALIBRACJI: Po zamontowaniu baterii umywalkowej zostanie wykonany 30-sekundowy cykl kalibracji.

Umieść rękę pod czujnikiem baterii umywalkowej, aby popłynęła woda — patrz rys. 12a.

Przeprowadź kontrolę pod kątem nieszczelności zgodnie z rys. 11.

Zamocuj osłonę rury wodnej do płyty tylnej za pomocą 2 dostarczonych elementów mocujących — patrz rys. 12b.

Rys. 13

Montowanie komory silnika

Zahacz silnik o górę pokrywy części elektrycznych. Pociągnij go w dół aż do zamknięcia zatrzasków, jak pokazano na rysunku. Mocno dociśnij — rys. 13a.

OPCJONALNIE: Zestaw zawiera śrubę, która służy do zabezpieczenia czerwonego przycisku zwalniania i zapobiega przypadkowemu odłączeniu komory silnika.

Sprawdź, czy urządzenie działa prawidłowo.

Mocowanie komory silnika do płyty tylnej (opcjonalne).

Aby zdjąć filtr, za pomocą wkrętaka delikatnie zwolnij klapkę na filtrze, jak pokazano — rys. 13b.

Zamocuj komorę silnika do płyty tylnej za pomocą dołączonych śrub zabezpieczających — rys. 13c.

Podłącz ponownie filtr, upewniając się, że zatrzasknął się we właściwym położeniu — rys. 13d.

Test instalacji Wykrywanie i usuwanie usterek

Sprawdź suszarkę do rąk pod kątem prawidłowego działania:

- Umieść ręce pod środkową częścią baterii umywalkowej, aby uruchomić przepływ wody. Woda będzie płynąć, dopóki nie usuniesz rąk spod baterii.
- Umieść ręce po obu stronach baterii umywalkowej w celu uruchomienia suszarki do rąk.
- W strumieniu powietrza powoli przesuwaj ręce do tyłu i do przodu. Odwróć ręce, tak aby obie strony rąk były wystawione na działanie strumienia powietrza.

Suszarka do rąk się nie uruchamia:

- Sprawdź, czy włączony jest bezpiecznik/wyłącznik oraz czy podłączone jest źródło zasilania i źródło wody.
- Upewnij się, że nakładka zabezpieczająca jest zdjęta oraz że czujniki są czyste i niezastłonięte.
- Włącz i wyłącz urządzenie.

Suszarka do rąk włącza i wyłącza się w sposób nieregularny:

- Włącz i wyłącz urządzenie.
- Upewnij się, że korek nie znajduje się w umywalce lub go stamtąd wyjmij.
- Sprawdź, czy czujniki są czyste.
- Sprawdź, czy kabel czujnika wychodzący z baterii umywalkowej jest dobrze podłączony.

Suszarka do rąk czasami się wyłącza podczas używania:

- Włącz i wyłącz urządzenie.
- Sprawdź, czy czujniki są czyste.
- Sprawdź, czy wloty powietrza nie są zabrudzone ani zakurzone. W przypadku, gdy wloty powietrza są zakurzone, należy po prostu usunąć kurz.
- Upewnij się, że wloty powietrza są drożne i że prześwit jest odpowiedni.

Czas suszenia się wydłużył:

- Sprawdź wloty powietrza pod kątem obecności kurzu i w razie potrzeby usuń kurz.
- Sprawdź filtr i w razie potrzeby go wymień.
- Upewnij się, że wąż jest dobrze przymocowany do podstawy baterii umywalkowej i że nie ma żadnych wycieków.

Temperatura powietrza jest wyższa niż zazwyczaj:

- Sprawdź wloty powietrza pod kątem obecności kurzu i w razie potrzeby usuń kurz.
- Sprawdź filtr i w razie potrzeby go wymień.
- Upewnij się, że wąż jest dobrze przymocowany do podstawy baterii umywalkowej i że nie ma żadnych wycieków.

Powietrze jest wydmuchiwane nieustannie:

- Sprawdź umywalkę pod kątem obecności jakichkolwiek przedmiotów i w razie konieczności je usuń.
- Upewnij się, że czujniki są czyste i niezastłonięte.
- Sprawdź filtr i w razie potrzeby go wymień.
- Upewnij się, że wąż jest dobrze przymocowany do podstawy baterii umywalkowej i że nie ma żadnych wycieków.

Powietrze nie jest wydmuchiwane:

- Włącz i wyłącz urządzenie.
- Sprawdź, czy włączony jest bezpiecznik/wyłącznik oraz czy podłączone jest zasilanie.
- Sprawdź, czy czujniki są czyste.
- Upewnij się, że przewód powietrza jest dobrze przymocowany do podstawy baterii umywalkowej i że nie ma żadnych wycieków.
- Sprawdź, czy kabel czujnika wychodzący z baterii umywalkowej jest dobrze podłączony.

Z baterii umywalkowej nieustannie wypływa woda:

- Upewnij się, że czujniki są czyste i niezastłonięte.

Z baterii umywalkowej nie wypływa woda:

- Upewnij się, że źródło zasilania i źródło wody są włączone oraz że zawór odcinający jest otwarty.
- Upewnij się, że napowietrzacz nie jest zanieczyszczony. W razie potrzeby wyjmij go i oczyść lub wymień.

Woda wypływająca z baterii umywalkowej jest zbyt ciepła lub zbyt zimna:

- Sprawdź, czy zawór mieszający jest ustawiony na odpowiednią temperaturę.
- Aby otrzymać dalszą pomoc i dodatkowe informacje, skontaktuj się z działem obsługi klienta firmy Dyson lub odwiedź witrynę internetową www.dyson.pl

PT

Índice

PT

Instruções de segurança importantes 213 

Na caixa 214

Verificações de pré-instalação 215

Instalação

Passo a passo 217

Testar instalação 219

Resolução de problemas 219

INSTRUÇÕES DE SEGURANÇA IMPORTANTES

LEIA E GUARDE ESTAS INSTRUÇÕES

ANTES DE INSTALAR OU UTILIZAR ESTA UNIDADE, LEIA TODAS AS INSTRUÇÕES E MARCAÇÕES DE ALERTA NESTE GUIA DE INSTALAÇÃO E NO MANUAL DE INSTRUÇÕES.

AVISO

TODOS OS TRABALHOS DE INSTALAÇÃO E REPARAÇÃO (CANALIZAÇÃO E ELÉTRICOS) DEVEM SER EXECUTADOS POR UMA PESSOA QUALIFICADA OU UM TÉCNICO DE MANUTENÇÃO DA DYSON, DE ACORDO COM OS REGULAMENTOS OU NORMAS LOCAIS ATUAIS.

AVISO

RISCO DE CHOQUE ELÉTRICO!

SE O INVÓLUCRO FOR REMOVIDO OU MANUSEADO INDEVIDAMENTE, OS COMPONENTES INTERNOS DA UNIDADE PODEM CAUSAR FERIMENTOS OU FICAREM PERMANENTEMENTE DANIFICADOS.

ESTA UNIDADE DEVE SER LIGADA À TERRA PARA REDUZIR O RISCO DE INCÊNDIO, CHOQUE ELÉTRICO OU FERIMENTOS.

Antes de começar qualquer trabalho de instalação, deverá confirmar o seguinte:

- Verifique se o fornecimento elétrico corresponde ao indicado na placa de características.

- Um meio para desativação de todos os polos deve ser incorporado nas ligações fixas, de acordo com os regulamentos de ligações locais.
- Ligue o fornecimento de eletricidade utilizando uma conduta e acessórios elétricos adequados. Certifique-se de que a conduta e os fios são suficientemente compridos para ligar à placa traseira e ao bloco de terminais. Uma conduta de metal sólida não é adequada para a entrada lateral.

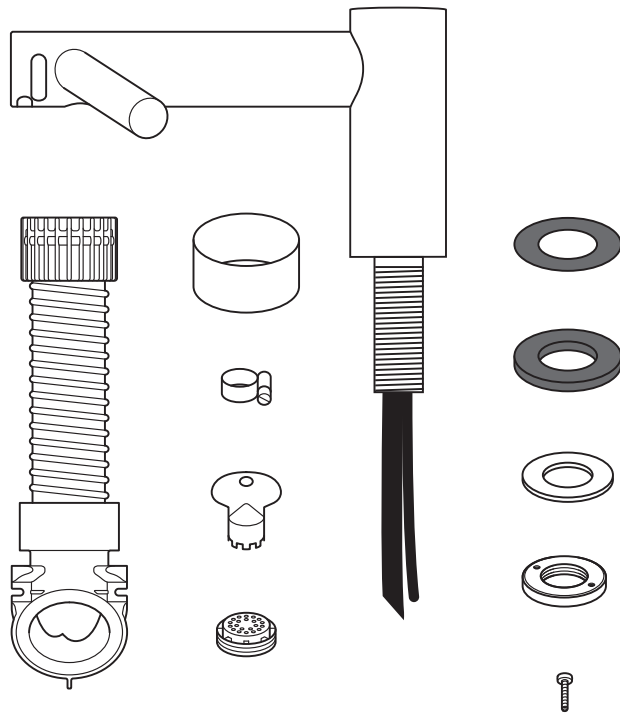
AVISO

Tenha cuidado quando desembalar os componentes. Podem existir arestas/cantos vivos que podem cortar ou causar danos.

NÃO USE EQUIPAMENTO DE LAVAGEM POR JATO DE ÁGUA PARA A LIMPEZA DESTA UNIDADE OU PRÓXIMO DA MESMA.

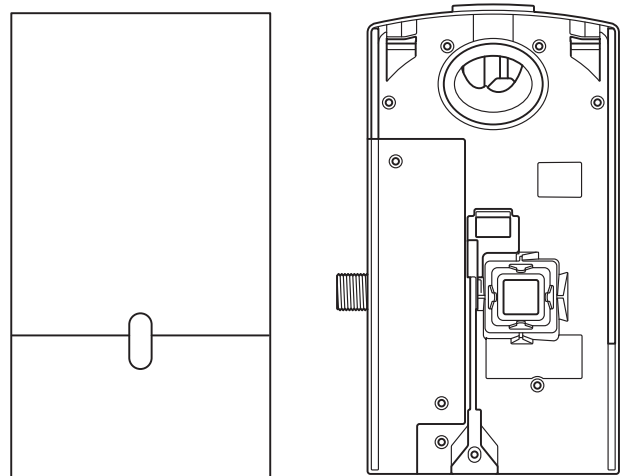
Na caixa

PT



x2  

x1  



Ferramentas necessárias:

- Chave de parafusos pequena Phillips
- Chave de fendas ranhurada de 7 mm
- Chave de fendas ranhurada de 2,5 mm
- Chave de fendas Torx T15
- Fita métrica e lápis
- Berbequim manual
- Broca adequada
- Alicates / descarnador de fios elétricos
- Faca
- Chave inglesa

Verificações de pré-instalação

Fig. A

Planeamento de pré-instalação

O secador de mãos de torneira Airblade Wash+Dry da Dyson foi concebido de forma que a unidade do motor fique montada na parede e localizada por baixo do lavatório Fig. A(i).

A colocação de um filtro em linha é aconselhável para impedir que quaisquer danos possam afetar a sua garantia.

- Deixe espaço de acesso suficiente para instalação e manutenção, veja a Fig. A(ii).
- A unidade destina-se apenas a um local interno e seco.
- Consulte as normas de acessibilidade nacionais e locais para as linhas de orientação de instalação relevantes. A conformidade é da responsabilidade do instalador. Certifique-se de que a unidade é instalada em conformidade com todas as normas e/ou regulamentos de construção.
- Um meio para desativação de todos os polos deve ser incorporado nas ligações fixas, de acordo com os regulamentos de ligações locais.
- Isole a alimentação de água e eletricidade antes da instalação ou manutenção.
- Certifique-se de que nenhuma tubagem (gás, água, ar), cabos elétricos, fios ou canalizações se encontram diretamente por trás da área de montagem/perfuração.
- A Dyson recomenda o uso de vestuário, óculos e materiais de proteção, quando instalar/reparar, conforme necessário.

- Este aparelho destina-se a estar permanentemente ligado à rede de abastecimento de água.

Utilização em áreas de preparação de alimentos

É necessária uma instalação especial para ambientes de preparação de alimentos, que deve envolver completamente a caixa do motor e a mangueira num compartimento fácil de limpar ou ter a caixa do motor no lado inverso de uma parede, fornecer espaço adequado para limpar por baixo (se aplicável) e de forma que a unidade esteja, pelo menos, a 2,5 metros de superfícies de contacto com alimentos tapados ou destapados.

Antes da instalação consulte o guia de recomendações para lavatórios em www.dyson.com.

Fig. B

Linhas de orientação de especificações do lavatório

Usando um método de teste especialmente concebido, os técnicos da Dyson testaram uma vasta gama de lavatórios para avaliar a sua compatibilidade com o secador de mãos de torneira Airblade Wash+Dry da Dyson. Para os lavatórios recomendados, utilize o nosso guia em www.dyson.com.

Os lavatórios de porcelana ou metal escovado são os ideais. Os lavatórios com superfícies altamente polidas devem ser evitados, como, por exemplo, o cromado refletor.

Para as dimensões mínimas do lavatório, consulte a Fig. B.

Fig. C/D/E

Montagem da torneira

Deve existir um mínimo de 100 mm e um máximo de 155 mm da parte de cima do lavatório até ao centro da torneira. Fig. C.

Deve existir um mínimo de 290 mm entre o centro da torneira e a parede lateral. Quando várias torneiras são instaladas lado a lado, os centros das torneiras devem estar separados entre si, no mínimo, 580 mm. Isto deixa espaço suficiente para a montagem da caixa do motor, bem como espaço suficiente para os ombros dos utilizadores. Fig. D.

Não coloque o sensor de água da torneira virado para baixo sobre uma superfície refletora, tal como o orifício de descarga. Fig. E.

Fig. F

Sabão e localização do dispensador de sabonete

Para uma melhor experiência do utilizador, a Dyson recomenda o uso de sabonete em gel.

A zona de sensores infravermelhos para a ativação do ar estende-se ao longo de cada braço da torneira. Para evitar a ativação acidental, é importante considerar o percurso da mão do utilizador até ao dispensador de sabonete.

O dispensador deve estar, pelo menos, 60 mm fora da largura da torneira, para que o utilizador o alcance à volta do braço.

Deve também encontrar-se a, pelo menos, 60 mm acima dos braços, para que os sensores não sejam ativados.

Tenha em atenção que o utilizador deve alcançar o sabonete na diagonal, pelo que este percurso não deve atravessar a zona de sensores.

Fig. G/H

Drenagem de água

Devido à elevada velocidade do ar e da proximidade com a água, há a possibilidade de ocorrência de alguma dispersão de água e sabonete para fora das dimensões do lavatório. Para aliviar este efeito, recomendamos que siga as linhas de orientação abaixo.

Perfil da base

O perfil plano da base resultará numa drenagem insuficiente, levando a níveis elevados de salpicos. Para melhorar a drenagem, evite lavatórios com uma base plana, com particular atenção na zona imediata em torno do orifício de drenagem, num raio mínimo de 60 mm. Fig. G.

Um ângulo de rampa mínimo de 6° do canto do orifício de descarga do lavatório resultará numa boa drenagem para reduzir os níveis de salpicos (raio mínimo de 60 mm). Fig. H.

Fig. I/J/K

Base para a transição da parede de fundo e frontal

A base para a transição da parede de fundo e frontal deve também ser considerada. A parede de fundo deveria estar o mais próximo possível de 90°, e com um raio o mais acentuado possível Fig. I. A geometria curva tem mais probabilidade de aumentar os salpicos Fig. J, onde a inclinação das transições da parede de fundo e frontal deviam ser evitadas Fig. K.

Fig. L

Orifício do ralo

Recomenda-se orifícios de ralos com a maior abertura, em que os orifícios de ralos do tipo grelha ou perfurado deviam ser evitados uma vez que restringem a drenagem da água com sabonete (espuma). Não utilize ralos nos orifícios de ralos nos lavatórios.

Fig. M

Controlo da temperatura da água

Se estiver a ligar um abastecimento de água quente e fria irá precisar de instalar uma válvula misturadora.

Se ligar o abastecimento somente à água fria, necessitará de instalar um dispositivo de aquecimento.

O fornecimento de água para este produto deve estar equipado com um dispositivo de controlo de temperatura de acordo com o regulamento local.

A= Válvula misturadora
B= Abastecimento de água quente e fria
C= Saída de temperatura desejada
D= Válvula de isolamento
E= Aquecedor
F= Entrada de água fria

Informação adicional

Instalação

Não utilize selante quando fixar a unidade à parede.

Certifique-se de que o fornecimento de energia elétrica e de água quente e fria, e as ligações de drenagem estão disponíveis para ligação. Deve existir um isolamento adequado dos fornecimentos de energia e água para desligar os fornecimentos antes da instalação ou manutenção.

Instalação elétrica

Frequência/tensão de entrada: consulte a placa de características.

Isolado pelo espigão do fusível do interruptor ou DCR, conforme adequado.

Corrente 6,6 A.

Especificação do cabo: 2 fios PVC + 1 fio PVC (terra)

Os regulamentos elétricos locais devem ser cumpridos ao instalar ou reparar o produto.

Potência nominal: consulte a placa de características.

Intervalo de temperatura de funcionamento: 0°C – 40°C.

Consumo de potência standby:

Menos do que 0,5 W.

Altitude máxima: 2000 metros.

Água de operação

Caudal de água: ventilador montado normal 4 l/min. 1,9 l/m com ventilador de caudal baixo fornecido com o produto.

Pressão de água necessária: 1-8 bar. Válvula de isolamento 1/2" BSP necessária para a manutenção.

Mantenha o retorno secundário da água quente o mais próximo possível da válvula misturadora para reduzir o risco de crescimento da bactéria Legionella.

Descarga de Serviço Automática

A unidade está equipada com uma descarga de água fixa automática, que se ativa durante 60 segundos, 24 horas após a última utilização. Isto ajuda a reduzir a estagnação da água e proliferação de bactérias no produto.

Certifique-se de que a unidade é sempre instalada sobre um lavatório funcional com drenagem ligada e livre.

Limpeza do abastecimento de água e crescimento biológico

Em alguns países há regulamentos e linhas de orientação que exigem que os sistemas de fornecimento de água de temperatura controlada (tal como o fornecido com o secador de mãos de torneira Airblade Wash+Dry da Dyson) sejam sujeitos a uma limpeza regular para minimizar qualquer crescimento biológico. Para lhe permitir que cumpra estes regulamentos, a torneira Airblade Wash+Dry da Dyson foi projetada e testada para suportar limpeza interna, tanto com água quente até 95° C como com hipoclorito de sódio com uma concentração de 0,45%.

Consulte os regulamentos (de mercado) específicos e recomendações do sistema de fornecimento de água para informação sobre os regimes de limpeza, para limpeza do fornecimento de água e crescimento biológico do seu país.

Ao realizar a limpeza interna do secador de mãos de torneira Airblade Wash+Dry da Dyson, tenha em atenção as indicações de segurança na utilização de água quente ou produtos químicos. A Dyson não será responsável por qualquer ferimento provocado por este processo.

Testes abusivos

O secador de mãos de torneira Airblade Wash+Dry da Dyson foi submetido a rigorosos testes abusivos, para garantir que este possa suportar forças substanciais e impactos típicos de uma casa de banho de um local comercial e público.

Passo a passo

Fig. 1

Posicionar

Posicione a torneira sobre o centro do lavatório Fig. 1.

Faça um furo com 35 mm de diâmetro na superfície de trabalho, se necessário.

Fig. 2

Instalação da torneira

Introduza a vedação de borracha de 1 mm na haste da torneira Fig. 2a.

Insira a haste da torneira, o tubo de água ligado e o cabo de comunicação através do orifício na superfície de trabalho. Certifique-se de que a vedação de borracha de 1 mm se encontra por baixo da torneira de forma uniforme e plana.

Certifique-se de que a tampa está na posição correta por cima do lavatório.

Introduza a vedação de borracha de 3,5 mm na haste da torneira.

Insira os parafusos no anel de bloqueio de latão e aperte levemente para os manter no lugar.

Insira a anilha de metal na haste da torneira. Aparafuse a contraporca de latão na haste da torneira, deixando uma folga inferior ou igual a 5 mm entre a anilha de metal e a contraporca de latão.

Aperte os parafusos através da contraporca de latão na anilha de metal, à mão.

A= Vedação de borracha de 1 mm
B= Haste da torneira
C= Tubo de água
D= Cabo do sensor
E= Vedação de 3,5 mm
F= Anilha de metal
G= Contraporca de latão
H= 2 parafusos

Fig. 3

Instalação da mangueira

Insira a mangueira cinzenta pelo tubo de água e cabo do sensor Fig. 3a.

Passo o tubo de água através do orifício de saída esquerdo no canal da mangueira, conforme mostrado na Fig. 3b.

Utilize um alicate para puxar suavemente o tubo de água até à linha branca sólida Fig. 3c.

Certifique-se de que a vedação no tubo de água encaixa bem no canal da mangueira, de forma que fique hermética Fig. 3b.

Passo o cabo do sensor através do orifício de saída direito, puxando suavemente Fig. 3b. NÃO utilize um alicate, pois este pode danificar as ligações elétricas Fig. 3c. Certifique-se de que a vedação no cabo encaixa bem no canal da mangueira, de forma que fique hermética Fig. 3d. Pode ser utilizada massa de silicone para ajudar na colocação.

Aparafuse o colar da mangueira superior à haste da torneira, de forma que fique apertado manualmente Fig. 3e.

A= Mangueira cinzenta
B= Tubo de água
C= Cabo do sensor

Fig. 4

Preparação para instalação da placa traseira

Retire a caixa do motor da placa traseira premindo o trinco de desengate vermelho no fundo e levante conforme mostrado na Fig. 4a. Guarde a caixa do motor cuidadosamente até ser necessária.

Retire a cobertura da canalização da água e a cobertura dos cabos elétricos a partir da placa traseira, usando uma chave de parafusos Torx T15 Fig. 4b e 4c. Guarde-as cuidadosamente juntamente com os fixadores até serem necessárias.

Fig. 5

Planeamento de instalação da placa traseira e da mangueira

A placa traseira pode ser posicionada numa de três maneiras: vertical ou 90° na horizontal, à esquerda ou à direita. A distância em relação ao chão deve ser, no mínimo, de 100 mm, veja a Fig. 5a.

Certifique-se de que a placa traseira é posicionada de forma que a mangueira possa ser facilmente presa.

NÃO coloque o motor ao contrário com a mangueira apontada para baixo, ou posicione por cima da torneira, veja a Fig. 5b.

Marque a posição da placa traseira na parede.

Entrada do cabo

A entrada do cabo pode ser a partir da base ou da parede, diretamente na traseira da unidade, através do ponto de entrada do cabo traseiro. Decida qual antes de começar.

Se escolher a opção da entrada do cabo através da base, utilize um alicate para prender cuidadosamente o painel de transição pré-marcado na base da placa traseira. Lime suavemente os bordos da secção de transição Fig. 5c.

Entrada de água

A ligação da água é realizada no lado esquerdo da placa traseira. A ligação de água não pode ser rodada dentro da placa traseira Fig. 5d.

Fig. 6

Instalação da placa traseira

Se a entrada do cabo vai ser diretamente na placa traseira a partir da parede, passe o cabo elétrico antes de fixar a placa traseira na parede.

Fixe a placa traseira na parede utilizando os acessórios de fixação apropriados Fig. 6.

Não utilize parafusos escareados.

Fig. 7

Ligação do cabo do sensor

Prenda a mangueira cinzenta na placa traseira.

Ligue o cabo do sensor na mangueira ao conector na placa traseira, conforme mostrado na Fig. 7.

Verifique a orientação do conector; as duas patilhas devem estar alinhadas. Certifique-se de que o cabo está corretamente encaminhado na placa traseira.

Fig. 8

Ligação do tubo de água

Corte o tubo de água ao tamanho pela linha branca tracejada, conforme mostrado na Fig. 8a.

Insira a braçadeira da mangueira (fornecida) no tubo de água Fig. 8b.

Retire os 2 parafusos Phillips e desprenda a solenoide da placa traseira Fig. 8b.

Prenda a mangueira de água à solenoide Fig. 8c.

Volte a prender a solenoide na placa traseira e aperte os 2 parafusos Fig. 8d.

Aperte a braçadeira da mangueira e certifique-se de que o cabo da solenoide está posicionado corretamente no canal de retenção.

Fig. 9

Ligação do fornecimento de eletricidade

Encaminhe o fornecimento de eletricidade para a placa traseira, utilizando uma conduta sólida ou flexível e acessórios aprovados. Certifique-se de que o cabo de alimentação tem comprimento suficiente para ligar ao bloco de terminais montado na placa traseira.

Encaminhe o cabo para a placa traseira e aperte o empanque do cabo.

Descarne o cabo até um comprimento suficiente e fixe os fios neutro e energizado nos blocos de terminais correspondentes, conforme mostrado na Fig. 9. Assegure o posicionamento correto dos cabos antes de continuar.

Fig. 10

Voltar a montar a tampa elétrica

Fixe a tampa elétrica e aperte-a com os 6 acessórios de fixação fornecidos, garantindo que não há fios trilhados.

Fig. 11

Ligação do fornecimento de água misturada

NOTA: certifique-se de que o fornecimento de água foi completamente limpo de resíduos, limalhas de cobre, etc. antes de ligar a placa traseira. Se isso não for feito, a válvula solenoide pode ser danificada.

Ligue o fornecimento de água misturada isolado à placa traseira.

Ligue a água.

Inspeccione se existem fugas na entrada do fornecimento de água principal e na ligação do tubo de água à torneira. Verifique também se existem fugas na ligação da solenoide.

Fig. 12

Ligação da alimentação.

Ligue a alimentação à máquina.

CICLO DE CALIBRAÇÃO: uma vez instalada, a torneira realizará um ciclo de calibração de 30 segundos.

Coloque a mão sob o sensor na torneira para ativar o caudal de água. Fig. 12a.

Verifique se existem fugas conforme a Fig. 11.

Fixe a tampa do tubo de água na placa traseira, utilizando os 2 acessórios de fixação fornecidos. Fig. 12b.

Fig. 13

Montagem da caixa do motor

Engate o motor no topo da tampa elétrica.

Baixe de forma que faça um clique na posição devida, conforme mostrado.

Pressione firmemente Fig. 13a.

OPCIONAL: é fornecido um parafuso para fixar o botão de desengate vermelho e evitar a remoção indesejada da caixa do motor.

Teste a unidade quanto ao funcionamento correto.

Fixação da caixa do motor placa traseira (opcional).

Para retirar o filtro, utilize uma chave de fendas com cuidado para desengatar a patilha no filtro, conforme mostrado na Fig. 13b.

Fixe a caixa do motor à placa traseira utilizando o parafuso de segurança fornecido Fig. 13c.

Volte a ligar a mangueira, garantindo que esta encaixa no lugar com um clique Fig. 13d.

Testar instalação

Teste o secador de mãos quanto ao funcionamento normal:

- Coloque las manos debajo del centro del grifo. El agua correrá automáticamente mientras las manos permanezcan en ese lugar.
- Coloque as suas mãos de cada um dos lados do centro da torneira para ativar o secador de mãos, criando lâminas de ar para tirar a água das suas mãos.
- Mova as suas mãos lentamente, para trás e para a frente, através do ar. Vire as suas mãos para que tantos as palmas como as costas das mãos fiquem expostas ao fluxo de ar.

Resolução de problemas

O secador de mãos não arranca:

- Verifique se o fusível/disjuntor funcionam e se o fornecimento elétrico e de ar estão ligados.
- Certifique-se de que a tampa de limpeza é removida e que os sensores estão limpos e desobstruídos.
- Desligue e volte a ligar a unidade.

O secador de mãos liga e desliga erraticamente:

- Desligue e volte a ligar a unidade.
- Certifique-se de que não há obstruções no lavatório e remova-as, caso existam.
- Certifique-se de que os sensores estão limpos.
- Verifique se o cabo do sensor da torneira está bem ligado.

Por vezes, o secador de mãos desliga durante a utilização:

- Desligue e volte a ligar a unidade.
- Certifique-se de que os sensores estão limpos.
- Verifique se as entradas de ar estão limpas e sem poeira. Se as entradas de ar estiverem poeirentas, basta limpar o pó.
- Certifique-se de que as entradas de ar estão livres de obstruções e têm espaço suficiente

O tempo de secagem aumentou.

- Inspeccione se as entradas de ar têm poeira e retire.
- Inspeccione o filtro e, se necessário, mude.
- Certifique-se de que a mangueira está fixada à base da torneira e que não existem fugas.

O fluxo do ar está mais quente do que o habitual:

- Inspeccione se as entradas de ar têm poeira e retire.
- Inspeccione o filtro e, se necessário, mude.
- Certifique-se de que a mangueira está fixada à base da torneira e que não existem fugas.

O ar está a circular continuamente:

- Verifique a existência de objetos no lavatório e remova-os, se necessário.
- Certifique-se de que os sensores estão limpos e sem obstruções.
- Inspeccione o filtro e, se necessário, mude.
- Certifique-se de que a mangueira está bem fixada à base da torneira e que não existem fugas.

Não há circulação de ar:

- Ligue e desligue a unidade.
- Verifique se o fusível/disjuntor funcionam e se a alimentação está ligada.
- Certifique-se de que os sensores estão limpos.
- Certifique-se de que a mangueira está bem fixada à base da torneira e que não existem fugas.
- Verifique se o cabo do sensor da torneira está bem ligado.

A água sai continuamente da torneira.

- Certifique-se de que os sensores estão limpos e sem obstruções.

Não sai água da torneira:

- Certifique-se de que os fornecimentos elétrico e de água estão ligados, e que a válvula de isolamento está aberta.
- Certifique-se de que ventilador não tem resíduos. Se necessário, retire e limpe/substitua.

A água que sai da torneira está excessivamente quente ou fria:

- Verifique se a válvula misturadora está definida para a temperatura desejada.
- Contacte o Serviço de Apoio ao Cliente da Dyson para mais assistência e informações ou on-line em www.dyson.pt

RO/MD

Cuprins

RO
MD

Instrucțiuni importante privind siguranța 221 

În această cutie 222

Verificări înainte de instalare 223

Instalarea

Pas cu pas 225

Testarea instalației 227

Depanare 227

INSTRUCȚIUNI IMPORTANTE PRIVIND SIGURANȚA

CITIȚI ȘI PĂSTRAȚI ACESTE INSTRUCȚIUNI

ÎNAINTE DE A INSTALA SAU DE A UTILIZA ACEASTĂ UNITATE, CITIȚI TOATE INSTRUCȚIUNILE ȘI MARCAJELE DE AVERTIZARE DIN ACEST GHID DE INSTALARE ȘI DIN MANUAL.

AVERTISMENT

TOATE LUCRĂRILE DE INSTALAȚII ȘI DE REPARAȚII (INSTALAȚII DE APĂ, DE CANAL ȘI ELECTRICE) TREBUIE EFECTUATE DE CĂTRE O PERSOANĂ CALIFICATĂ SAU DE CĂTRE UN INGINER DE SERVICE DYSON ÎN CONFORMITATE CU CODURILE SAU REGULAMENTELE LOCALE CURENTE.

AVERTISMENT

PERICOL DE ELECTROCUTARE!

ÎN CAZUL ÎN CARE CARCASA ESTE SCOASĂ SAU MANIPULATĂ NECORESPUNZĂTOR, COMPONENTELE INTERNE ALE UNITĂȚII POT PROVOCA ACCIDENTE SAU POT SUFERI AVARII PERMANENTE.

ACEASTĂ UNITATE TREBUIE ÎMPĂMÂNTATĂ PENTRU A SE REDUCE PERICOLUL DE INCENDIU, ELECTROCUTARE SAU VĂTĂMARE A PERSOANELOR. RESPECTAȚI URMĂTOARELE:

Înainte de a începe orice lucrare de instalare, trebuie să confirmați următoarele.

- Asigurați-vă că alimentarea electrică corespunde cu cea indicată pe plăcuța cu valori nominale.
- În cablajul fix trebuie încorporat un mijloc pentru deconectarea tuturor polilor, în conformitate cu reglementările locale de cablare.
- Conectați alimentarea cu electricitate cu ajutorul canalului adecvat și al garniturilor electrice. Asigurați-vă că au lungime suficientă canalul și cablurile pentru a se conecta la plăcuța posterioară și la blocul de borne. Canalul din metal rigid nu este adecvat pentru intrarea laterală.

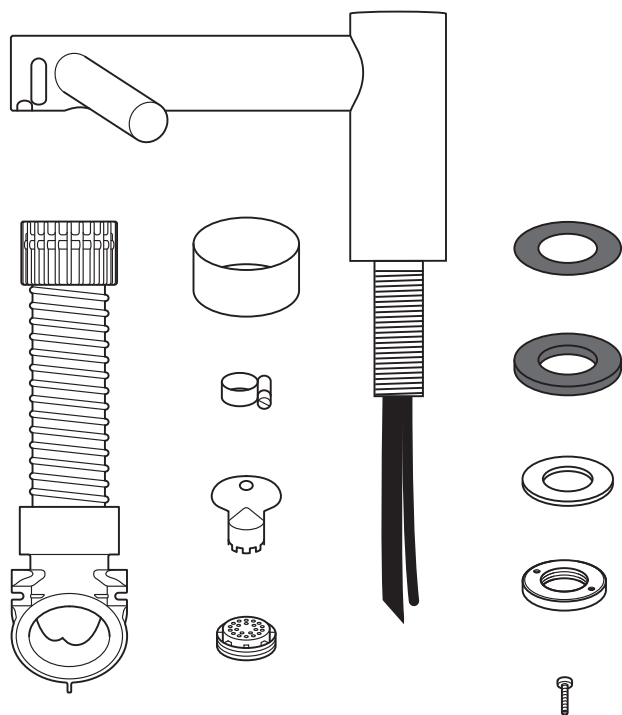
AVERTISMENT

Aveți grijă la despachetarea componentelor. Pot exista muchii/colțuri ascuțite care pot tăia sau produce vătămări.

NU UTILIZAȚI ECHIPAMENTE DE SPĂLARE CU JET PENTRU CURĂȚAREA UNITĂȚII SAU LÂNGĂ UNITATE

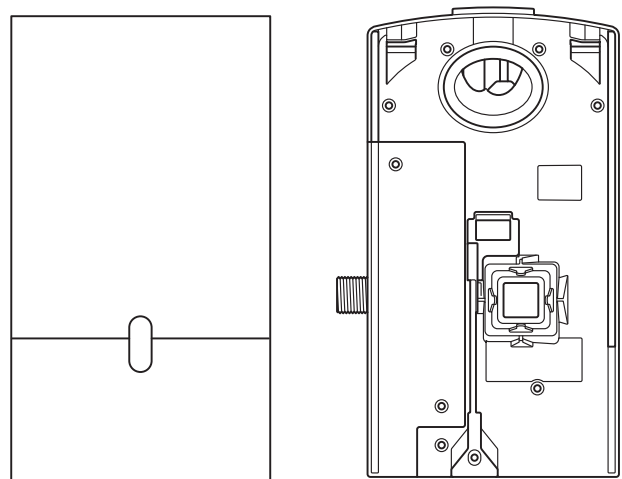
În această cutie

RO
MD



x2  

x1  



Unelte necesare:

- Șurubelniță cu cap în cruce mică
- Șurubelniță dreaptă 7 mm
- Șurubelniță dreaptă 2,5 mm
- Șurubelniță Torx T15
- Ruletă și creion
- Mașină de găurit portabilă
- Burghiu potrivit
- Clești de cablu
- Cuțit
- Cheie de piulițe reglabilă

Verificări înainte de instalare

Fig. A

Planificarea înainte de instalare

Uscătorul de mâini Airblade Wash+Dry de la Dyson este conceput astfel încât unitatea motorului să fie montată pe perete și să fie situată sub chiuvetă, consultați Fig. A(i).

Se recomandă montarea unui filtru în linie pentru a preveni deteriorările care pot afecta garanția dvs.

- Asigurați un spațiu suficient de acces pentru instalare și efectuarea activităților de service, consultați Fig A(ii).
- Unitatea este concepută numai pentru spații interioare, lipsite de umiditate.
- Consultați codurile și regulamentele de accesibilitate locale și naționale pentru liniile directe de instalare relevante. Conformitatea și conformarea reprezintă responsabilitatea instalatorului. Asigurați-vă că unitatea este instalată în conformitate cu toate codurile și/sau regulamentele din domeniul construcțiilor.
- În cablajul fix trebuie încorporat un mijloc pentru deconectarea tuturor polilor, în conformitate cu regulamentele locale de cablare.
- Izolați alimentarea cu energie și alimentarea cu apă înainte de instalare sau de service.
- Asigurați-vă că în spatele zonei de perforare/montare nu sunt amplasate direct instalații (de gaz, apă, aer) sau cabluri electrice, fire ori rețele de conducte.
- Dyson recomandă utilizarea îmbrăcămintei, ochelarilor și materialelor de protecție în timpul instalării/executării de reparații, în funcție de necesități.

- Acest aparat este conceput pentru a fi conectat permanent la rețeaua de apă.

Utilizarea în zone de preparare a mâncării

Pentru mediile de preparare a mâncării este necesară o instalare specială, care trebuie să cuprindă complet unitatea motorului și furtunul într-o carcasă curățabilă- sau în care unitatea motorului să fie pe partea opusă a unui perete, în care să existe spațiu suficient pentru curățarea dedesubt (dacă este cazul) și în care unitatea să fie la cel puțin 2,5 metri față de alimente neacoperite sau față de suprafețe de contact cu alimente neacoperite.

Consultați ghidul de recomandări pentru chiuvete pe www.dyson.com înainte de instalare.

Fig. B

Linii directe privind specificațiile chiuvetei

Folosind o metodă de testare concepută special, inginerii Dyson au testat o gamă largă de chiuvete pentru a evalua compatibilitatea acestora cu uscătorul de mâini Airblade Wash+Dry de la Dyson. Pentru chiuvete recomandate, utilizați ghidul nostru de pe www.dyson.com.

Chiuvetele din porțelan sau din metal șlefuit sunt ideale. Chiuvetele cu suprafețe foarte șlefuite trebuie evitate, de ex. crom reflectorizant. Pentru dimensiunile minime ale chiuvetei, consultați Fig. B.

Fig. C/D/E

Montarea robinetului

Distanța de la partea de sus a chiuvetei până la centrul robinetului trebuie să fie de minimum 100 mm și maximum 155 mm.

Fig. C.

Trebuie să existe minimum 290 mm de la centrul robinetului și până la un perete lateral. Când sunt instalate mai multe robinete unul lângă celălalt, centrele robinetelor trebuie să fie la cel puțin 580 mm distanță unele față de celelalte. Acest lucru permite spațiu suficient pentru montarea unității motorului, precum și spațiu lateral suficient pentru utilizatori. Fig. D.

Nu plasați senzorul de apă orientat în jos al robinetului pe o suprafață reflectorizantă, precum gaura de scurgere. Fig. E.

Fig. F

Săpunul și poziționarea dozatorului de săpun

Pentru cea mai bună experiență de utilizator, Dyson recomandă utilizarea de săpunuri de tip gel.

Zona de detectare prin infraroșii pentru activarea aerului se extinde de-a lungul fiecărei ramuri de robinet. Pentru a preveni activarea accidentală, este important să luați în considerare traseul mâinii utilizatorului către dozatorul de săpun.

Dozatorul trebuie situat la cel puțin 60 mm în afara lățimii robinetului, astfel încât utilizatorul să deplaseze mâna în jurul ramurii.

De asemenea, trebuie situat la cel puțin 60 mm deasupra ramurilor, astfel încât senzorii să nu fie activați.

Rețineți faptul că utilizatorul poate întinde mâna diagonal către săpun, așadar această cale nu trebuie să treacă prin zona de detectare.

Fig. G/H

Scurgerea apei

Din cauza proximității fluxului de aer la viteză mare și a apei, există posibilitatea ca o cantitate mică de apă și săpun să ajungă în afara chiuvetei. Pentru a diminua acest efect, recomandăm respectarea indicațiilor de mai jos.

Profilul bazei

Un profil plat al bazei va rezulta în scurgere deficitară, lucru care va duce la niveluri mari de stropire. Pentru a îmbunătăți scurgerea, evitați chiuvetele cu o bază plată cu o concentrare deosebită asupra zonei imediate din jurul găurii de scurgere, pe orază de minimum 60 mm. Fig. G.

Un unghi de cel puțin 6° al rampei de la marginea gurii de scurgere a chiuvetei va rezulta într-o scurgere bună, lucru care va reduce nivelurile de stropire (rază de cel puțin 60 mm). Fig. H.

Fig. I/J/K

Tranziția de la bază la peretele din spate și din față

Tranziția de la bază la peretele din spate și din față trebuie, de asemenea, luată în considerare. Peretele din spate trebuie să fie cât mai aproape de un unghi de 90° și la o rază cât mai ascuțită este posibil Fig. I. O formă curbată are șanse mai mari de a crește stropirea Fig. J în vreme ce tranziția prin pantă către peretele din spate și din față trebuie evitate Fig. K.

Fig. L

Gaura de scurgere

Găurile de scurgere cu deschizătura cea mai mare sunt recomandate, pe când cele de tip grilaj sau perforate trebuie evitate, deoarece restricționează scurgerea apei cu săpun (șpumei de săpun). Nu utilizați dopuri în găurile de scurgere din chiuvete.

Fig. M

Controlul temperaturii apei

În cazul în care conectați alimentare cu apă rece și apă caldă, va trebui să instalați o supapă corespunzătoare de amestec. În cazul în care conectați numai la alimentarea cu apă rece, va trebui să instalați un încălzitor.

Alimentarea cu apă către acest produs trebuie prevăzută cu un dispozitiv pentru controlul temperaturii în conformitate cu regulamentele locale.

A= Supapă de amestec
B= Alimentare apă caldă și rece
C= Temperatură de ieșire dorită
D= Supapă de izolare
E= Încălzitor
F= Intrare apă rece

Informații suplimentare

Instalarea

Nu utilizați material de etanșare atunci când fixați unitatea de perete.

Asigurați-vă că sunt disponibile pentru racordare conexiunile electrice, țevile de alimentare cu apă combinată și racordurile

de scurgere. Dispozitivele de întrerupere a alimentării cu apă și electricitate trebuie să fie montate pentru oprirea alimentării înainte de instalare și efectuarea activităților de service.

Specificații electrice

Tensiune de intrare/Frecvență: consultați plăcuța cu valori nominale.
Izolată prin siguranță corespunzătoare sau RCD, după caz.

Curent 6,6 A.

Specificație cablu: bifilar PVC + monofilar PVC (masă)

Regulamentele electrice locale trebuie respectate la instalarea sau repararea produsului.

Putere nominală: consultați plăcuța cu valori nominale.

Interval de temperatură de funcționare: 0° – 40 °C.

Consum de energie în standby: mai puțin de 0,5 W.

Altitudine maximă: 2.000 de metri.

Funcționarea cu apă

Debit apă: 4 l/min aerator montat normal.
1,9 l/m cu aerator de debit redus furnizat împreună cu produsul.

Presiunea necesară a apei: 1-8 bari.

Supapa izolată BSP de 1/2" este necesară pentru service.

Asigurați-vă că a doua țevă de retur a apei calde este cât mai aproape posibil de supapa de amestec pentru a se reduce riscul de dezvoltare a bacteriei Legionella.

Clătire automată

Acest uscător de mâini este prevăzut cu un sistem fix de clătire automată ce se activează timp de 60 de secunde la 24 de ore de la ultima utilizare. Acesta ajută la reducerea stagnerii apei în echipament și la prevenirea dezvoltării de bacterii în interior.

Asigurați-vă că unitatea este întotdeauna instalată peste un bazin funcțional cu scurgere liberă și conectată.

Curățenia sursei de alimentare cu apă și creșterea agenților patogeni

În anumite țări există regulamente sau linii directe care impun ca sistemele de alimentare cu apă cu temperaturi controlate (precum în cazul instalației uscătorului de mâini Airblade Wash+Dry de la Dyson) să fie curățate periodic pentru a reduce la minimum creșterea oricăror agenți patogeni. Pentru a vă permite să respectați aceste regulamente, uscătorul de mâini Airblade Wash+Dry de la Dyson a fost proiectat și testat astfel încât să reziste la metodele de curățare internă, atât cu apă fierbinte de până la 95 °C, cât și cu hipoclorit de sodiu cu o concentrație de 0,45 %.

Consultați regulamentele specifice (pentru piața în cauză) și recomandările pentru sistemul de alimentare cu apă pentru informații privind regimurile de curățare pentru asigurarea curățeniei alimentării cu apă și minimizarea creșterii de agenți patogeni pentru țara dvs.

La efectuarea curățării interne a uscătorului de mâini Airblade Wash+Dry de la Dyson, luați în considerare indicațiile de siguranță la utilizarea de apă fierbinte sau de substanțe chimice. Dyson nu va fi răspunzătoare pentru eventuale vătămări cauzate de acest proces.

Testare abuzivă

Robinetul a fost supus unei testări abuzive riguroase pentru a se asigura faptul că acesta poate rezista la forțe și impacturi semnificative ale unui mediu dintr-un spațiu comercial sau dintr-o toaletă publică.

Pas cu pas

Fig. 1

Poziționarea

Poziționați robinetul peste centrul chiuvetei, consultați Fig. 1.

Realizați un orificiu cu diametrul de 35 mm prin suprafața de lucru, dacă este necesar.

Fig. 2

Instalarea robinetului

Glisați garnitura din cauciuc de 1 mm pe tija robinetului, consultați Fig. 2a.

Introduceți tija robinetului și tubul de apă atașat și cablul de comunicații prin orificiul din suprafața de lucru. Asigurați-vă că garnitura de cauciuc de 1 mm este situată sub robinet fiind așezată egal și plat.

Asigurați-vă că robinetul este în poziția corectă deasupra chiuvetei.

Glisați garnitura de cauciuc de 3,5 mm pe tija robinetului.

Introduceți șuruburile în inelul de blocare din alamă și strângeți ferm pentru a le menține în poziție.

Glisați șaiba de metal pe tija robinetului.

Înșurubați piulița de blocare de alamă pe tija robinetului, lăsând un spațiu liber maxim 5 mm între șaiba de metal și piulița de blocare de alamă.

Strângeți manual șuruburile prin piulița de blocare de alamă în șaiba de metal.

A= Garnitură de cauciuc de 1 mm
B= Tija robinet
C= Tub de apă
D= Cablul senzorului
E= Garnitură de 3,5 mm
F= Șaibă de metal
G= Piulița de blocare de alamă
H= 2 x șuruburi

Fig. 3

Montarea furtunului

Glisați furtunul gri în sus peste tubul de apă și cablul senzorului astfel cum este indicat în Fig. 3a.

Treceți tubul de apă prin orificiul de ieșire din stânga în canalul furtunului astfel cum este indicat în Fig. 3b.

Utilizați cleștele pentru a trage ușor tubul de apă până la linia albă continuă astfel cum este indicat în Fig. 3c.

Asigurați-vă că garnitura de pe tubul de apă se potrivește strâns în canalul furtunului astfel încât să fie etanș, consultați Fig. 3b.

Treceți cablul senzorului prin orificiul de ieșire din dreapta, trăgând ușor în timpul trecerii acestuia, consultați Fig. 3b. NU utilizați clești, deoarece aceștia pot deteriora conexiunile electrice, consultați Fig. 3c. Asigurați-vă că garnitura de pe cablu se potrivește strâns în canalul furtunului astfel încât să fie etanș, consultați Fig. 3d. Unsoarea siliconică poate fi utilizată pentru a ajuta la montaj.

Înșurubați manual colierul furtunului superior pe tija robinetului, consultați Fig. 3e.

A= Furtun gri
B= Tub de apă
C= Cablul senzorului

Fig. 4

Pregătirea pentru instalarea plăcii posterioare

Îndepărtați unitatea motorului de pe plăcuța spate, apăsând dispozitivul de eliberare roșu din partea inferioară și ridicând-o astfel cum este indicat în Fig. 4a. Depozitați unitatea motorului în siguranță până când este necesară.

Îndepărtați capacul conductei de apă și capacul componentelor electrice de pe plăcuța spate folosind o șurubelniță Torx T15, consultați Fig. 4b e 4c. Depozitați-le în siguranță împreună cu elementele de fixare până când sunt necesare.

Fig. 5

Montarea plăcuței posterioare și a furtunului

Plăcuța spate poate fi poziționată într-unul dintre cele trei moduri: vertical, la 90° în poziție orizontală la stânga sau la dreapta. Distanța de la podea trebuie să fie de minim 100 mm, consultați Fig. 5a.

Plăcuța spate trebuie să fie poziționată astfel încât furtunul să poată fi ușor fixat. NU așezați motorul în poziție inversă cu furtunul îndreptat în jos și nu îl așezați deasupra robinetului, consultați Fig. 5b.

Marcați poziția plăcuței spate pe perete.

Introducerea cablului

Introducerea cablului se poate realiza fie de la bază, fie de pe perete direct în spatele unității, prin intermediul punctului posterior de introducere a cablului. Decideți asupra unei variante înainte de a începe.

Dacă se alege opțiunea de intrare a cablului prin bază, utilizați cleștele pentru a apuca cu atenție panoul breșei premarcate de pe baza plăcuței posterioare. Aliniați fără cute marginile secțiunii breșei, consultați Fig. 5c.

Pătrunderea apei

Racordul pentru apă este realizat pe partea stângă a plăcuței posterioare. Racordul pentru apă nu poate fi rotit la nivelul plăcuței spate, consultați Fig. 5d.

Fig. 6

Instalarea plăcuței posterioare

Dacă introducerea cablului urmează să fie realizată direct în plăcuța posterioară de pe perete, trageți cablul electric înainte de a fixa plăcuța posterioară pe perete.

Fixați plăcuța posterioară de perete cu ajutorul elementelor de fixare corespunzătoare, consultați Fig. 6.

Nu utilizați șuruburi cu cap înecat.

Fig. 7

Conectarea cablului senzorului

Prindeți furtunul gri în plăcuța posterioară.

Introduceți cablul senzorului din furtun în conectorul de pe plăcuța posterioară astfel cum este indicat în Fig. 7. Verificați orientarea conectorului; cele două agățătoare trebuie aliniate. Asigurați introducerea corectă a cablului în plăcuța posterioară.

Fig. 8

Conectarea tubului de apă

Tăiați tubul de apă la dimensiunea de la linia albă punctată astfel cum este indicat în Fig. 8a.

Glisați clema furtunului (furnizată) pe tubul de apă, consultați Fig. 8b.

Scoateți cele 2 șuruburi cu fantă în cruce și desprindeți supapa cu solenoid de pe plăcuța posterioară, consultați Fig. 8b.

Atașați furtunul de apă la supapa cu solenoid, consultați Fig. 8c.

Prindeți supapa cu solenoid înapoi pe plăcuța posterioară și fixați-o cu cele 2 șuruburi, consultați Fig. 8d.

Strângeți clema furtunului și verificați poziționarea corectă a cablului supapei cu solenoid în canalul de fixare.

Fig. 9

Conectarea alimentării cu energie electrică

Cablați alimentarea cu energie electrică la plăcuța posterioară folosind conductele de cabluri flexibile sau solide și elemente de fixare aprobate. Asigurați-vă că cablul de alimentare este suficient de lung pentru racordarea la blocul cu terminale montat în plăcuța posterioară.

Treceți cablul în plăcuța posterioară și strângeți presetupa cablului.

Reglați cablul la o lungime corespunzătoare și asigurați firele de tensiune și cele neutre în blocurile cu terminale corespunzătoare astfel cum este indicat în Fig. 9. Asigurați poziționarea corectă a cablurilor înainte de a continua.

Fig. 10

Reasamblarea capacului componentelor electrice

Fixați capacul componentelor electrice și asigurați cu cele 6 elemente de fixare furnizate, verificând că nu sunt prinse fire.

Fig. 11

Conectarea alimentării cu apă combinate

NOTĂ: asigurați-vă că alimentarea cu apă nu prezintă nicio urmă de reziduuri, pilituri de cupru etc. înainte de conectarea la plăcuța posterioară. În caz contrar, supapa cu solenoid poate fi deteriorată.

Conectați alimentarea cu apă combinată izolată la plăcuța posterioară.

Porniți apa.

Verificați să nu existe scurgeri la conducta principală de alimentare cu apă și la racordul tubului de apă la robinet.

De asemenea, verificați dacă sunt prezente scurgeri la nivelul conexiunii supapei cu solenoid.

Fig. 12

Pornirea alimentării cu energie

Porniți alimentarea cu energie a dispozitivului.

CICLU DE CALIBRARE: După instalare, robinetul va trece printr-un ciclu de calibrare de 30 de secunde.

Așezați mâna sub senzorul de pe robinet pentru a activa debitul de apă Fig 12a.

Verificați dacă sunt prezente scurgeri, astfel cum este indicat în Fig. 11.

Fixați capacul conductei de apă pe plăcuța posterioară, folosind cele 2 elemente de fixare furnizate Fig 12b.

Fig. 13

Asamblarea unității motorului

Agățați motorul pe partea superioară a capacului componentelor electrice. Rotiți-l în jos astfel încât să se fixeze pe poziție printr-un clic, după cum este indicat. Apăsăți până se fixează bine Fig. 13a.

OPȚIONAL: Este furnizat un șurub pentru fixarea butonului de eliberare de culoare roșie și pentru prevenirea înlăturării nedorite a cupei cu motor.

Testați funcționarea corectă a unității.

Fixarea unității motorului de plăcuța spate (opțional).

Pentru a îndepărta filtrul, utilizați ușor o șurubelniță pentru a elibera agățătoarea de pe filtrul după cum se prezintă în Fig. 13b.

Fixați unitatea motorului de plăcuța posterioară cu ajutorul șurubului de fixare furnizat, consultați Fig. 13c.

Reconectați filtrul asigurând faptul că se fixează în poziție, consultați Fig. 13d.

Testarea instalației

Testați uscătorul de mâini pentru funcționare normală:

- Așezați-vă mâinile sub partea centrală a robinetului, iar apa va curge automat cât timp mâinile rămân în aceeași poziție.
- Așezați-vă mâinile de oricare parte a robinetului central pentru a activa uscătorul de mâini, creând straturi de aer pentru a usca apa de pe mâini.
- Deplasați-vă lent mâinile înapoi și înainte prin aer. Rotiți-vă mâinile astfel încât spatele acestora și palmele să fie expuse la fluxul de aer.

Depanare

Uscătorul de mâini nu pornește:

- Verificați funcționarea siguranței/întrerupătorului de circuit și conectarea alimentării cu apă și cu energie.
- Asigurați îndepărtarea capacului de curățare și faptul că senzorii sunt curați și fără obstacole.
- Opriți și porniți unitatea.

Uscătorul de mâini pornește și se oprește în mod neregulat:

- Opriți și porniți unitatea.
- Verificați că nu este niciun dop în chiuvetă și înlăturați dopul dacă acesta este prezent.
- Asigurați-vă că senzorii sunt curați.
- Verificați conectarea sigură a cablului senzorului de la robinet.

Uscătorul de mâini se oprește uneori în timpul utilizării:

- Opriți și porniți unitatea.
- Asigurați-vă că senzorii sunt curați.
- Verificați ca admisiile de aer să fie curate și fără praf. Dacă admisiile de aer sunt prăfuite, pur și simplu îndepărtați praful.
- Asigurați-vă că admisiile de aer nu prezintă obstacole și au suficient spațiu liber.

Timpul de uscare a crescut:

- Inspectați admisiile de aer să nu prezinte praf și îndepărtați.
- Inspectați filtrul și schimbați dacă este necesar.
- Asigurați-vă că furtunul este bine fixat la baza robinetului și că nu sunt prezente scurgeri.

Fluxul de aer este mai cald decât în mod obișnuit:

- Inspectați admisiile de aer să nu prezinte praf și îndepărtați.
- Inspectați filtrul și schimbați dacă este necesar.
- Asigurați-vă că furtunul este fixat bine la baza robinetului și că nu sunt prezente scurgeri.

Fluxul de aer nu se mai oprește:

- Verificați dacă există obiecte în chiuvetă și îndepărtați-le dacă este cazul.
- Asigurați-vă că senzorii sunt curați și că nu prezintă niciun obstacol.
- Inspectați filtrul și schimbați-l dacă este necesar.
- Asigurați-vă că furtunul este bine fixat la baza robinetului și că nu sunt prezente scurgeri.

Nu există flux de aer:

- Opriți și porniți unitatea.
- Verificați funcționarea siguranței/întrerupătorului de circuit și conectarea alimentării cu energie.
- Asigurați-vă că senzorii sunt curați.
- Asigurați-vă că furtunul de aer este bine fixat la baza robinetului și că nu sunt prezente scurgeri.
- Verificați conectarea sigură a cablului senzorului de la robinet.

Apa curge continuu din robinet:

- Asigurați-vă că senzorii sunt curați și că nu prezintă niciun obstacol.

Nu curge apă din robinet:

- Asigurați-vă că alimentarea cu energie și cu apă sunt pornite și că supapa de izolare este deschisă.
- Asigurați-vă că aeratorul nu prezintă reziduuri, îndepărtați și curățați/înlocuiți dacă este necesar.

Apa care curge din robinet este excesiv de caldă sau de rece:


- Asigurați-vă că supapa de amestec este setată la temperatura dorită.

Contactați Asistența pentru clienți Dyson dacă aveți nevoie de ajutor și informații suplimentare sau accesați www.dyson.com

RU

Содержание

RU

Важные инструкции по технике безопасности 229 

Комплект поставки 230

Проверки перед установкой 231

Установка

Пошаговые инструкции 233

Проверка установки 235

Поиск и устранение неисправностей 235

ВАЖНЫЕ ИНСТРУКЦИИ ПО ТЕХНИКЕ БЕЗОПАСНОСТИ

ПРОЧИТАЙТЕ И СОХРАНИТЕ ЭТИ ИНСТРУКЦИИ

ПЕРЕД УСТАНОВКОЙ И ИСПОЛЬЗОВАНИЕМ ДАННОГО УСТРОЙСТВА ОЗНАКОМЬТЕСЬ СО ВСЕМИ ИНСТРУКЦИЯМИ И ПРЕДУПРЕЖДЕНИЯМИ В ДАННОМ РУКОВОДСТВЕ ПО УСТАНОВКЕ И В РУКОВОДСТВЕ ПОЛЬЗОВАТЕЛЯ.

ПРЕДУПРЕЖДЕНИЕ

ВСЕ РАБОТЫ ПО УСТАНОВКЕ И РЕМОНТУ (СЛЕСАРНОМУ И ЭЛЕКТРИЧЕСКОМУ) ДОЛЖНЫ ПРОВОДИТЬСЯ КВАЛИФИЦИРОВАННЫМ СПЕЦИАЛИСТОМ ИЛИ ИНЖЕНЕРОМ DYSON С СОБЛЮДЕНИЕМ ТРЕБОВАНИЙ ВСЕХ ДЕЙСТВУЮЩИХ РЕГИОНАЛЬНЫХ НОРМ И ПОЛОЖЕНИЙ.

ПРЕДУПРЕЖДЕНИЕ

ОПАСНОСТЬ ПОРАЖЕНИЯ ЭЛЕКТРИЧЕСКИМ ТОКОМ!

ПРИ СНЯТОМ КОРПУСЕ ИЛИ НЕПРАВИЛЬНОМ ОБРАЩЕНИИ С ВНУТРЕННИМИ КОМПОНЕНТАМИ УСТРОЙСТВА ВОЗМОЖНО ПОВРЕЖДЕНИЕ УСТРОЙСТВА ИЛИ ЕГО ПОЛНЫЙ ВЫХОД ИЗ СТРОЯ.

ЭТО УСТРОЙСТВО СЛЕДУЕТ ЗАЗЕМЛИТЬ ДЛЯ СНИЖЕНИЯ РИСКА ПОЖАРА, ПОРАЖЕНИЯ ЭЛЕКТРИЧЕСКИМ ТОКОМ ИЛИ ПОЛУЧЕНИЯ ТРАВМ.

Перед началом работ по установке необходимо выполнить указанные ниже пункты.

- Убедитесь, что напряжение в сети соответствует напряжению, указанному на табличке с техническими данными.
- Средства для отключения всех полюсов питания должны быть встроены в стационарную электропроводку в соответствии с местными нормативными требованиями к электропроводке.
- Подключите электропитание с помощью соответствующих кабелепроводов и электроарматуры. Убедитесь, что кабелепровод и провода имеют достаточную длину для подключения к заднему щитку и распределительной коробке. Цельнометаллический канал не подходит для подключения сбоку.

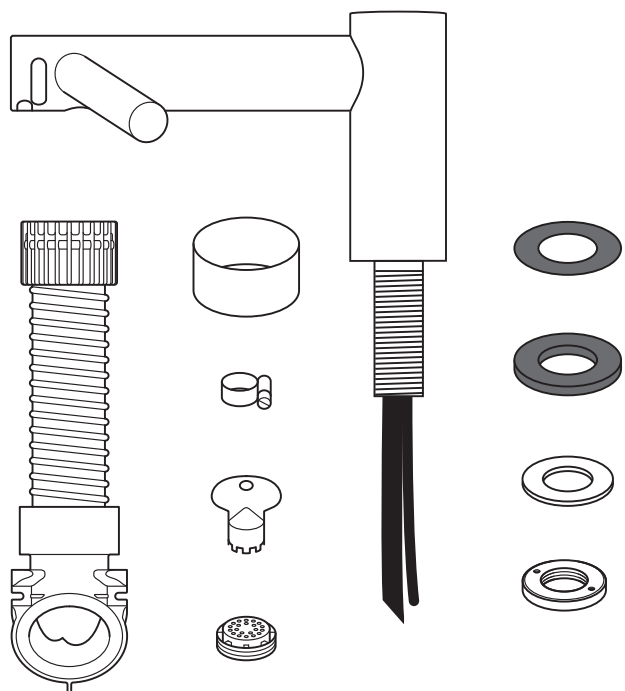
ПРЕДУПРЕЖДЕНИЕ

Будьте осторожны при распаковке компонентов изделия. Острые края/углы могут привести к порезам и травмам.

НЕ ИСПОЛЬЗУЙТЕ МОЕЧНЫЕ АППАРАТЫ ВЫСОКОГО ДАВЛЕНИЯ ДЛЯ ОЧИСТКИ УСТРОЙСТВА И ПОВЕРХНОСТЕЙ РЯДОМ С НИМ

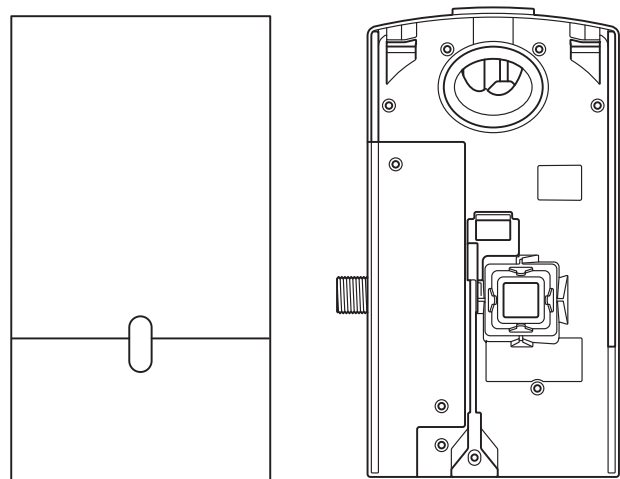
Комплект поставки

RU



x2  

x1  



Требуемые инструменты:

- Малая крестовая отвертка
- Отвертка с прямым шлицем 7 мм
- Крестообразная отвертка 2,5 мм
- Отвертка Torx T15
- Рулетка и карандаш
- Дрель
- Соответствующее сверло
- Плоскогубцы / устройство для зачистки проводов
- Нож
- Раздвижной ключ

Проверки перед установкой

Рис. А

Планирование перед установкой

Сушилка для рук Dyson Airblade Wash+Dry сконструирована таким образом, чтобы блок электродвигателя монтировался на стене и находился под раковиной; см. рис. А(i).

Крепеж встроенного фильтра предохраняет от любого повреждения, которое может привести к изменению условий гарантии.

- Оставьте достаточно места для установки и обслуживания; см. рис. А(ii).
- Устройство рассчитано на использование только в сухой среде внутри помещения.
- Соответствующие инструкции по установке см. в региональных и федеральных нормах и положениях о доступности для использования. За соблюдение данных правил и нормативов несет ответственность установщик. Убедитесь, что устройство устанавливается в соответствии со всеми строительными нормами и/или актами.
- Средства защиты и полного отключения питания должны быть встроены в стационарную электропроводку в соответствии с требованиями региональных норм безопасности.
- Перед установкой и обслуживанием необходимо отключить подачу воды и электропитание.
- Убедитесь, что непосредственно под местом сверления/монтажа в стене не проходят трубы (газовые, водопроводные, вентиляционные), электрические кабели, провода или каналы.

- Компания Dyson рекомендует использовать защитную одежду, защитные очки и другие средства защиты в ходе установки/ремонта.
- Данное устройство должно иметь постоянное подключение к водопроводной сети.

Использование в местах приготовления пищи

При использовании в зоне приготовления пищи требуется особая установка, при которой стакан электродвигателя и шланг очищаемый корпус или разместить стакан электродвигателя за стеной, обеспечивая достаточное расстояние снизу для очистки (если применимо) и не приближая устройство менее чем на 2,5 метра к незакрытым пищевым продуктам или к контактирующим с ними поверхностям.

Перед установкой см. рекомендации относительно раковины на сайте www.dyson.com.ru.

Рис. В

Руководство по спецификации раковины

Благодаря специальному методу тестирования инженеры Dyson проверили совместимость широкого ряда раковин с сушилкой для рук Dyson Airblade Wash+Dry. Рекомендуемые раковины см. в нашем руководстве на веб-сайте www.dyson.com.ru.

Оптимальным выбором являются раковины из фарфора или шлифованного металла.

Избегайте использования раковин с хорошо отполированной поверхностью, например из отражающего хрома.
Минимальные размеры раковины см. на рис. В.

Рис. С/D/E

Установка крана

Между верхом раковины и центром крана должно быть расстояние 100 мм (мин.) или 150 мм (макс.); см. рис. С.

Между центром крана и боковой стеной должно быть расстояние не менее 290 мм. Между центрами кранов, устанавливаемых рядом друг с другом, должно быть расстояние не менее 580 мм. Это необходимо для обеспечения требуемого пространства для монтажа насоса с электродвигателем, а также пространства для пользователей; см. рис. D.

Не размещайте датчик воды, расположенный снизу смесителя, над отражающей поверхностью, например над сливом или дренажным отверстием; см. рис. E.

Рис. F

Мыло и расположение дозатора мыла

Компания Dyson рекомендует пользователям применять гелевое мыло.

Зона ИК-датчика для активации подачи воздуха располагается вдоль каждого бокового ответвления крана. Чтобы предотвратить случайную активацию, важно определить траекторию движения рук пользователя к дозатору мыла.

Дозатор необходимо установить на расстоянии не менее 60 мм от ширины крана, чтобы движения пользователей не

отклонялось от этой линии.

Дозатор должен быть установлен выше боковых ответвлений кранов на расстоянии не менее 60 мм, чтобы датчики не включались.

Помните, что возможна диагональная траектория движения рук пользователя к мылу. Эта траектория не должна проходить через зону датчиков.

Рис. G/H

Отвод воды

Из-за высокой скорости воздуха и близости воды существует вероятность попадания воды и мыла за пределы раковины. Чтобы смягчить этот эффект, соблюдайте указанные ниже рекомендации.

Профиль основания раковины

Плоский профиль основания обуславливает плохой отвод воды, что способствует появлению брызг.

Чтобы улучшить отвод воды, не выбирайте раковины с плоским дном, обратите внимание на прилегающую к сливному отверстию область с радиусом не менее 60 мм; см. рис. G.

Минимальный угол схода 6° от края сливного отверстия раковины приведет к улучшению отвода воды и сократит уровень брызг (минимальный радиус: 60 мм); см. рис. H.

Рис. I/J/K

Края основания раковины

Необходимо также обратить внимание на переход основания раковины к передней и задней стенке. Задняя стенка раковины должна составлять с основанием угол как можно ближе к 90° и иметь как можно более острый радиус; см. рис. I. Искривление геометрии способствует увеличению брызг (см. рис. J), поэтому следует избегать покатости переходов задней и передней стенок; см. рис. K.

Рис. L

Сливное отверстие

Рекомендуется использовать сливные отверстия с самым открытым вырезом, избегайте использования отверстий с решеткой или перфорированного типа, так как они ограничивают отвод мыльной воды (пены). Раковины не должны быть оснащены пробками сливных отверстий.

Рис. M

Управление температурой воды

Если в систему подается горячая и холодная вода, необходимо установить смеситель. Если подается только холодная вода, необходимо установить нагреватель.

Система подачи воды к данному устройству должна быть оборудована устройством контроля температуры, соответствующим местным правилам.

A= кран-смеситель

B= подача горячей и холодной воды

C= требуемая температура на выходе

D= запорный клапан

E= нагреватель

F= вход холодной воды

Дополнительная информация

Установка

Не используйте герметики при креплении устройства к стене. Убедитесь в том, что электрическая сеть, подведение смешанного водоснабжения и канализация доступны для подключения. Для отключения линий снабжения перед установкой и для обслуживания необходима надлежащая изоляция линий электро- и водоснабжения.

Электрическая система

Входное напряжение/частота: см. щиток номинальных данных.

Изоляция с помощью блока выключателя с плавким предохранителем или устройства защитного отключения. Ток 6,6 А.

Спецификации кабеля: двухжильный ПВХ + одножильный ПВХ (заземление).

При установке и ремонте изделия необходимо соблюдать региональные положения для электрических систем. Потребляемая мощность: см. табличку с номинальными данными.

Диапазон рабочих температур: 0–40 °C.

Потребляемая мощность в режиме ожидания: менее 0,5 Вт.

Максимальная высота над уровнем моря: 2 000 метров.

Водная система

Скорость потока воды: 4 л/мин, с обычным аэратором. 1,9 л/м с аэратором экономичного потока, поставляемым с продуктом.

Требуемое давление воды: 1–8 бар. Для обслуживания требуется запорный клапан 1/2 дюйма BSP.

Расположите вторичный обратный отвод горячей воды максимально близко к крану смесителя, чтобы минимизировать риск роста популяции бактерий Легионеллы.

Промывание в авторежиме

Устройство оборудовано функцией автоматического промывания водой, которая активируется на 60 секунд через каждые 24 часа после последнего использования. Это помогает уменьшить застой воды и снизить риск распространения бактерий внутри изделия.

Убедитесь, что устройство всегда установлено поверх действующей раковины с открытой дренажной системой.

Чистота подаваемой воды и биологическое обрастание

В некоторых странах существуют правила и рекомендации, которые требуют регулярной очистки системы подачи воды с регулируемой температурой (такая система используется в сушилке для рук Dyson Airblade Wash+Dry) для уменьшения биологического обрастания. Для обеспечения соответствия этим правилам сушилка для рук Dyson Airblade Wash+Dry была разработана и протестирована таким образом, чтобы выдержать внутреннюю очистку с помощью горячей воды (до 95 °C) и гипохлорит натрия с концентрацией 0,45 %.

Информацию о режимах очистки и биологическом обрастании, применимую к вашей стране, см. в рекомендациях по системе подачи воды.

При проведении внутренней очистки сушилки для рук Dyson Airblade Wash+Dry соблюдайте все рекомендации по безопасности при использовании горячей воды и химических веществ. Компания Dyson не несет ответственности за травмы, полученные в результате этого процесса.

Проверка на защиту от злонамеренного воздействия

Сушилка для рук Dyson Airblade Wash+Dry подвергалась жесткому тестированию на соответствие условиям воздействия значительных сил, характерных для коммерческой и общественной среды применения.

Пошаговые инструкции

Рис. 1

Размещение

Установите кран над серединой раковины; см. рис. 1.

Вырежьте отверстие диаметром 35 мм в рабочей поверхности, если необходимо.

Рис. 2

Установка крана

Установите резиновую прокладку толщиной 1 мм на кран-буксу; см. рис. 2а.

Проведите кран-буксу и закрепленную водопроводную трубку, а также кабель связи через отверстие в рабочей поверхности. Убедитесь, что резиновая прокладка толщиной 1 мм установлена под краном ровно и гладко.

Убедитесь, что кран находится в правильном положении над раковиной. Установите резиновую прокладку толщиной 3,5 мм на кран-буксу.

Вставьте винты в латунное стопорное кольцо и слегка затяните их, чтобы удерживать на месте.

Установите металлическую шайбу на кран-буксу.

Наверните латунную контргайку на кран-буксу, оставляя зазор не более 5 мм между металлической шайбой и латунной контргайкой.

Затяните винты, проходящие через латунную контргайку в металлическую шайбу, вручную.

А= резиновая прокладка толщиной 1 мм
Б= кран-букса
В= водопроводная трубка
Г= кабель датчика
Д= резиновая прокладка толщиной 3,5 мм
Е= металлическая шайба
Ж= латунное стопорное кольцо
З= 2 винта

Рис. 3

Установка шланга

Натяните серый шланг на водопроводную трубку и кабель датчика; см. рис. 3а.

Проведите водопроводную трубку через левое выходное отверстие в патрубке шланга, как показано на рис. 3б.

Аккуратно проденьте водопроводную трубку до сплошной белой линии с помощью плоскогубцев; рис. 3б.

Убедитесь, что резиновая изоляционная втулка на водопроводной трубке плотно подходит к патрубку шланга, создавая герметичность; см. рис. 3б.

Аккуратно проведите кабель датчика через правое выходное отверстие, как показано на рис. 3в. НЕ используйте плоскогубцы, это может привести к повреждению электрических соединений; рис. 3в. Убедитесь, что резиновая изоляционная втулка на кабеле плотно подходит к патрубку шланга, создавая герметичность; см. рис. 3г. Для уплотнения соединения можно использовать силиконовую смазку.

Заверните верхний штуцер шланга рукой до отказа на кран-буксу; см. рис. 3д.

А= серый шланг
Б= водопроводная трубка
В= кабель датчика

Рис. 4

Подготовка к установке заднего щитка

Снимите стакан электродвигателя с заднего щитка, нажав на красную собачку в нижней части и подняв его, как показано на рис. 4а.

Сохраните стакан электродвигателя до тех пор, пока он не потребуется. Снимите крышку водопроводной трубы и крышку электрического блока с заднего щитка с помощью отвертки со звездообразной насадкой с номером шлица T15, как показано на рис. 4б и 4в. Сохраните их и крепежные детали до тех пор, пока не потребуются.

Рис. 5

Установка заднего щитка и шланга

Задний щиток можно установить одним из трех способов: вертикально или горизонтально под углом 90°, слева или справа. Зазор от пола должен составлять не менее 100 мм; см. рис. 5а.

Убедитесь, что задний щиток расположен таким образом, чтобы до него легко доставал шланг.

НЕЛЬЗЯ размещать электродвигатель обратной стороной вверх, когда шланг направлен вниз, или размещать выше крана; см. рис. 5б.

Отметьте место для заднего щитка на стене.

Ввод кабеля

Ввод кабеля может осуществляться через основание или со стороны стены, прямо через заднюю часть блока, через заднюю точку ввода кабеля. Выберите сторону, перед тем как продолжить.

При выборе варианта ввода кабеля через основание воспользуйтесь плоскогубцами для аккуратного извлечения отмеченной съемной пластины в основании заднего щитка. Обработайте края съемной пластины, чтобы они были гладкими; см. рис. 5в.

Подача воды

Водопроводное соединение выполняется в левой стороне заднего щитка. Водопроводное соединение нельзя поворачивать на заднем щитке; см. рис. 5в.

Рис. 6

Установка заднего щитка

Если вы выбрали заднюю точку ввода кабеля, перед закреплением заднего щитка на стене следует протянуть кабель электропитания.

Закрепите задний щиток на стене с помощью соответствующего крепежа; рис. 6.

Не используйте утопленные винты.

Рис. 7

Подсоединение кабеля датчика

Закрепите серый шланг в заднем щитке.

Подключите кабель датчика в шланге к разъему на заднем щитке, как показано на рис. 7. Проверьте ориентацию разъема; два фиксатора должны быть выровнены. Убедитесь, что кабель правильно проведен в заднем щитке.

Рис. 8

Подсоединение трубки воды

Обрежьте водопроводную трубку по белой пунктирной линии, как показано на рис. 8а.

Установите хомут шланга (входит в комплект) на водопроводную трубку; рис. 8б.

Отверните 2 винта с крестообразным шлицем и отсоедините соленоид от заднего щитка; рис. 8б.

Подсоедините водопроводную трубку к соленоиду см. рис. 8в.

Прикрепите соленоид обратно к заднему щитку и затяните 2 винта; см. рис. 8г.

Затяните хомут шланга и убедитесь, что кабель соленоида правильно расположен в удерживающем канале.

Рис. 9

Подсоединение источника электропитания

Проложите электропитание к заднему щитку при помощи твердых или гибких кабелепроводов и крепежных деталей. Убедитесь, что кабель питания имеет достаточную длину для подключения к распределительной коробке на заднем щитке.

Проложите кабель к заднему щитку и затяните кабельную втулку.

Зачистите концы кабеля до приемлемой длины и закрепите фазу питания и нулевой провод в соответствующих клеммных колодках, как показано на рис. 9. Перед продолжением убедитесь в правильности расположения кабелей.

Рис. 10

Установка крышки электрического блока

Закрепите крышку электрического блока с помощью 6 креплений, входящих в комплект поставки, и убедитесь, что провода не пережаты.

Рис. 11

Подсоединение смешанного водоснабжения

ПРИМЕЧАНИЕ. Перед подключением к щитку убедитесь, что в системе подачи воды не осталось грязи, медной стружки и других частиц. В противном случае возможно повреждение соленоида что приведет к неправильному закрытию и появлению утечки.

Подсоедините изолированное смешанное водоснабжение к задней крышке. Включите воду.

Проверьте главный вход водоснабжения и соединение трубки воды к крану на отсутствие утечек.

Проверьте также соединение соленоида на утечки.

Рис. 12

Включение питания

Включите питание устройства.

ЦИКЛ КАЛИБРОВКИ: после включения кран проходит 30-секундный цикл калибровки.

По истечении этого времени поместите руку под датчиком, чтобы активизировалась подача воды; см. рис. 12а.

Проверьте на наличие утечек; см. рис. 11.

Закрепите крышку водопроводной трубы на заднем щитке с помощью двух крепежных деталей, входящих в комплект; см. рис. 12б.

Рис. 13

Установка стакана электродвигателя

Закрепите электродвигатель в верхней части крышки электрического блока. Поверните его вниз до щелчка, как показано на рисунке. Толкните внутрь, чтобы убедиться в плотности крепления см. рис. 13а.

ДОПОЛНИТЕЛЬНО. С помощью винта, входящего в комплект, можно закрепить красную кнопку фиксации для предотвращения случайного снятия стакана электродвигателя.

Проверьте правильную работу устройства.

Закрепление стакана электродвигателя на заднем щитке (необязательно).

Для снятия фильтра аккуратно надавите отверткой на лапку, как показано рис. 13б.

Закрепите стакан электродвигателя к заднему щитку с помощью прилагаемых винтов безопасности; см. рис. 13в.

Подсоедините повторно фильтр, убедившись, что он защелкнулся на месте; см. рис. 13г.

Проверка установки

Выполните следующие действия для проверки правильной работы сушилки для рук:

- Поместите руки под центром крана, чтобы автоматически активировать поток воды.
- Поместите руки по обе стороны от центра крана, чтобы активировать сушилку и высушить руки.
- Медленно перемещайте руки вперед и назад через воздушный поток. Поверните руки, чтобы они полностью находились под воздушным потоком.

Поиск и устранение неисправностей

Сушилка для рук не включается:

- Проверьте состояние плавкого предохранителя/автоматического выключателя, а также наличие подачи электропитания и воды.
- Убедитесь, что чистящая крышка снята, датчики чистые и ничем не закрыты.
- Выключите и включите устройство дайте ему откалиброваться.

Сушилка для рук включается и выключается с перебоями.

- Выключите и включите устройство.
- Убедитесь, что в раковине нет пробки. Выньте пробку, если она присутствует.
- Убедитесь, что датчики чистые.
- Убедитесь, что кабель датчика крана надежно подсоединен.

Иногда сушилка для рук работает с перебоями:

- Выключите и включите устройство.
- Убедитесь, что датчики чистые.
- Убедитесь, что впускные отверстия для воздуха чистые и не содержат пыли. Если впускные отверстия для воздуха содержат пыль, просто удалите ее.
- Убедитесь, что впускные отверстия для воздуха не содержат посторонних предметов и являются достаточно чистыми.

Возросло время сушки.

- Проверьте впускные отверстия для воздуха на наличие пыли, и, если она есть, удалите ее.
- Проверьте фильтр и при необходимости замените.
- Убедитесь в надежности крепления шланга к основанию крана и в отсутствии утечек.

Поток воздуха стал горячее, чем обычно:

- Проверьте впускные отверстия для воздуха на наличие пыли, и, если она есть, удалите ее.
- Проверьте фильтр и при необходимости замените.
- Убедитесь в надежности крепления шланга к основанию крана и в отсутствии утечек.

Не прекращается подача воздуха:

- Убедитесь, что в раковине нет предметов. Удалите их при необходимости.
- Убедитесь, что датчики чистые и не закрыты посторонними предметами.
- Проверьте фильтр и при необходимости замените.
- Убедитесь в надежности крепления шланга к основанию крана и в отсутствии утечек.

Отсутствует подача воздуха:

- Выключите и включите устройство.
- Проверьте состояние плавкого предохранителя/автоматического выключателя, а также наличие подачи электропитания.
- Убедитесь, что датчики чистые.
- Убедитесь в надежности крепления шланга для подачи воздуха к основанию крана и в отсутствии утечек.
- Убедитесь, что кабель датчика крана надежно подсоединен.

Вода из крана идет без остановки:

- Убедитесь, что датчики чистые и не закрыты посторонними предметами.

Вода из крана не идет:

- Убедитесь, что электропитание и водоснабжение подключено, а запорный клапан открыт.
- Убедитесь, что аэратор свободен от мусора, удалите или очистите/замените при необходимости.

Вода, идущая из крана, очень горячая или холодная:

- Убедитесь, что на кране-смесителе установлена нужная температура. Дальнейшую помощь и информацию можно получить в службе поддержки клиентов Dyson или на сайте www.dyson.com.ru

<p>Наименование изделия: Сушилка для рук Dyson AirBlade Модель: WD04, WD05</p>
<p>Напряжение питания: 220-240 Вольт Частота: 50-60 Гц Мощность потребляемая: 1000 Вт. Пожалуйста, обратите внимание: Мелкие детали могут отличаться от показанных.</p>
<p>Срок службы изделия: 7 лет. Срок гарантии: 5 лет.</p>
<p>Нами приложены все возможные усилия, чтобы избежать любых ошибок и обеспечить точность и надежность информации, изложенной в настоящем руководстве. Однако мы не даем полной гарантии отсутствия ошибок, которые не были обнаружены и исправлены до выхода руководства в печать. Указанные особенности и технические параметры изделия могут отличаться от реальных.</p>
<p>Местонахождение организации, производящей ремонт и техническое обслуживание: ООО «Простор», г. Москва, ул. Воронцовская, д.20.</p>
<p>Сделано в Малайзии. Адрес изготовителя: Дайсон Технолоджи Лимитед., Тетбери Хил, Малмсбери, Уилтшир, Англия, SN160RP Импортёр и уполномоченная изготовителем компания: ООО Дайсон, 119048, г. Москва ул. Усачева, д. 35А, тел.: +7 499 530 12 12</p>
<p>Для информационной поддержки: info.russia@dyson.com, тел.: 8 800 100 100 2 (звонок по России бесплатный) с 9:00 до 21:00 (кроме гос. праздников)</p>
<p>Определение даты производства по серийному номеру: Первая латинская буква в восьмизначном блоке символов определяет год производства: А - 2009, В - 2010, С - 2011, D - 2012, Е - 2013 и т.д. по возрастанию в соответствии с английским алфавитом. Следующая латинская буква в диапазоне от А до N (за исключением букв I и L – они не используются) определяет месяц изготовления: А – январь, В – февраль, С – март, D – апрель, Е – май, F – июнь, G – июль, H – август, J – сентябрь, K – октябрь, M – ноябрь, N – декабрь.</p>
<p>Товар соответствует требованиям Технических регламентов Таможенного союза "О безопасности низковольтного оборудования" (ТР ТС 004/2011) и "Электромагнитной совместимости технических средств" (ТР ТС 020/2011), о чем свидетельствуют соответствующие сертификаты, а также маркировка товара единым знаком обращения продукции на рынке государств - членов Таможенного союза.</p>
<p>EAC</p>

RU

اختبار التركيب استكشاف الأخطاء وإصلاحها

اختبر مجفف الأيدي للتأكد من التشغيل العادي:

- ضع يدك تحت مركز الصنبور وسيتدفق الماء تلقائيًا طالما أن اليدين تحت الصنبور.
- ضع يدك على أحد جانبي مركز الصنبور لتنشيط مجفف الأيدي.
- حرّك يدك للخلف وللأمام ببطء داخل الهواء. اقلب يدك بحيث يتعرض باطن اليد وظاهرها لتدفق الهواء.

فشل بدء تشغيل مجفف الأيدي:

- تحقق من أن قاطع الدائرة/قاطع التيار قيد العمل واتصال مصدر الطاقة والماء.
- تأكد من إزالة غطاء التنظيف ونظافة المستشعرات وعدم انسدادها.
- قم بإيقاف تشغيل الوحدة ثم تشغيلها.

يعمل مجفف الأيدي ويتوقف عن العمل

- من تلقاء نفسه بصورة غير منتظمة:
- قم بإيقاف تشغيل الوحدة ثم تشغيلها.
- تأكد من عدم وجود سدادة في الحوض وقم بإزالتها إذا كانت موجودة.
- تأكد من نظافة المستشعرات.
- تحقق من أن كابل المستشعر محكم التوصيل من الصنبور.

أحيانًا يتوقف مجفف الأيدي فجأة أثناء الاستخدام:

- قم بإيقاف تشغيل الوحدة ثم تشغيلها.
- تأكد من نظافة المستشعرات.
- تحقق من نظافة مداخل الهواء وخلوها من الأتربة. في حالة وجود غبار بمداخل الهواء، قم بإزالته فقط.
- تأكد من خلو مداخل الهواء من أي انسدادات وصفائها بدرجة كافية.

ازداد وقت التجفيف:

- افحص مداخل الهواء لاكتشاف ما إذا كان بها أتربة وقم بإزالة هذه الأتربة إن وجدت.
- افحص المرشح وقم بتغييره إذا تطلب الأمر ذلك.
- تأكد من أن الخرطوم مثبت بإحكام في قاعدة الصنبور وأنه لا يوجد أي تسريب.

الهواء المتدفق أسخن من المعتاد:

- افحص مداخل الهواء لاكتشاف ما إذا كان بها أتربة وقم بإزالة هذه الأتربة إن وجدت.
- افحص المرشح وقم بتغييره إذا تطلب الأمر ذلك.
- تأكد من أن الخرطوم مثبت بإحكام في قاعدة الصنبور وأنه لا يوجد أي تسريب.

يتدفق الهواء باستمرار:

- افحص الحوض للتحقق من وجود أي أجسام به وإزالتها إذا لزم الأمر.
- تأكد من أن المستشعرات نظيفة وخالية من أي انسدادات.
- افحص المرشح وقم بتغييره إذا تطلب الأمر ذلك.
- تأكد من أن الخرطوم مثبت بإحكام في قاعدة الصنبور وأنه لا يوجد أي تسريب.

لا يتدفق أي هواء:

- قم بإيقاف تشغيل الوحدة ثم تشغيلها.
- تحقق من أن قاطع الدائرة/قاطع التيار قيد العمل واتصال مصدر الطاقة.
- تأكد من نظافة المستشعرات.
- تأكد من أن خرطوم الهواء مثبت بإحكام في قاعدة الصنبور وأنه لا يوجد أي تسريب.
- تحقق من أن كابل المستشعر محكم التوصيل من الصنبور.

يخرج الماء بشكل مستمر من الصنبور:

- تأكد من أن المستشعرات نظيفة وخالية من أي انسدادات.

الماء لا يخرج من الصنبور:

- تأكد من أن مصدر الكهرباء والماء قيد التشغيل وأن صمام العزل مفتوح.
- تأكد من أن جهاز التهوية خال من الرواسب، وقم بإزالتها ونظفها / استبدله إذا لزم الأمر.

الماء الخارج من الصنبور شديد الحرارة أو البرودة:

- تأكد من ضبط صمام الخلط على درجة الحرارة المطلوبة.

اتصل بخدمة عملاء Dyson للحصول على مزيد من الدعم والمعلومات أو تواصل عبر الإنترنت على موقع www.dyson.com

قم بتثبيت اللوحة الخلفية على الجدار باستخدام المثبتات المناسبة الشكل ٦.

لا تستخدم براغٍ غاطسة الرأس.

الشكل ٧

توصيل كابل المستشعر

ثبت الخرطوم الرمادي في اللوحة الخلفية بمشبك.

وصل كابل المستشعر بالخرطوم بالموصل في اللوحة الخلفية كما هو مبين في الشكل ٧. افحص اتجاه الموصل؛ يجب محاذاة اللسانين. تأكد من توجيه الكابل بشكل صحيح في اللوحة الخلفية.

الشكل ٨

توصيل أنبوب الماء

اقطع أنبوب الماء من الخط الأبيض المنقط كما هو مبين في الشكل ٨أ.

حرّك مشبك الخرطوم (مرفق) على أنبوب الماء الشكل ٨ب.

أزل برغي فيليبس وفك الملف اللولبي من اللوحة الخلفية الشكل ٨ب.

اربط خرطوم الماء بالملف اللولبي الشكل ٨ج.

اربط الملف اللولبي مرة أخرى باللوحة الخلفية وثبت برغي فيليبس الشكل ٨د.

أحكم ربط مشبك الخرطوم بإحكام وتأكد من أن كابل الملف اللولبي في وضع صحيح في قناة الاحتجاز.

الشكل ٩

توصيل مصدر الكهرباء

قم بتوجيه مصدر الكهرباء نحو اللوحة الخلفية باستخدام أنبوب مرن أو صلب وتجهيزات معتمدة. تأكد من أن طول كابل الكهرباء يكفي لتوصيل مجموعة أطراف التوصيل المثبتة في اللوحة الخلفية.

قم بتوجيه الكابل نحو اللوحة الخلفية وإحكام ربط جلبة حشو الكابل.

قم بتعرية الكابل بالطول المناسب وتثبيت الأسلاك المشحونة بالكهرباء والمحايدة في مجموعة أطراف التوصيل المناسبة كما هو مبين في الشكل ١٢. تأكد من وضع الكابلات بالطريقة الصحيحة قبل المتابعة.

الشكل ١٠

إعادة تركيب غطاء الأجسام الكهربائية

قم بتركيب غطاء الأجسام الكهربائية وتثبيتها باستخدام أدوات التثبيت الستة المرفقة مع التأكد من عدم انحشار الأسلاك.

الشكل ١١

توصيل مصدر الماء المخلوط

تأكد من شطف مصدر الإمداد بالمياه بالكامل للتخلص من المخلفات وبرادة النحاس وغيرها قبل توصيله باللوحة الخلفية. فقد يؤدي عدم القيام بذلك إلى تلف الصمام ذي الملف اللولبي وينتج عنه عدم إغلاقه بشكل صحيح مما يتسبب في تنقيط الصنبور.

قم بتوصيل مصدر الماء المخلوط المعزول باللوحة الخلفية.

قم بفتح الماء.

افحص لاكتشاف التسريبات في مدخل مصدر إمداد الماء الرئيسي ووصلة أنبوب الماء بالصنبور.

افحص التسريبات أيضاً في وصلة الملف اللولبي.

الشكل ١٢

تشغيل الطاقة

قم بتوصيل الكهرباء للجهاز.

دورة المعايرة: بمجرد التركيب، سيمر الصنبور بدورة معايرة لمدة ٣٠ ثانية.

ضع يدك أسفل المستشعر الموجود على الصنبور لتنشيط تدفق الماء. الشكل ١٢أ.

تحقق من وجود تسريبات حسب الشكل ١١.

أحكم ربط غطاء ماسورة الماء في اللوحة الخلفية باستخدام المثبتات المرفقة. الشكل ١٢ب.

الشكل ١٣

تركيب حاوية المحرك

قم بتعليق حاوية المحرك على غطاء الأجسام الكهربائية. اجعلها تتدلى لأسفل حتى تثبت في مكانها مع سماع صوت تكة كما هو مبين. اضغط عليها بإحكام Fig. ١٣أ.

اختياري: تم توفير مسمار لتأمين زر التحرير الأحمر ومنع الإزالة غير المرغوب فيها لحاوية المحرك.

اختبر الوحدة للتأكد من صحة التشغيل.

تثبيت حاوية المحرك على اللوحة الخلفية (اختياري).

لإزالة المرشح، استخدم مفك براغي برفق لفك اللسان الموجود على المرشح كما هو موضح بالشكل ١٣ب.

قم بتثبيت حاوية المحرك على اللوحة الخلفية باستخدام برغي الأمان المرفق الشكل ١٣ج.

أعد توصيل المرشح للتأكد من استقراره في مكانه مع سماع صوت تكة الشكل ١٣ج.

خطوة بخطوة

الشكل ١

الموضع

ضع الصنبور بحيث يكون فوق وسط الحوض
الشكل ١..

صمم فتحة قطرها ٣٥ مم في سطح العمل، إذا
لزم الأمر.

الشكل ٢

تركيب الصنبور

قم بتحريك السدادة المطاطية التي يبلغ
حجمها ١ مم على عنق الصنبور الشكل ٢أ.

قم بإدخال عنق الصنبور وأنبوب الماء المرفق
وكابل التوصيل من خلال الفتحة الموجودة
في سطح العمل. تأكد أن السدادة المطاطية
التي يبلغ قطرها ١ مم مستقرة أسفل
الصنبور مباشرة وفي وضع مستوي.

تأكد أن الصنبور في الوضع الصحيح
فوق الحوض.

قم بتحريك السدادة المطاطية التي يبلغ
حجمها ٣.٥ مم على عنق الصنبور.

ادخل البراغي في حلقة الزنق النحاسية
وأحكام ربطها برفق لتثبيتها في أماكنها.

حرّك الحلقة المعدنية على عنق الصنبور.

اربط صمولة الزنق النحاسية الموجودة
على عنق الصنبور، مع ترك فتحة أقل من أو

تساوي ٥ مم بين الحلقة المعدنية وصمولة
الزنق النحاسية.

أحكام ربط البراغي من خلال صمولة الزنق
النحاسية في الحلقة المعدنية، حتى يتم
إحكامها باليد.

أ= السدادة المطاطية بحجم ١ مم
ب= عنق الصنبور
ج= أنبوب الماء
د= كابل المستشعر
ه= السدادة بحجم ٣.٥ مم
ز= الحلقة المعدنية
ح= صمولة الزنق النحاسية
ط= برغي فيليبس

الشكل ٣

تركيب الخرطوم

اسحب الخرطوم الرمادي لأعلى فوق أنبوب
الماء وكابل المستشعر الشكل ٣أ.

قم بإدخال أنبوب الماء من خلال فتحة
الخروج اليسرى في مجرى الخرطوم كما هو
مبيّن في الشكل ٣ب.

استخدم زردية لسحب أنبوب الماء برفق إلى
أبعد حد يصل إليه الخط الأبيض المتصل
الشكل ٣ج.

تأكد من أن العروة الموجودة على أنبوب
المياه مركبة بإحكام في مجرى الخرطوم
بحيث يكون محكم الغلق الشكل ٣ب.

الشكل ٥

تركيب اللوحة الخلفية

يمكن وضع اللوحة الخلفية بطريقة من
ثلاث: عمودية أو بزاوية قائمة ٩٠ درجة أو
أفقية يميناً أو يساراً. يجب أن يكون ارتفاعها
عن الأرضية ١٠٠ مم على الأقل انظر الشكل ٥أ.

تأكد من وضع اللوحة الخلفية بطريقة
تسمح للخرطوم بالوصول إليها بسهولة.
لا تضع المحرك مقلوباً مع خرطوم يتجه
لأسفل، أو فوق الصنبور انظر الشكل ٥ب.

ضع علامة على موضع اللوحة الخلفية
على الجدار.

إدخال الكابل

يمكن إدخال الكابل إما من القاعدة أو من
الجدار مباشرة في ظهر الوحدة عبر نقطة
إدخال الكابل الخلفية. حدد أيهما قبل البدء.

إذا اخترت أن يكون مدخل الكابل من القاعدة،
فاستخدم كماشة لنزع لوحة فتحة المخرج
المحددة سابقاً على قاعدة اللوحة الخلفية
بحرص. قم ببرد حواف مقطع فتحة المخرج
لتنعيمها الشكل ٥ج.

إدخال الماء

تم تصميم وصلة الماء على الجانب الأيسر من
اللوحة الخلفية. لا يمكن تدوير وصلة الماء
داخل اللوحة الخلفية الشكل ٥د.

الشكل ٦

تركيب اللوحة الخلفية

إذا كان من المخطط إدخال الكابل مباشرةً
في اللوحة الخلفية من الجدار، فاسحب
الكابل الكهربائي قبل تثبيت اللوحة الخلفية
على الجدار.

قم بإدخال كابل المستشعر من خلال فتحة
الخروج اليمنى، اسحب برفق أثناء إدخال
الكابل لا تستخدم الزردية الشكل ٣ب. لأن
ذلك ربما يؤدي إلى تلف الوصلات الكهربائية
الشكل ٣ج. تأكد من أن عروة التثبيت
الموجودة على الكابل مركبة بإحكام في
مجرى الخرطوم بحيث يكون مُحكم الغلق.
الشكل استخدام شحم ٥٣. يمكن. السيليكون
للمساعدة في التركيب.

قم بلف طوق الخرطوم العلوي على عنق
الصنبور بحيث يتم إحكام ربطه باليد
الشكل ٥٣.

أ= الخرطوم الرمادي
ب= أنبوب الماء
ج= كابل المستشعر

الشكل ٤

التحضير لتركيب اللوح الخلفي

قم بإزالة حاوية المحرك من اللوحة الخلفية
عن طريق الضغط على مزلاج التحرير الأحمر
في الأسفل والرفع لأعلى كما هو مبيّن في
الشكل ٤أ. خزّن حاوية المحرك بشكل آمن
لحين الحاجة إليها.

قم بإزالة غطاء ماسورة الماء وغطاء الأجسام
الكهربائية من اللوحة الخلفية باستخدام
مفك T١٥ من نوع Torx الشكل ٤ب و٤ج.
وخزنها بشكل آمن مع أدوات التثبيت لحين
الحاجة إليها.

الشكل ل/ي/ك

رابط القاعدة بالجدار الخلفي والأمامي

تجب مراعاة رابط القاعدة بالجدار الخلفي والأمامي أيضًا. يجب أن تكون زاوية الجدار الخلفي قريبة من 90 درجة، ويكون الجدار مستقيمًا قدر الإمكان، الشكل ز. يؤدي الشكل المتقوس إلى احتمالية زيادة الماء المتناثر، في حين يجب تجنب أن تكون روابط الجدار الخلفي والأمامي مائلة، الشكل ح/ط

الشكل ل

مصفاة لتصريف

يوصى بمصفاة التصريف ذات الفتحات الأكثر اتساعًا، بينما يجب تجنب المصفاة ذات النوع الشبكي أو ضيقة الثقوب لأنها تعوق تصريف الماء الممزوج بالصابون (رغوة الصابون). لا تستخدم سدادات داخل مصفاة التصريف في الأحواض.

الشكل م

التحكم في درجة حرارة الماء

إذا تم التوصيل بمصدر للماء البارد والساخن، فستحتاج إلى تركيب صمام خلط.

ستحتاج إلى تركيب سخان، إذا تم التوصيل بمصدر ماء بارد فقط.

يجب أن يكون مصدر المياه بهذا المنتج مُثبَّتًا مع جهاز التحكم في درجة الحرارة وفقًا للائحة المحلية.

A= صمام خلط

B= مصدر للماء الساخن والبارد

C= درجة الحرارة المطلوبة الخارجية

D= صمام العزل

E= سخان

F= مصدر الماء البارد

معلومة إضافية

التركيب

لا تستخدم مادة مانعة للتسرب عند تثبيت الوحدة على الجدار. تأكد من توفر وصلات مصادر الإمداد بالكهرباء والماء المخلوط والصرف للتوصيل. ينبغي إجراء عزل مناسب لمصادر الإمداد بالكهرباء والماء لإيقاف تشغيل مصادر الإمداد قبل التركيب ومن أجل التشغيل.

المواصفات الكهربائية

جهد الدخل/ التردد: راجع لوحة القياس. معزولة بواسطة منفذ بارز به منصهر ومفتاح أو جهاز التيار الفرقي (RCD) حسبما يكون مناسبًا. التيار 6.6 أمبي. مواصفات الكابل: PVC مزدوج القلب + PVC أحادي القلب (تأريض) يجب الالتزام بلوائح الكهرباء المحلية عند تركيب المنتج أو إصلاحه. الطاقة المقدرة: راجع لوحة القياس. نطاق درجة حرارة التشغيل: 0° - 40° مئوية. استهلاك الطاقة الكهربائية المتسربة: أقل من 0.5 واط. أقصى ارتفاع: 2000 متر.

تشغيل المياه

معدل تدفق المياه: 4 لترات/دقيقة لجهاز التهوية العادي. 1.9 لترًا/دقيقة مع جهاز التهوية منخفض التدفق المرفق مع المنتج. ضغط الماء المطلوب: 1-8 بار. يتطلب صمام معزول BSP مقاس 1/2 بوصة لإجراء الصيانة. حافظ على إبقاء مصدر إرجاع الماء الساخن الثانوي قريبًا من صمام الخلاط قدر المستطاع لتقليل مخاطر نمو البكتيريا الفيلقية.

الشطاف الآلي

تحتوي الوحدة على شطاف آلي ثابت يعمل بالماء، يتم تشغيله لمدة 60 ثانية كل 24 ساعة بعد آخر استخدام. ويساعد ذلك على تقليل ركود الماء وتكاثر البكتيريا داخل المنتج.

يُرجى التأكد من تركيب الوحدة فوق حوض سليم متصل بصرف غير مسدود.

نظافة مصدر المياه والنمو البيولوجي

توجد في بعض الدول لوائح أو إرشادات تتطلب أن تخضع أنظمة مصادر المياه ذات درجة الحرارة المتحكم بها (مثل تلك المرفقة مع مجفف الأيدي Dyson Airblade Wash+Dry) للتطهير المنتظم للحد من أي نمو بيولوجي. لتمكينك من الامتثال لهذه اللوائح، تم تصميم مجفف الأيدي Dyson Airblade Wash+Dry واختباره بحيث يتحمل التطهير الداخلي باستخدام الماء الساخن الذي تصل درجة حرارته إلى 95° مئوية وباستخدام هيبوكلوريت الصوديوم بتركيز 0.45%.

يرجى مراجعة لوائح (السوق) المحددة وتوصيات نظام مصدر المياه للحصول على معلومات حول أنظمة التطهير الخاصة بنظافة مصدر المياه والنمو البيولوجي في بلدك.

عند تنفيذ عملية التطهير الداخلي لمجفف الأيدي Dyson Airblade Wash+Dry، يرجى الانتباه إلى أي اعتبارات متعلقة بالسلامة

عند استخدام الماء الساخن أو المواد الكيميائية. لن تتحمل Dyson مسؤولية أي إصابة تحدث نتيجة هذه العملية.

الاختبار القاسي

تم إخضاع مجفف الأيدي Dyson Airblade Wash+Dry لاختبار قاس وصارم للتأكد من تحمله للقوى والصدمات الكبيرة المعتادة في بيئة الحمامات التجارية والعمامة.

عمليات الفحص قبل التركيب

الشكل أ

تخطيط ما قبل التركيب

تم تصميم مجفف الأيدي Dyson Airblade Wash+Dry بحيث تكون وحدة المحرك مثبتة على الجدار وتوجد أسفل الحوض **الشكل أ (1)**.

يُنصح بتركيب مرشح داخلي لمنع أي ضرر قد يؤثر في ضمانك.

- اترك مساحة وصول كافية من أجل التركيب والصيانة، انظر **الشكل أ (2)**.
- الوحدة مصممة لموقع داخلي جاف فقط
- يُرجى مراجعة قوانين ولوائح إمكانية الوصول المحلية والقومية الخاصة بإرشادات التركيب الملائم. تعد المطابقة والتوافق مسؤولية القائم بعملية التركيب.
- تأكد من تركيب الوحدة باستخدام الأنبوب المرفق وغطاء الأنبوب والحاوية المعدنية.
- يجب تضمين وسيلة لفصل جميع الأقطاب في الأسلاك المحددة، وفقاً للوائح توصيل الأسلاك المحلية.
- أفضل مصدر الكهرباء والماء قبل التركيب أو الصيانة.
- تأكد من عدم وجود مواسير (غاز، ماء، هواء) أو كابلات كهربائية أو أسلاك أو أنابيب خلف منطقة الثقب / التركيب مباشرة.
- توصي Dyson باستخدام الملابس والنظارات والمواد الواقية عند التركيب / الإصلاح إذا لزم الأمر.
- هذا الجهاز معد للتوصيل بشكل دائم بأنابيب المياه الرئيسية.

الشكل ب/ج/د

تركيب الصنبور

يجب ترك مسافة أُنحائها 100 مم وأقصاها 155 مم من قمة الحوض إلى مركز الصنبور. الشكل ج.

يجب ترك مسافة 290 مم على الأقل بين مركز الصنبور والجدار الجانبي. عند تركيب صنابير متعددة بجانب بعضها، يجب أن تبعد مراكز الصنابير مسافة 580 مم على الأقل عن بعضها البعض. حيث يتيح هذا مساحة كافية لتركيب حاوية المحرك، بالإضافة إلى حيز كتف مناسب للمستخدمين. الشكل ج.

لا تضع مستشعر ماء الصنبور المواجه لأسفل فوق سطح عاكس، مثل فتحة التصريف. الشكل د.

الشكل و

الصابون وتحديد موضع موزع الصابون
لحصول المستخدم على أفضل تجربة، توصي Dyson باستخدام الصابون الهلامي.

تمتد منطقة الاستشعار بالأشعة تحت الحمراء لتنشيط الهواء بطول كل فرع للصنبور. لمنع حدوث التنشيط العرضي، تجنب مراعاة مسار يد المستخدم إلى موزع الصابون.

يجب أن يكون الموزع بعيداً عن نطاق عرض الصنبور بمقدار 60 مم على الأقل، بحيث يصل المستخدم إليه من جانب التفرع.

الشكل ب.

كما يجب أن يكون أعلى التفرعات بمسافة 60 مم على الأقل حتى لا يتم تنشيط المستشعرات.

يرجى ملاحظة أنه يمكن للمستخدم الوصول بشكل مائل إلى الصابون، لذا يجب ألا يمر هذا المسار عبر منطقة الاستشعار.

الشكل زاح

تصريف المياه

نظراً للسرعة العالية للهواء والماء المتقاربان، فهناك فرصة لتناثر بعض الماء والصابون خارج أبعاد الحوض. نوصي باتباع الإرشادات أدناه، لتخفيف هذا التأثير.

شكل القاعدة

ستؤدي القاعدة المسطحة إلى سوء التصريف مما ينتج عنه ارتفاع مستويات الماء المتناثر. لتحسين عملية التصريف، تجنّب الأحواض ذات القاعدة المسطحة مع التركيز بشكل خاص على المنطقة المحيطة بفتحة التصريف مباشرة. بنصف قطر 60 مم على الأقل. **الشكل هـ.**

سيؤدي وجود زاوية انحدار قياسها 6 درجات على الأقل من حافة فتحة تصريف الحوض إلى تصريف جيد مما يؤدي إلى تقليل مستويات الماء المتناثر (نصف قطر 60 مم على الأقل) **الشكل و.**

في العلبة

الأدوات المطلوبة:

مفك براغي فيليبس صغير

مفك ذو نصل 7 مم

مفك برغي برأس مسطحة مقاس 2.5mm

مفك برغي من نوع Torx T15

شريط قياس وقلم رصاص

مثقاب يدوي

لقمة حفر مناسبة

زرذدية / نازعة تغليف الأسلاك

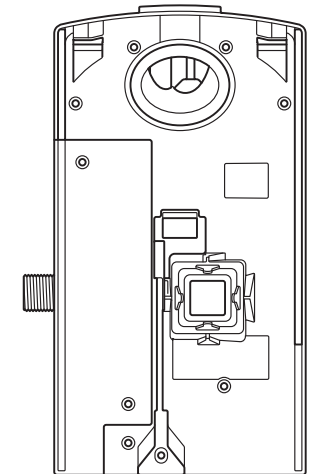
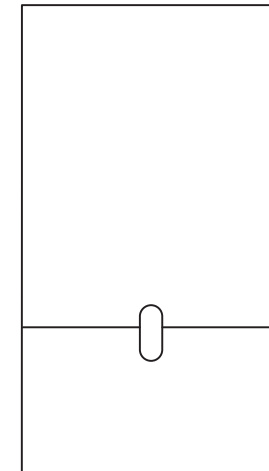
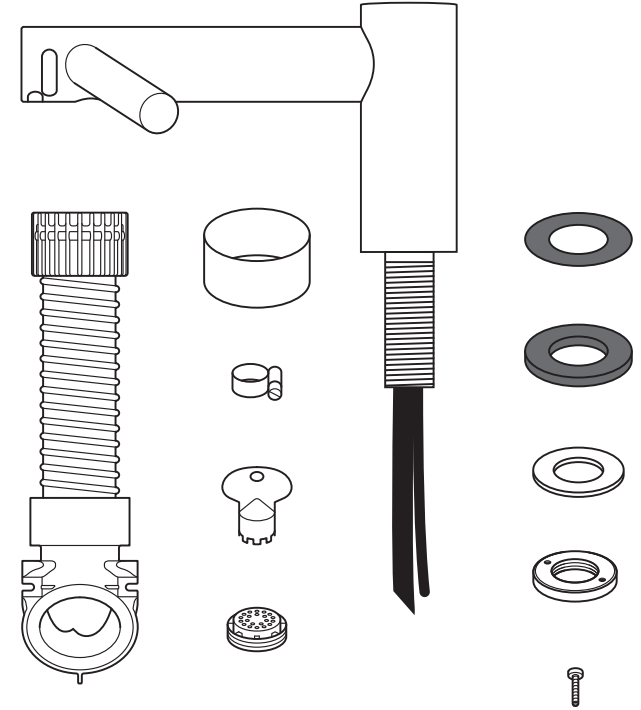
سكين

مفتاح ربط انضباطي

x2



x1



إرشادات مهمة للسلامة

يجب قراءة هذه الإرشادات والاحتفاظ بها

قبل تركيب هذه الوحدة أو استخدامها يرجى قراءة جميع الإرشادات والعلامات التحذيرية الواردة في دليل التركيب هذا وفي دليل المستخدم.

⚠ تحذير

يجب أن تتم جميع أعمال التركيب والإصلاح (الخاصة بالسبابة والكهرباء) بواسطة شخص مؤهل أو مهندس الصيانة التابع لشركة Dyson وفقاً للقوانين أو اللوائح المحلية الحالية.

⚠⚡ تحذير

خطر حدوث صدمة كهربائية!

في حالة إزالة الغطاء الخارجي أو التعامل معه بشكل غير سليم، قد تتسبب الأجزاء الداخلية للوحدة في حدوث ضرر أو قد تتعرض للتلف بشكل دائم.

ينبغي تأريض هذه الوحدة لتقليل مخاطر الاحتراق أو الصدمات الكهربائية أو إصابة الأشخاص.

قبل البدء في إجراء أي أعمال تركيب، يجب أن تتأكد مما يلي.
• تحقق من أن مصدر إمداد الكهرباء يتوافق مع ما هو مبين على لوحة البيانات الكهربائية.

- يجب تضمين وسيلة لفصل جميع الأقطاب في الأسلاك المحددة، وفقاً للوائح توصيل الأسلاك المحلية.
- قم بتوصيل مصدر إمداد الكهرباء باستخدام أنابيب وتجهيزات كهربائية مناسبة. تأكد من أن الأنابيب والأسلاك بالطول الكافي للتوصيل باللوحة الخلفية وبمجموعة أطراف التوصيل. الأنبوب المعدني الصلب غير مناسب للمدخل الجانبي.

⚠ تحذير

توخ الحذر عند إخراج المكونات من عبواتها. فقد توجد حواف/زوايا حادة قد تسبب قطعاً أو أذى.

لا تستخدم أي معدات غسيل نفاثة لتنظيف هذه الوحدة أو بالقرب منها

⚠ 244

إرشادات مهمة للسلامة

243

في العلبة

242

عمليات الفحص قبل التركيب

التركيب

240

خطوة بخطوة

238

اختبار التركيب

238

استكشاف الأخطاء وإصلاحها

SE

Innehåll

Viktiga säkerhetsinstruktioner 247 

I kartongen 248

SE

Kontroller före installation 249

Installation

Steg för steg 251

Testinstallation 253

Felsökning 253

VIKTIGA SÄKERHETSINSTRUKTIONER

LÄS OCH SPARA DESSA INSTRUKTIONER

LÄS ALLA INSTRUKTIONER OCH VARNINGAR I DEN HÄR
INSTALLATIONSHANDBOKEN OCH I BRUKSANVISNINGEN
INNAN DEN HÄR ENHETEN INSTALLERAS OCH ANVÄNDS.

VARNING

ALLA INSTALLATIONER OCH REPARATIONER (RÖR OCH EL)
SKA UTFÖRAS AV EN KVALIFICERAD PERSON ELLER DYSONS
SERVICETEKNIKER I ENLIGHET MED DE LOKALA REGLER OCH
BESTÄMMELSER SOM GÄLLER VID TILLFÄLLET.

VARNING

RISK FÖR ELEKTRISKA STÖTAR!

OM HÖLJET AVLÄGSNAS ELLER HANTERAS FELAKTIGT KAN
ENHETENS INVÄNDIGA KOMPONENTER SKADAS ELLER
FÖRSTÖRAS PERMANENT.

DEN HÄR ENHETEN MÅSTE VARA JORDAD FÖR ATT UNDVIKA RISK
FÖR BRAND, ELEKTRISK STÖT ELLER PERSONSKADOR.

Du måste bekräfta följande innan något installationsarbete påbörjas.

- Kontrollera att elmatningen motsvarar den som finns angiven på märkplåten.
- Den här enheten måste vara jordad för att undvika risk för brand, elektrisk stöt eller personskador.

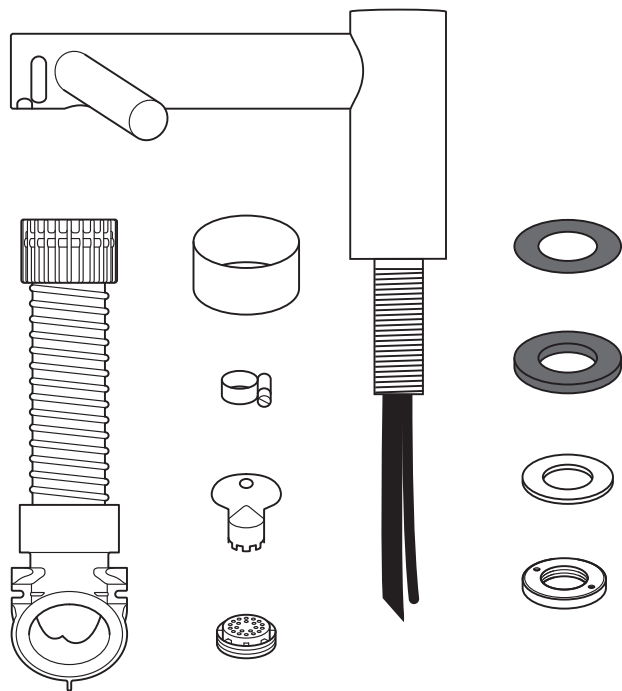
- Anslut elmatningen med hjälp av lämpliga kanaler och elkontakter. Se till att kanaler och kablar är långa nog för att anslutas till bakplattan och kopplingsplinten. Kanaler i massiv metall är inte lämpliga för sidoanslutning.

VARNING

Var försiktig när du packar upp komponenterna. Det kan finnas vassa kanter/hörn som kan skära eller orsaka skada.

ANVÄND INTE RENGÖRINGSUTRUSTNING MED
VATTENJETSTRÅLE FÖR RENGÖRING PÅ ELLER I NÄRHETEN AV
DEN HÄR ENHETEN

I kartongen



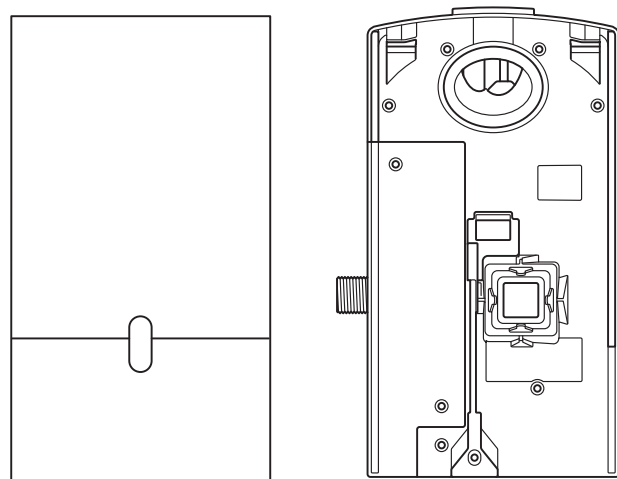
x2  

x1  

Verktyg som behövs:

- Liten stjärnskruvmejsel
- 7 mm spårskruvmejsel
- 2,5 mm spårskruvmejsel
- Torx T15-skrivmejsel
- Måttband och penna
- Handborr
- Lämplig borr
- Tänger/avisoleringstänger
- Kniv
- Skiftnyckel

SE



Kontroller före installation

Fig. A

Planering före installation

Handtorken Dyson Airblade Wash+Dry är utformad så att motorenheten är väggmonterad och placerad under handfatet Fig. A (i).

Montering av ett ledningsfilter rekommenderas för att förhindra eventuell skada som kan påverka din garanti.

- Se till att det finns tillräckligt utrymme för installation och underhåll. Se fig A(ii).
- Enheten är konstruerad endast för användning inomhus på en torr plats.
- Konsultera lokala och nationella tillgänglighetsregler och bestämmelser för aktuella riktlinjer avseende installation. Överensstämmelse och regelefterlevnad är installatörens ansvar. Se till att enheten installeras med hjälp av den medföljande kanalen, kanalinklädnaden och metallhöljet.
- En allpolig brytare måste införlivas i den fasta eldragningen och i enlighet med lokala bestämmelser för eldragning.
- Isolera strömmen och vattentillförseln innan installation eller service utförs.
- Verifiera att det inte finns några rörledning (gas, vatten, luft) eller elkablar eller ledningskanaler i monteringsområdet där du ska borra.
- Dyson rekommenderar användning av skyddskläder, skyddsglasögon och andra skyddsmaterial om det behövs vid installation/repairation.
- Den här apparaten är avsedd att permanent anslutas till huvudvattenledningar.

Användning i utrymmen där mat tillreds

En specialinstallation krävs i utrymmen där livsmedel tillreds. Där måste motortråget och slangen inneslutas i en tvättbar kåpa, eller så måste motortråget sitta på den andra sidan av en vägg med tillräckligt utrymme för rengöring undertill (om tillämpligt) och vara placerad så att enheten befinner sig minst 2,5 meter från oövertäckt mat eller oövertäckta ytor som kommer i kontakt med maten.

Se guiden med rekommenderade handfat på www.dyson.com före installation.

Fig. B

Specifikationsriktlinjer för handfat

Med hjälp av en specialutformad testmetod har Dysons ingenjörer testat en mängd olika handfat för att utvärdera deras kompatibilitet med Dyson Airblade Wash+Dry. Rekommenderade handfat finns i vår guide på www.dyson.com

Handfat i porslin och borstad metall är optimala. Handfat med mycket polerade ytor bör undvikas, t.ex. krom. För minsta möjliga handfatmått, se fig. B.

Fig. C/D/E

Kranmontering

Det ska vara minst 100 mm och max 155 mm mellan handfatets ovansida och mitten av kranen. Fig. C.

Ett avstånd på minst 290 mm ska finnas mellan kranens centrum och en sidovägg. När flera kranar monteras bredvid varandra ska det

finnas ett avstånd på minst 580 mm mellan kranarnas centrum. Detta ger tillräckligt med utrymme för att montera motortråget samt tillräckligt med utrymme för användaren. Fig. D.

Placera inte den nedåtriktade vattensensorn för kranen över en reflekterande yta, t.ex. avloppshålet. Fig. E.

Fig. F

Tvål och tvåldispenserns plats

För bäst användarupplevelser rekommenderar Dyson att man använder flytande tvål.

Den infraröda sensorzonen för luftaktivering sträcker sig längs med varje kranförgrening. För att förhindra oavsiktlig aktivering är det viktigt att tänka på hur användaren flyttar handen till tvåldispensern.

Dispensern ska sitta minst 60 mm utanför kranens bredd, så att användaren sträcker sig runt sidan av förgreningen.

Den ska också sitta minst 60 mm över förgreningarna, så att sensorerna inte aktiveras.

Observera att användaren kan sträcka sig diagonalt efter tvålen, så den här rörelsebanan får inte gå genom sensorzonen.

Fig. G/H

Vattenavlopp

Eftersom höghastighetsluften och vattnet sitter nära varandra finns det en risk att vatten och tvål stänker utanför handfatet. För att minimera detta rekommenderar vi att du följer riktlinjerna nedan.

Bottenprofil

En platt bottenprofil resulterar i dålig avrinning, vilket leder till mycket stänk. För att förbättra avrinningen ska du undvika handfat med en platt botten med särskilt fokus på området som direkt omgärdar avloppshålet, med en radie på minst 60 mm. Fig. G.

En stigningsvinkel på minst 6° från avloppshålets kant resulterar i god avrinning, vilket leder till mindre stänk (med en radie på minst 60 mm). Fig. H.

Fig. I/J/K

Övergång från botten till bakre och främre väggen

Övergången från botten till bakre och främre väggen ska tas i beaktande. Den bakre väggen ska vara så nära 90° som möjligt och har en så skarp radie som möjligt, se fig. I. Med en krökt geometri är risken större för stänk och en sluttande övergång till bakre och främre väggen bör undvikas, se fig. J/K.

Fig. L

Bottenventil

Bottenventiler med störst öppning rekommenderas, medan bottenventiler med galler eller bottenventiler av perforerad typ ska undvikas eftersom de begränsar avrinningen av tvålvatten (lödder). Använd inte pluggar i handfatets bottenventiler.

Fig. M

Kontroll av vattentemperatur

Om handfatet är anslutet till varmt och kallt vatten måste du installera en blandarventil. Om handfatet endast är anslutet till kallt vatten måste du installera en värmare.

Vattentillförseln till den här produkten måste monteras med en enhet för temperaturkontroll i enlighet med lokala förordningar

A= Blandarventil

B= Tillförsel med varmt och kallt vatten

C= Önskad uttemperatur

D= Isoleringsventil

E= Värmare

F= Kall vattentillförsel in

Ytterligare information

Installation

Använd inte tätningsmedel när enheten monteras på väggen.

Se till att el, blandat matarvatten och avlopp finns framdraget för anslutning. Lämplig isolering av ström och vattenmatning måste finnas för att dessa ska kunna stängas av före installation samt vid service.

Elektrisk information

Ingångsspänning/frekvens: se märkskylten. Isolerad med säkringslastbrytare eller RCD, beroende på vad som är lämpligt.

Ström 6,6 A.

Kabelspecifikation: PVC med dubbla kärnor + PVC med enkel kärna (jord).

Lokala elektriska förordningar måste följas vid installation eller reparation av produkten.

Märkeffekt: se märkskylten.

Intervall för drifttemperatur: 0–40 °C.

Strömförbrukning i överksamligt läge: mindre än 0,5 W.

Maximal höjd: 2 000 meter.

Vatten

Vattenflödes hastighet:

4 l/min med normal monterad strålsamlare.

1,9 l/min med lågflödesstrålsamlaren som medföljer produkten.

Vattentryck som krävs: 1–8 bar. 1/2-tums isolerad BSP-ventil krävs för underhåll. Placera sekundär varmvattenretur så nära blandarventilen som möjligt för att minska risken för tillväxt av legionellabakterier.

Automatisk vattensköljning

Produkten är försedd med automatisk vattensköljning som aktiveras under 60 sekunder, 24 timmar efter senaste användningen. Detta reducerar mängden stillastående vatten och bakteriespridning i produkten.

Se till att produkten alltid är installerad ovanför ett tvättställ med anslutet avlopp.

Vattenrenlighet och biologisk tillväxt

I vissa länder finns förordningar och riktlinjer som kräver att temperaturkontrollerade vattenförsörjningssystem (t.ex. det som medföljer Dyson Airblade Wash+Dry-handtorken) ska rengöras regelbundet för att minimera eventuell biologisk tillväxt. För att göra det möjligt för dig att följa dessa förordningar har Dyson Airblade Wash+Dry-handtorken utformats och testats för att klara inre rengöring med både varmt vatten i upp till 95 °C och med natriumhypoklorit i en koncentration på 0,45 %.

Se specifika marknadsförordningar och rekommendationer för vattenförsörjningssystem för information om rengöringsregimer för vattenrenlighet och biologisk tillväxt i ditt land.

När du utför inre rengöring av Dyson Airblade Wash+Dry-handtorken ska du tänka på alla säkerhetsöverväganden för användning av varmt vatten eller kemikalier. Dyson tar inget ansvar för skador som orsakas av den här processen.

Missbrukstester

Dyson Airblade Wash+Dry-handtorken har genomgått tuffa missbrukstester för att säkerställa att den tål avsevärda krafter och törnar som är vanligt förekommande i kommersiella och allmänna badrum.

Steg för steg

Fig. 1

Position

Placera kranen över handfatets mitt

Fig. 1.

Skär ett hål med diameter 35 mm i arbetsytan om det behövs.

Fig. 2

Kraninstallation

Trä upp den 1 mm tjocka gummitätningen på kranens skaft Fig. 2a.

För in kranens skaft, vattenslangen och kommunikationskabeln genom hålet i arbetsytan. Se till att den 1 mm tjocka gummitätningen sitter jämt och plant under kranen.

Kontrollera att kranen är i rätt position ovanför vasken.

Trä upp den 3,5 mm tjocka gummitätningen på kranens skaft.

Sätt in skruvarna i låsringen av mässing och dra åt försiktigt för att hålla dem på plats.

Trä upp metallbrickan på kranens skaft.

Skruva fast mässingslåsmuttern på kranens skaft och lämna ett mellanrum på mindre än eller lika med 5 mm mellan metallbrickan och mässingslåsmuttern.

Dra åt skruvarna med handkraft genom mässingslåsmuttern in i metallbrickan.

A= 1 mm gummitätning

B= Kranskaft

C= Vattenrör

D= Sensorkabel

E= 3,5 mm tätning

F= Metallbricka

G= Mässingslåsmutter

H= 2 x skruvar

Fig. 3

Slanginstallation

Skjut upp den grå slangen över vattenröret och sensorkabeln Fig. 3a.

Led vattenröret genom det vänstra utgångshålet i slangkanalen enligt fig. 3b.

Använd en tång för att försiktigt dra vattenröret så långt som till den heldragna vita linjen Fig. 3c.

Se till att genomföringen för vattenröret passar precis i slangkanalen så att det blir lufttätt Fig. 3b.

Led sensorkabeln genom det högra utgångshålet och dra försiktigt i den när du matar igenom den Fig. 3b. ANVÄND INTE en tång eftersom elanslutningarna då kan skadas Fig. 3c. Se till att skyddshylsan för kabeln passar precis i slangkanalen så att det blir lufttätt Fig. 3d. Silikonfett kan användas som hjälp vid monteringen.

Skruva fast den övre slangkragen på kranskaftet för hand Fig. 3e.

A= Grå slang

B= Vattenrör

C= Sensorkabel

Fig. 4

Förbereda montering av bakplatta

Ta bort motortråget från bakplattan genom att trycka på den röda frigöringsspärren på undersidan och lyfta uppåt enligt fig. 4a. Förvara motortråget på en säker plats tills det behövs igen.

Ta bort vattenrörets kåpa och de elektriska kåporna från bakplattan med hjälp av en Torx T15-skruvmejsel Fig. 4b och 4c. Förvara dem tillsammans med fästena tills de behövs igen.

Fig. 5

Montera bakplattan och slangen

Bakplattan kan placeras på ett av tre sätt: vertikalt eller 90° vinkel horisontellt åt vänster eller höger. Avståndet till golvet ska vara minst 100mm. Se fig. 5a.

Se till att bakplattan är placerad så att slangen enkelt kan anslutas.

Placera INTE motorn upp och ned med slangen riktad nedåt eller i en position ovanför kranen. Se fig. 5b.

Markera bakplattans position på väggen.

Kabelingång

Kabelingång kan göras antingen från basen eller från väggen direkt in på baksidan av enheten via den bakre kabelgenomföringen. Besluta dig för vilken ingång du ska använda innan du börjar.

Om du väljer alternativet att föra in kabeln genom basen ska du använda en tång för att försiktigt öppna den markerade införingsplatsen på bakplattan. Fila ned kanterna kring hålet så det inte finns några skarpa kanter. Fig. 5c.

Vattenmatning

Vattenanslutningen görs på bakplattans vänstra sida. Vattenanslutningen kan inte vridas i bakplattan Fig. 5d.

Fig. 6

Montering av bakplatta

Om kabelgenomföringen ska göras direkt i bakplattan från väggen ska elkabeln dras igenom innan du fäster bakplattan på väggen.

Fäst bakplattan i väggen med passande fästskruvar Fig. 6.

Använd inte försänkta skruvar.

Fig. 7

Ansluta sensorkabeln

Kläm fast den grå slangen på bakplattan.

Anslut sensorkabeln i slangen till kontakten på bakplattan enligt fig. 7. Kontrollera kontaktens riktning – de två flikarna måste ligga i linje med varandra. Se till att kabeln är dragen på rätt sätt i bakplattan.

Fig. 8

Ansluta vattenröret

Kapa vattenröret till den storlek som anges av den streckade vita linjen enligt fig. 8a.

För upp slangklämman (medföljer) på vattenröret Fig. 8b.

Ta bort de två stjärnskruvarna och koppla loss magnetspolen från bakplattan. Fig. 8b. Fäst vattenslangen i magnetspolen Fig. 8c.

Kläm tillbaka magnetspolen på bakplattan och dra fast de två skruvarna. [Fig. 8d](#).

Dra åt slangklämman och se till att magnetspolens kabel är korrekt placerad i kabelkanalen.

Fig. 9

Ansluta den elektriska matningen

Dra elledningarna till bakplattan med hjälp av flexibla eller fasta ledningar och fästen. Se till att strömkabeln är tillräckligt lång för att anslutas till kopplingsplinten på bakplattan.

Dra kabeln in i bakplattan och dra åt kabelförskruvningen.

Skala av kabeln till lämplig längd och fäst fast den spänningsförande och neutrala ledningen i motsvarande kopplingsplintar enligt [Fig. 9](#). Kontrollera att kablarna är korrekt placerade innan du fortsätter.

Fig. 10

Sätta tillbaka elkåpan

Montera elkåporna och sätt fast dem med de sex medföljande fästordningarna och se till att inga kablar hamnar i kläm.

Fig. 11

Ansluta den blandade vattentillförseln

Se till att vattenförsörjningen har spolats ren från skräp, koppar spån m.m. före anslutning till bakplattan. Annars kan magnetventilen skadas, vilket medför att den inte stänger ordentligt med en droppande kran som resultat.

Anslut den isolerade blandade vattentillförseln till bakplattan. Öppna vattentillförseln.

Kontrollera läckage vid vattentillförselns inlopp och vattenrörets anslutning till kranen.

Leta också efter läckor vid magnetspolens anslutning.

Fig. 12

Slå på strömmen

Slå på strömmen till maskinen.

KALIBRERINGSCYKEL: När kranen installerats genomgår den en 30 sekunder lång kalibreringscykel.

Sätt handen under kranens sensor för att aktivera vattenflödet. [Fig. 12a](#).

Kontrollera om det finns några läckor enligt [Fig. 11](#).

Sätt fast vattenrörets kåpa på bakplattan med hjälp av de två medföljande fästordningarna. [Fig. 12b](#).

Fig. 13

Montera motortråget

Kroka fast motorn ovanpå elkåpan. Skjut det nedåt så att det klickar på plats enligt vad som visas. Tryck in det ordentligt [Fig. 13a](#).

TILLVAL: En skruv medföljer för att låsa den röda frigöringsknappen så att ofrivillig lossning av motortråget kan undvikas.

Testa om enheten fungerar som den ska.

Fästa motortråget på bakplattan (tillval).

För att ta bort filtret ska du försiktigt använda en skruvmejsel för att frigöra fliken på filtret enligt [fig. 13b](#).

Fäst motortråget på bakplattan med hjälp av den medföljande säkerhetsskruven [Fig. 13c](#).

Sätt tillbaka filtret och se till att det klickar på plats [Fig. 13d](#).

Testinstallation Felsökning

Testa att handtorken fungerar som den ska:

- Placerar händerna under kranens centrum för att få vattnet att flöda automatiskt så länge du håller kvar händerna.
- Placera händerna på någon sida av kranen för att aktivera handtorken.
- Dra händerna sakta fram och tillbaka genom luften. Vänd på händerna så att båda handflatan och handryggen hamnar i luftflödet.

Handtorken startar inte:

- Kontrollera att säkringen/strömbrytaren fungerar och att strömtillförsel och vattentillförsel är anslutna.
- Kontrollera att rengöringslocket är borttaget och att sensorerna är rena och inte blockerade.
- Stäng av och slå på enheten igen.

Handtorken slås på och stängs av av sig själv:

- Stäng av och slå på enheten igen.
- Se till att det inte sitter någon plugg i handfatet. Om det sitter en plugg i handfatet ska den tas bort.
- Kontrollera att sensorerna är rena.
- Kontrollera att sensorkabeln från kranen är ordentligt ansluten.

Handtorken stängs ibland av under användning:

- Stäng av och slå på enheten igen.
- Kontrollera att sensorerna är rena.
- Kontrollera att luftinloppen är rena och fria från damm. Om luftinloppen är dammiga ska du torka bort dammet.
- Kontrollera att luftinloppen inte är blockerade och att de har tillräckligt med utrymme.

Torkningstiden har ökat:

- Kontrollera om luftinloppen är dammiga och ta bort eventuellt damm.
- Kontrollera filtret och byt ut det om det behövs.
- Kontrollera att slangen är ordentligt ansluten till kranens bas och att inget läckage förekommer

Luftflödet är varmare än vanligt:

- Kontrollera om luftinloppen är dammiga och ta bort eventuellt damm.
- Kontrollera filtret och byt ut det om det behövs.
- Kontrollera att slangen är ordentligt ansluten till kranens bas och att inget läckage förekommer

Luften flödar hela tiden:

- Kontrollera om det ligger något i handfatet och ta bort det om det behövs.
- Kontrollera att sensorerna är rena och inte blockeras.
- Kontrollera filtret och byt ut det om det behövs.
- Kontrollera att slangen är ordentligt ansluten till kranens bas och att inget läckage förekommer

Det kommer ingen luft:

- Stäng av och slå på enheten igen.
- Kontrollera att säkringen/strömbrytaren fungerar och att strömtillförseln är ansluten.
- Kontrollera att sensorerna är rena.
- Kontrollera att luftslangen är ordentligt ansluten till kranens bas och att inget läckage förekommer
- Kontrollera att sensorkabeln från kranen är ordentligt ansluten.

Vatten rinner hela tiden från kranen:

- Kontrollera att sensorerna är rena och inte blockeras.

Det kommer inget vatten från kranen:

- Kontrollera att strömtillförsel och vattentillförsel är påslagen och att isoleringsventilen är öppen.
- Kontrollera att strålsamlaren är fri från skräp och ta bort eventuellt skräp och rengör/byt ut den om det behövs.

Vattnet från kranen är för varmt eller för kallt:

- Kontrollera att blandarventilen är inställd på önskad temperatur.
- Kontakta Dysons kundtjänst för att få ytterligare hjälp och information. Du kan även besöka www.dyson.com

SK

Obsah

Dôležité bezpečnostné pokyny 255 ⚠

Obsah balenia 256

SK

Kontroly pred montážou 257

Montáž

Jednotlivé kroky 259

Kontrola montáže 261

Riešenie problémov 261

DÔLEŽITÉ BEZPEČNOSTNÉ POKYNY

TIETO POKYNY SI PREČÍTAJTE A USCHOVAJTE

PRED MONTÁŽOU ALEBO POUŽITÍM TOHTO ZARIADENIA SI PREČÍTAJTE VŠETKY POKYNY A VAROVNÉ OZNAČENIA V TEJTO INŠTALAČNEJ PRÍRUČKE A V NÁVODE NA OBSLUHU.

VAROVANIE

VŠETKY MONTÁŽNE PRÁCE A OPRAVY (INŠTALATÉRSKE A ELEKTRIKÁRSKE) MUSÍ VYKONAŤ KVALIFIKOVANÁ OSOBA ALEBO SERVISNÝ TECHNIK SPOLOČNOSTI DYSON V SÚLADE S PLATNÝMI PREDPISMI ALEBO NARIADENIAMI.

VAROVANIE

NEBEZPEČENSTVO ÚRAZU ELEKTRICKÝM PRÚDOM!

V PRÍPADE NESPRÁVNEJ DEMONTÁŽE KRYTU ALEBO MANIPULÁCIE MÔŽU VNÚTORNÉ ČASTI PRÍSTROJA SPÔSOBIŤ PORANENIE ALEBO SA MÔŽU TRVALO POŠKODIŤ.

NA ZNÍŽENIE RIZIKA VZNIKU POŽIARU, ÚRAZU ELEKTRICKÝM PRÚDOM ALEBO ZRANENIA OSÔB MUSÍ BYŤ ZARIADENIE UZEMNENÉ.

Pred začiatkom montáže musíte skontrolovať nižšie uvedené položky.

- Skontrolujte, či parametre napájania elektrickým prúdom zodpovedajú parametrom uvedeným na údajovom štítku.
- Na zníženie rizika vzniku požiaru, úrazu elektrickým prúdom alebo zranenia osôb musí byť zariadenie uzemnené.

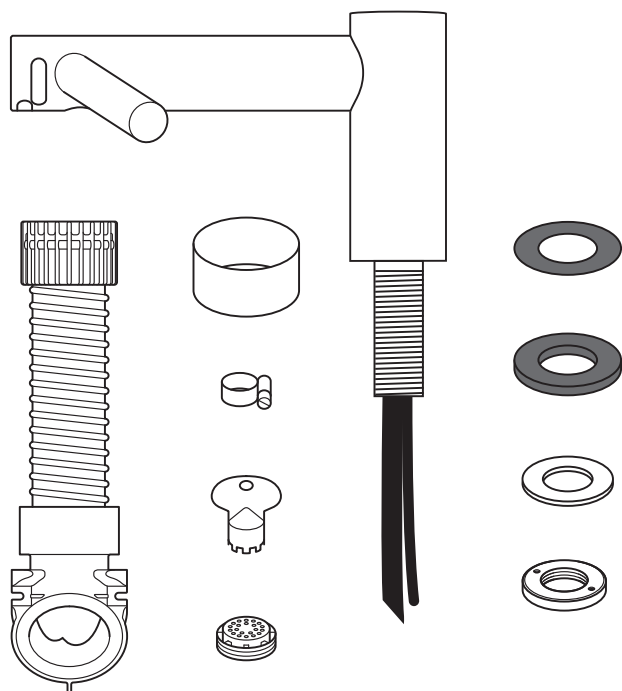
- Zdroj napájania elektrickým prúdom pripojte pomocou vhodného vodiča a elektrických príchytiek. Skontrolujte, či sú vodiče a drôty dostatočne dlhé na to, aby sa mohli pripojiť k zadnej platni a svorkovnici. Pevná kovová trubica nie je vhodná pre bočný vstup.

VAROVANIE

Pri vybalovaní súčastí postupujte opatrne. Môžu mať ostré hrany alebo rohy, ktoré by mohli spôsobiť porezanie alebo poškodenie.

NA ČISTENIE ZARIADENIA ANI JEHO OKOLIA NEPOUŽÍVAJTE ŽIADNE VYSOKOTLAKOVÉ UMÝVACIE ZARIADENIE

Obsah balenia



x2  

x1  

Potrebné náradie:

Malý krížový skrutkovač

Skrutkovač so 7 mm ostrím

2,5 mm plochý skrutkovač

Skrutkovač Torx T15

Zvinovací meter a ceruzka

Ručná vŕtačka

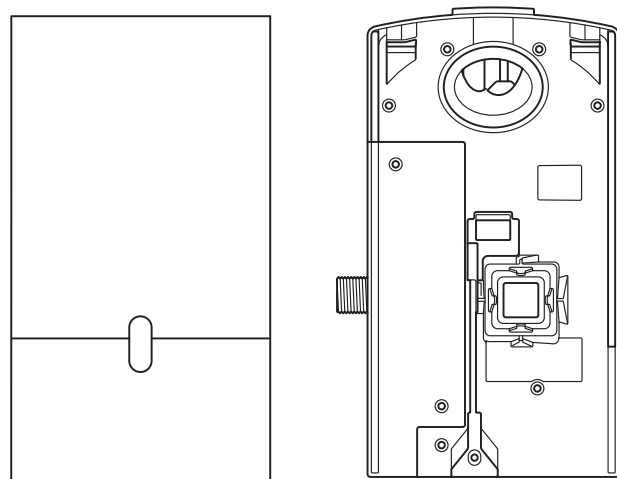
Vhodný vrták

Kliešte na sťahovanie izolácie z vodičov

Nôž

Nastaviteľný kľúč

SK



Kontroly pred montážou

Obr. A

Plánovanie prác pred montážou

Sušič rúk Dyson Airblade Wash+Dry je skonštruovaný tak, aby sa motorová jednotka namontovala na stenu a bola umiestnená pod umývadlom. Pozri **obr. A(i)**.

Aby sa zabránilo akémukoľvek poškodeniu, ktoré by mohlo mať vplyv na vašu záruku, odporúča sa nainštalovať priamy filter.

- Nechajte dostatočný prístupový priestor na montáž a údržbu. Pozri **obr. A(ii)**.
- Zariadenie je určené len na použitie v suchých vnútorných priestoroch.
- Príslušné pokyny na montáž nájdete v miestnych a celoštátnych predpisoch a nariadeniach o dostupnosti. Za zhodu a súlad zodpovedá osoba, ktorá vykonala montáž. Skontrolujte, či sa pri montáži zariadenia použilo dodané potrubie, kryt potrubia a kovový kryt.
- Súčasťou pevného vedenia musí byť prostriedok na odpojenie všetkých pólov v súlade s miestnymi predpismi.
- Pred montážou alebo vykonávaním servisu odpojte prívod elektriny a vody.
- Skontrolujte, či sa priamo za miestom vrtania/montáže nenachádza potrubie (plynové, vodovodné, vzduchové) alebo elektrické káble, drôty či vedenie.
- Spoločnosť Dyson odporúča použiť v prípade potreby pri montáži alebo oprave ochranný odev, okuliare a ďalšie pomôcky.
- Tento spotrebič je určený na trvalé pripojenie k vodovodnej sieti.

Použitie v priestoroch na prípravu jedla

V prostredí stravovacích zariadení sa vyžaduje špeciálna inštalácia, v rámci ktorej sa puzdro

motora a hadica úplne uzavrú v čistiteľnom kryte, resp. puzdro motora je potrebné namontovať na opačnú stranu steny a zachovať primeraný voľný priestor na čistenie pod ním (ak je to potrebné). Zariadenie sa v každom prípade musí nachádzať najmenej 2,5 metra od nezakrytých potravín alebo nezakrytých povrchov, ktoré sú v kontakte s potravinami.

Pred inštaláciou si pozrite návod s odporúčaniami pre umývadlá na stránke www.dyson.com.

Obr. B

Pokyny k špecifikáciám umývadla

Technickí pracovníci spoločnosti Dyson vykonali pomocou špeciálne určenej skúšobnej metódy skúšky širokej škály umývadiel s cieľom posúdiť ich kompatibilitu so sušičom rúk v kohútiku Dyson Airblade Wash+Dry. Sprievodcu odporúčanými umývadlami nájdete na lokalite www.dyson.sk.

Ideálnym riešením sú umývadlá z porcelánu alebo brúseného kovu. Je potrebné sa vyhnúť umývadlám s vysoko leštenými povrchmi, napr. z lesklého chrómu.

Minimálne rozmery umývadla sú uvedené na **obr. B**.

Obr. C/D/E

Montáž kohútika

Vzdialenosť od hornej časti umývadla po stred kohútika by mala byť minimálne 100 mm a maximálne 155 mm. **Obr. C**.

Vzdialenosť medzi stredom kohútika a bočnou stenou by mala byť minimálne 290 mm.

V prípade, že sa montuje viac kohútikov vedľa seba, stredy kohútikov by mali byť od seba vzdialené minimálne 580 mm. Tým sa zaistí dostatočný priestor na montáž motorovej časti a tiež dostatočný priestor na ramená používateľov. **Obr. D**.

Neumiestňujte vodný snímač kohútika orientovaný smerom nadol nad lesklý povrch, ako je napríklad odtokový otvor. **Obr. E**.

Obr. F

Mydlo a umiestnenie dávkovača mydla

Spoločnosť Dyson odporúča, aby sa z hľadiska čo najväčšieho komfortu používateľov používali gélové mydlá.

Pozdĺž každej vetvy kohútika sa tiahne infračervená snímacia zóna na aktiváciu vzduchu. Aby sa zabránilo náhodnej aktivácii, je dôležité, aby sa zväžila trasa, po ktorej sa ruky používateľa pohybujú k dávkovaču mydla.

Dávkovač musí byť umiestnený najmenej 60 mm mimo šírky kohútika, aby sa používateľ dostal okolo bočnej strany vetvy.

Rovnako musí byť umiestnený 60 mm nad vetvami, aby nedošlo k aktivácii snímačov.

Upozorňujeme, že používateľ môže dosiahnuť na mydlo priečne, takže táto dráha nesmie viesť cez snímaciu zónu.

Obr. G/H

Odtok vody

Vzhľadom na to, že sa vzduch prúdaci vysokou rýchlosťou a voda nachádzajú v tesnej blízkosti, môže dôjsť k rozptylu určitého množstva vody a mydla mimo priestoru v rámci rozmerov umývadla. Na zmiernenie tohto účinku sa odporúča, aby ste sa riadili nižšie uvedenými pokynmi.

Profil dna

Plochý profil dna umývadla bude mať za následok nedostatočné odtekanie s následným rozsiahlym postriekaním okolia. Na zlepšenie odtekania je potrebné, aby sa nepoužívali umývadlá s plochým dnom, pričom sa treba osobitne zamerať na bezprostredné okolie odtokového otvoru s minimálnym polomerom 60 mm. **Obr. G**.

Vďaka minimálnemu 6° uhlu náklonu od okraja odtokového otvoru umývadla sa dosiahne dobré odtekanie, čím sa zníži miera postriekania okolia (minimálny polomer 60 mm). **Obr. H**.

Obr. I/J/K

Dno vzhľadom na prechod cez zadnú a prednú stenu

Je potrebné zväziť aj dno vzhľadom na prechod zadnou a prednou stenou. Uhol zadnej steny by sa mal čo najviac približovať k 90° a polomer by mal byť v čo najostrejšom uhle **Obr. I**. Pri zakrivenom usporiadaní je pravdepodobnejšia zvýšená miera postriekania okolia **Obr. J**. Vzhľadom na to je potrebné sa vyhnúť šikmým prechodom cez zadnú a prednú stenu **Obr. K**.

Obr. L

Odtok

Odporúčajú sa odtoky s čo najvoľnejším otvorom. Je potrebné sa vyhnúť mriežkovým alebo dierkovaným odtokom, pretože obmedzujú odtok mydlovej vody (mydlová pena). Nepoužívajte umývadlá so zátkou v odtoku.

Obr. M

Regulácia teploty vody

Pokiaľ pripájate prívod teplej a studenej vody, bude potrebné, aby ste nainštalovali zmiešavací ventil.

V prípade pripojenia iba k prívodu studenej vody bude nutné nainštalovať ohrievač. V súlade s miestnymi predpismi je nutné, aby na zariadenie na prívod vody do tohto výrobku bol nainštalovaný prístroj na reguláciu teploty.

A= Zmiešavací ventil

B= Prívod teplej a studenej vody

C= Výstup požadovanej teploty

D= Izolačný ventil

E= Ohrievač

F= Vstup prívodu studenej vody

Ďalšie informácie

Inštalácia

Pri upevňovaní jednotky na stenu nepoužívajte tmel.

Zabezpečte, aby boli na pripojenie k dispozícii prívody elektriny a teplej a studenej vody.

K dispozícii musí byť vhodné oddelenie prívodov elektriny a vody na vypnutie prívodu pred vykonaním inštalčných a servisných prác.

Elektrická inštalácia

Vstupné napätie/frekvencia: pozri údajový štítok.

Podľa potreby sa izoluje vypínacou poistkou alebo RCD.

Prúd 6,6 A.

Špecifikácia kábla: Dvojjadrové PVC + jednojadrové PVC (zem)

Pri vykonávaní montáže alebo opravy výrobku sa musia dodržiavať miestne predpisy o elektroinštaláciách.

Menovitý výkon: pozri údajový štítok.

Rozsah prevádzkových teplôt: 0° – 40 °C.

Spotreba energie v pohotovostnom režime: menej ako 0,5 W.

Maximálna výška: 2 000 metrov.

Prevádzka vody

Prietok vody: 4 l/min normálne namontovaný prevzdušňovač. 1,9 l/m s nízkoprietokovým prevzdušňovačom dodávaným s výrobkom.

Požadovaný tlak vody: 1 – 8 barov. Na účely servisu je potrebný samostatný ventil 1/2" BSP. Uchovajte sekundárne vratné vedenie horúcej vody čo najbližšie ku zmiešavaciemu ventilu na zníženie rizika rastu baktérií Legionella.

Automatické preplachovanie

Výrobok je vybavený funkciou automatického preplachovania, ktoré sa aktivuje 24 hodín po poslednom použití. Doba preplachovania je 60 sekúnd. To umožňuje znížiť stagnáciu vody a množenie baktérií v produkte.

Zabezpečte, aby zariadenie bolo vždy nainštalované nad funkčným umývadlom s voľným a pripojeným odtokom.

Čistota systémov zásobovania vodou a biologické rozmnožovanie

V niektorých krajinách existujú predpisy a usmernenia, na základe ktorých sa vyžaduje, aby systémy zásobovania vodou s reguláciou teploty (ako v prípade vody privádzanej do sušiča rúk Dyson Airblade Wash+Dry) podliehali pravidelnému čisteniu s cieľom minimalizovať biologické rozmnožovanie.

Aby bolo možné vyhovieť týmto predpisom, sušič rúk Dyson Airblade Wash+Dry bol navrhnutý a testovaný tak, aby vydržal vnútorné čistenie horúcou vodou s teplotou až do 95 °C, rovnako ako chlórnanom sodným pri koncentrácii 0,45 %.

Pozrite si konkrétne (trhové) predpisy a odporúčania týkajúce sa vodovodných systémov, v ktorých nájdete informácie o čistiacich režimoch, pokiaľ ide o čistotu systémov zásobovania vodou a biologické rozmnožovanie pre vašu krajinu.

Pri vykonávaní vnútorného čistenia sušiča rúk Dyson Airblade Wash+Dry dbajte pri používaní horúcej vody alebo chemikálií na všetky bezpečnostné aspekty. Spoločnosť Dyson nebude niesť zodpovednosť za ujmu spôsobenú týmto procesom.

Testovanie v prípade nevhodného používania

Sušič rúk Dyson Airblade Wash+Dry prešiel prísny testovaním zameraným na nevhodné používanie s cieľom zabezpečiť, že dokáže odolať značnej sile a nárazom, ktoré sú pre prostredie komerčných a verejných kúpeľní typické.

Jednotlivé kroky

Obr. 1

Umiestnenie

Umiestnite kohútik nad stred umývadla. Pozri obr. 1.

V prípade potreby vyrežte do pracovnej plochy otvor s priemerom 35 mm.

Obr. 2

Montáž kohútika

Nasuňte 1 mm gumové tesnenie na driek kohútika. Pozri obr. 2a.

Vložte driek kohútika a pripojenú vodovodnú rúrku a komunikačný kábel cez otvor v pracovnej ploche. Skontrolujte, či je 1 mm gumové tesnenie založené pod kohútikom rovnomerne a naplocho.

Skontrolujte, či je kohútik v správnej polohe nad umývadlom.

Nasuňte 3,5 mm gumové tesnenie na driek kohútika.

Vložte skrutky do mosadzného zaistovacieho krúžka a jemne utiahnite, aby držali na svojom mieste.

Nasuňte kovovú podložku na driek kohútika.

Naskrutkujte mosadznú zaistovaciu maticu na driek kohútika, pričom medzi mosadznou zaistovacou maticou a kovovou podložkou nechajte medzeru so šírkou 5 mm alebo menej.

Rukou pevne utiahnite skrutky pomocou mosadznej zaistovacej matice do kovovej podložky.

A= 1 mm gumové tesnenie
B= driek kohútika
C= vodovodná rúrka
D= kábel snímača
E= 3,5 mm tesnenie
F= kovová podložka
G= mosadzná zaistovacia matica
H= 2 skrutky

Obr. 3

Inštalácia hadice

Nasuňte sivú hadicu nahor cez vodovodnú rúrku a kábel snímača. Pozri obr. 3a.

Zasuňte vodovodnú rúrku cez ľavý výstupný otvor v žliabku hadice podľa znázornenia na obr. 3b.

Pomocou klieští opatrne ťahajte vodovodnú rúrku až k plnej bielej čiare. Pozri obr. 3c.

Skontrolujte, či priechodka na vodovodnej rúrke pevne sedí v žliabku hadice, aby bola vzduchotesná. Pozri obr. 3b.

Opatrným ťahaním pretiahnite kábel snímača cez pravý výstupný otvor. Pozri obr. 3b. **NEPOUŽÍVAJTE** kliešte, mohli by poškodiť elektrické pripojenia. Pozri obr. 3c. Skontrolujte, či priechodka na kábli pevne sedí v žliabku hadice, aby bola vzduchotesná. Pozri obr. 3d. Na uľahčenie inštalácie sa môže použiť silikónové mazivo.

Pevne priskrutkujte objímku hornej hadice na driek kohútika. Pozri obr. 3e.

A= sivá hadica
B= vodovodná rúrka
C= kábel snímača

Obr. 4

Príprava na montáž platne

Motorovú časť zo zadnej platne odstránite tak, že stlačíte červenú uvoľňovaciu západku na dne a motorovú časť zdvihnete podľa zobrazenia na obr. 4a. Motorovú časť bezpečne uložte až do ďalšieho použitia.

Pomocou skrutkovača Torx T15 odstráňte zo zadnej platne kryt vodovodného potrubia a kryt elektrickej časti zo zadnej platne. Pozri obr. 4b a 4c. Bezpečne ich uložte spolu s upevňovacími prvkami až do ďalšieho použitia.

Obr. 5

Montáž zadnej platne a hadice

Zadnú platňu môžete umiestniť jedným z troch spôsobov: vertikálne alebo 90° horizontálne vľavo alebo vpravo. Vzdialenosť od podlahy musí byť minimálne 100 mm. Pozri obr. 5a.

Skontrolujte, či je zadná platňa umiestnená tak, aby sa hadica dala bez problémov pripojiť.

NEUMIESTŇUJTE motor obrátene s hadicou smerujúcou nadol ani nad kohútik. Pozri obr. 5b.

Označte polohu zadnej platne na stene.

Vstup kábla

Vstup kábla môže viesť z podstavca alebo zo steny priamo do zadnej časti jednotky cez zadné miesto vstupu kábla. Vyberte si príslušnú stranu skôr, ako začnete.

Ak si vyberiete voľbu káblového vstupu cez základňu, pomocou klieští opatrne odstrihnite vopred označený vylamovací panel na základni zadnej platne. Vyhľadajte hrany odlomenej časti. Pozri obr. 5c.

Vstup vody

Pripojenie vody sa vykonáva na ľavej strane zadnej platne. Pripojka vody sa nemôže v zadnej platni otáčať. Pozri obr. 5d.

Obr. 6

Montáž zadnej platne

Ak bude vstup kábla vedený priamo do zadnej platne zo steny, pred pripavením zadnej platne na stenu prevlečte elektrický kábel.

Namontujte zadnú platňu na stenu pomocou vhodného upevňovacieho materiálu. Pozri obr. 6.

Nepoužívajte zápustné skrutky.

Obr. 7

Pripojenie kábla snímača

Prisvorkujte sivú hadicu k zadnej platni.

Pripojte kábel snímača v hadici do konektora v zadnej platni podľa znázornenia na obr. 7. Skontrolujte orientáciu konektora; dva držiaky musia byť zarovnané. Skontrolujte, či je kábel správne uložený v zadnej platni.

Obr. 8

Pripojenie prívodu vody

Upravte veľkosť vodovodnej rúrky na bodkovanej bielej čiare podľa znázornenia na obr. 8a.

Na vodovodnú rúrku nasuňte hadicovú svorku (je súčasťou dodávky). Pozri obr. 8b.

Odstráňte 2 skrutky s krížovou hlavou a odpojte solenoid zo zadnej platne. Pozri obr. 8b.

Pripojte vodnú hadicu k solenoidu. Pozri obr. 8c.

Pripevnite zadnú časť solenoidu k zadnej platni a pripevnite ju 2 skrutkami. Pozri obr. 8d.

Dotiahnite svorku hadice a zabezpečte, aby bol kábel solenoidu správne umiestnený v pridržiavacom kanáli.

Obr. 9

Pripojenie prívodu elektriny

Vedzte prívod elektrickej energie k zadnej platni pomocou schváleného pružného alebo pevného vodiča a elektrických príchytiek. Skontrolujte, či je napájací kábel dostatočne dlhý na to, aby sa pripojil k svorkovnici namontovanej na zadnej platni.

Vedzte kábel do zadnej platne a utiahnite káblovú vývodku.

Odizolujte kábel na vhodnú dĺžku a pripojte živé a nulové vodiče k príslušným svorkám, ako je znázornené na obr. 9. Pred pokračovaním skontrolujte správne umiestnenie káblov.

Obr. 10

Opätovná montáž elektrického krytu

Pripevnite elektrický kryt a zaistíte ho 6 dodanými upevňovacími prvkami. Dbajte na to, aby nedošlo k zachyteniu drôtov.

Obr. 11

Pripojenie prívodu teplej a studenej vody

Pred pripojením zadného panelu zabezpečte úplné prepláchnutie prívodu vody od odpadu, medených hoblín atď. Nedodržanie tohto pokynu môže spôsobiť poškodenie solenoidového ventilu, v dôsledku čoho sa nebude správne zatvárať a z kohútika bude kvapkať voda.

Pripojte izolovaný prívod teplej a studenej vody k zadnej platni.

Otvorte prívod vody.

Skontrolujte, či na hlavnom vstupe vody a pripojení prívodu vody ku kohútiku nedochádza k únikom.

Takisto skontrolujte únik na prípojke solenoidu.

Obr. 12

Zapnutie napájania

Zapnite napájanie prístroja.

CYKLUS KALIBRÁCIE: Po dokončení montáže sa vykoná 30-sekundový kalibračný cyklus kohútika.

Vložte ruku pod snímač na kohútiku, aby sa spustil prúd vody. Obr. 12a.

Skontrolujte, či nedochádza k únikom podľa obr. 11.

Kryt vodovodného potrubia upevnite na zadnú platňu pomocou dvoch dodaných skrutiek. Obr. 12b.

Obr. 13

Zostavenie motorovej časti

Zaveste motor na hornú stranu elektrického krytu. Otočte ju nadol, aby zapadla na miesto podľa znázornenia na obrázku. Pevne ju zasuňte obr. 13a.

VOLITEĽNÉ: Súčasťou dodávky je skrutka na zaistenie červeného uvoľňovacieho tlačidla, ktoré bráni neželanej demontáži puzdra motora.

Skontrolujte správnosť prevádzky prístroja.

Upevnenie motorovej časti k zadnej platni (voliteľné).

Ak chcete odmontovať filter, opatrne skrutkovačom uvoľnite jazýček na filtri podľa obrázka obr. 13b.

Pripevnite motorovú časť k zadnej platni pomocou dodaných bezpečnostných skrutiek, obr. 13c.

Znova pripojte filter tak, aby zapadol na svoje miesto, obr. 13d.

Kontrola montáže

Vyskúšajte normálnu prevádzku sušiča rúk:

- Ruky umiestnite pod stred kohútika. Automaticky sa spustí voda, ktorá potečie dovedy, kým budete mať ruky pod zariadením.
- Umiestnite ruky na obe strany od stredu kohútika. Spustí sa sušič rúk.
- Pomaly pohybujte rukami vpred a vzad cez prúd vzduchu. Otáčajte ruky tak, aby boli účinku prúdu vzduchu vystavené dlane aj chrbát rúk.

Riešenie problémov

Sušič rúk sa nespustí:

- Skontrolujte funkčnosť poistiek/ističa a pripojenie napájania a vody.
- Skontrolujte, či ste odstránili krytku pri čistení a či sú snímače čisté a nič im neprekáža.
- Zariadenie vypnite a znova zapnite.

Sušič rúk sa nepravidelne zapína a vypína:

- Zariadenie vypnite a znova zapnite.
- Skontrolujte, či sa v umývadle nenachádzajú nejaké prípojky a v prípade potreby ich odstráňte.
- Skontrolujte, či sú čisté snímače.
- Skontrolujte pevnosť pripojenia kábla snímača z kohútika.

Prevádzka sušiča sa niekedy preruší:

- Zariadenie vypnite a znova zapnite.
- Skontrolujte, či sú čisté snímače.
- Skontrolujte, či sú prívody vzduchu čisté a či nie sú zaprášené. Ak sú vzduchové prívody zaprášené, odstráňte z nich prach.
- Skontrolujte, či na prívodoch vzduchu nie sú nejaké prekážky a či majú dostatok voľného priestoru.

Čas sušenia sa predĺžil:

- Skontrolujte, či nie sú prívody vzduchu zaprášené a oprášte ich.
- Skontrolujte filter a podľa potreby ho vymeňte.
- Skontrolujte, či je hadica pevne pripojená k podstavcu kohútika a nedochádza k úniku.

Spúšťaný prúd vzduchu je teplejší ako zvyčajne:

- Skontrolujte, či nie sú prívody vzduchu zaprášené a oprášte ich.
- Skontrolujte filter a podľa potreby ho vymeňte.
- Skontrolujte, či je hadica pevne pripojená k podstavcu kohútika a nedochádza k úniku.

Vzduch je neustále spustený:

- Skontrolujte, či sa v umývadle nenachádzajú nejaké predmety a v prípade potreby ich odstráňte.
- Skontrolujte, či sú snímače čisté a bez akýchkoľvek prekážok.
- Skontrolujte filter a podľa potreby ho vymeňte.
- Skontrolujte, či je hadica pevne pripojená k podstavcu kohútika a nedochádza k úniku.

Nie je spustený žiadny vzduch:

- Zariadenie vypnite a znova zapnite.
- Skontrolujte funkčnosť poistiek/ističa a pripojenie napájania.
- Skontrolujte, či sú čisté snímače.
- Skontrolujte, či je vzduchová hadica pevne pripojená k podstavcu kohútika a nedochádza k úniku.
- Skontrolujte pevnosť pripojenia kábla snímača z kohútika.

Z kohútika neustále tečie voda:

- Skontrolujte, či sú snímače čisté a bez akýchkoľvek prekážok.

Z kohútika vôbec netečie voda:

- Skontrolujte, či je zapnutý prívod elektriny a vody a či je otvorený izolačný ventil.
- Skontrolujte, či nie je znečistený prevzdušňovač, podľa potreby ho vyčistite alebo vymeňte.

Voda tečúca z kohútika je príliš horúca alebo studená:

- Skontrolujte, či je zmiešavací ventil nastavený na požadovanú teplotu. Ak chcete získať ďalšiu podporu a informácie, kontaktujte oddelenie služieb zákazníkom Dyson alebo navštívte stránku www.dyson.sk

SL

Vsebina

Pomembna varnostna navodila 263 ⚠

Vsebina paketa 264

Preverite pred montažo 265

Montaža

Po korakih 267

Poskusna montaža 269

Odpravljanje napak 269

POMEMBNA VARNOSTNA NAVODILA

PREBERITE IN SHRANITE TA NAVODILA

PRED NAMESTITVIJO ALI UPORABO TE NAPRAVE PREBERITE NAVODILA IN OPOZORILA V VODNIKU ZA NAMESTITEV IN PRIROČNIKU ZA UPORABNIKA.

OPOZORILO

MONTAŽO IN POPRAVILA (VODOVODARSKA IN ELEKTRIČNA DELA) MORA OPRAVITI USPOSOBLJENA OSEBA ALI SERVISNI INŽENIR PODJETJA DYSON SKLADNO Z VELJAVNIMI DRŽAVNIMI PREDPISI IN UREDBAMI.

OPOZORILO

NEVARNOST ELEKTRIČNEGA UDARA!

ČE OHIŠJE NEPRAVILNO ODSTRANITE ALI Z NJIM NEUSTREZNO RAVNATE, VAS LAHKO NOTRANJI DELI NAPRAVE POŠKODUJEJO ALI SE LAHKO TRAJNO OKVARIJO.

DA ZMANJŠATE NEVARNOST POŽARA, ELEKTRIČNEGA UDARA ALI TELESNIH POŠKODB, MORA BITI TA ENOTA USTREZNO OZEMLJENA. UPOŠTEVAJTE SPODNJA NAVODILA:

Pred montažnimi deli preverite naslednje:

- Prepričajte se, da omrežna napetost ustreza napetosti, ki je prikazana na napisni ploščici.
- Sredstvo za hkratno prekinitev vseh polov mora biti vgrajeno v fiksno ožičenje v skladu z lokalnimi predpisi o ožičenju.

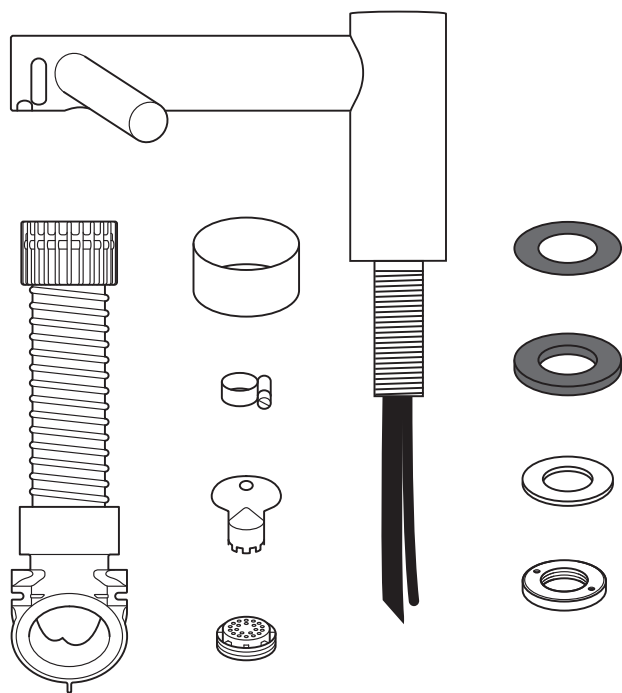
- Priklop na omrežno napetost izvedite z ustreznimi vodi in električnimi sponkami. Prepričajte se, da so vodi in žice dovolj dolgi, da dosežejo hrbtno ploščo in priključni blok. Kovinski vodi niso primerni za stransko priključitev.

OPOZORILO

Pri odstranjevanju sestavnih delov iz embalaže bodite previdni. Ostri robovi/vogali vas lahko porežejo ali poškodujejo.

ZA ČIŠČENJE NAPRAVE ALI POVRŠIN OKOLI NJE NE UPORABLJAJTE ČISTILNIKOV Z VODNIM CURKOM.

Vsebina paketa



x2  

x1  

Zahtevana orodja:

Manjši križni izvijač

7-mm ploščati izvijač

Ploščati izvijač (2,5 mm)

Izvijač z zvezdico T15

Merilni trak in svinčnik

Ročni vrtalnik

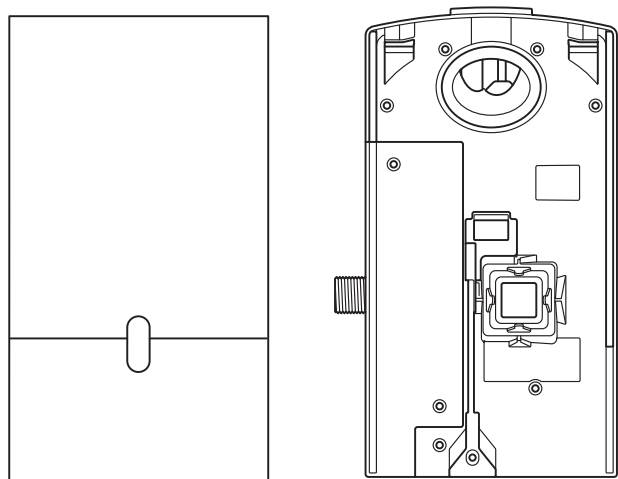
Ustrezen sveder

Običajne klešče/klešče za lupljenje kablov

Nož

Prilagodljiv ključ za vijake

SI



Preverite pred montažo

Slika A

Načrtovanje pred montažo

Sušilnik za roke v pipi Dyson Airblade Wash+Dry je oblikovan tako, da je motorna enota pritrjena na steno in se nahaja pod umivalnikom, glejte [sliko A\(i\)](#).

Priporočamo montažo linijskega filtra, ki preprečuje morebitne poškodbe, ki bi vplivale na garancijo.

- Zagotovite dovolj prostora za namestitev in servisiranje, glejte [sliko A\(ii\)](#).
- Naprava je zasnovana samo za uporabo v suhih in zaprtih prostorih.
- Pri montaži upoštevajte določbe in smernice ustreznih kodeksov ter predpisov glede dostopnosti. Za montažo po predpisih je odgovoren inštalater. Zagotovite, da je enota nameščena v skladu z vsemi gradbenimi predpisi in/ali določili.
- V fiksnem tokokrogu mora biti vgrajeno glavno stikalo, ki prekine vse faze, skladno z lokalnimi električnimi predpisi.
- Pred montažo ali servisiranjem odklopite omrežno napetost in dovod vode.
- Prepričajte se, da na območju, kjer boste vrtali in pritrjevali napravo, ni cevni napeljav (plin, voda, zrak) ali električnih kablov, žic ali kanalov.
- Dyson priporoča, da med montažnimi deli ali servisiranjem nosite zaščitna oblačila, očala in druga zaščitna sredstva.
- Ta naprava je namenjena za stalno priključitev na vodovod.

Uporaba v prostorih za pripravo hrane

V okoljih za pripravo hrane je potrebna posebna namestitev, ki mora v celoti ograditi ohišje motorja in cev z ogrođjem, ki ga je mogoče očistiti, oziroma mora biti ohišje motorja na nasprotni strani stene, da zagotavlja dovolj prostora za čiščenje spodaj (če je na voljo), enota pa mora biti vsaj 2,5 metra od nepokrite hrane ali nepokritih površin, ki so v stiku s hrano.

Pred montažo si oglejte vodič po ustreznih umivalnikih na www.dyson.com.

Slika B

Smernice za specifikacijo umivalnika

S posebno zasnovanim načinom preskušanja Dysonovi inženirji preskušajo številne umivalnike, da ocenijo njihovo združljivost s sušilnikom za roke v pipi Dyson Airblade Wash+Dry. Umivalniki, ki jih priporočamo, so navedeni v našem v našem vodniku na www.dyson.com.

Najboljši so porcelanasti ali iz brušene kovine. Izogibajte se umivalnikom z močno poliranimi površinami, denimo iz odsevnega kroma. Za najmanjše dimenzije umivalnika glejte [sliko B](#).

Slike C/D/E

Montaža pipe

Razdalja od vrha umivalnika do sredine pipe mora biti najmanj 100 mm in največ 155 mm. [Slika C](#).

Med sredino pipe in stransko steno mora biti najmanj 290 mm. Če je več pip nameščenih druga ob drugi, morajo biti sredine pip najmanj 580 mm narazen. To zagotavlja dovolj prostora za namestitev ohišja motorja in udobno uporabo. [Slika D](#).

Navzdol obrnjenega tipala za vodo na pipi ne nameščajte nad odsevno površino, kot je denimo odprtina odtoka. [Slika E](#).

Slika F

Milo in položaj milnika

Za najboljšo uporabniško izkušnjo Dyson priporoča uporabo tekočih mil.

Infrardeče območje zaznavanja za aktiviranje zraka poteka vzdolž vsake strani pipe. Za preprečitev nenamerne aktiviranja je treba upoštevati pot uporabnikove dlani do milnika.

Milnik mora biti nameščen vsaj 60 mm zunaj obsega pipe, da lahko uporabnik seže okoli stranskega dela pipe.

Nameščen mora biti tudi vsaj 60 mm nad stranskima deloma pipe, da se tipala ne aktivirajo.

Upoštevajte, da lahko uporabnik po milo seže diagonalno, zato ta pot ne sme prečkati območja zaznavanja.

Slike G/H

Odvajanje vode

Zaradi visoke hitrosti zraka in neposredne bližine vode se lahko manjše količine vode in mila razpršijo zunaj območja umivalnika. Za zmanjšanje tega učinka priporočamo upoštevanje v nadaljevanju navedenih smernic.

Profil dna

Pri ravnem profilu dna je odvajanje vode slabo, kar povzroča visoko pljuskanje vode. Za boljše odvajanje se izogibajte umivalnikom z ravnim dnom. Zlasti se osredotočite na neposredno okolico odvodnega kanala, ki naj ima najmanj 60 mm polmera. [Slika G](#).

Najmanj 6-stopinjski nagib od roba odvodnega kanala zagotavlja dobro odtekanje vode in posledično manjše pljuskanje (najmanj 60 mm polmera). [Slika H](#).

Slike I/J/K

Prehod od dna do hrbtne in sprednje stene

Upoštevati je treba tudi prehod od dna do hrbtne in sprednje stene. Hrbtne stene mora biti kar najbližje kotu 90°, polmer pa kar najbolj oster. [Slika I](#). Ukrivljeni deli pogosteje povzročajo pljuskanje, [slika J](#), izogibajte pa se tudi nagnjenim prehodom med hrbtno in sprednjo steno. [Slika K](#).

Slika L

Odprtina za zamašitev odtoka

Priporočamo odprtine s kar največjo režo, odsvetujemo pa odprtine z rešetkami ali luknjicami, saj ovirajo odtekanje milnice (milne pene). V odprtinah odtoka ne uporabljajte čepov.

Slika M

Upravljanje temperature vode

Če priključite vir hladne in vroče vode, boste morali namestiti mešalni ventil. Če pipo priključite na vir samo hladne vode, boste morali namestiti grelnik.

Dovod vode za to napravo mora biti opremljen z napravo za reguliranje temperature skladno z lokalnimi predpisi.

A= mešalni ventil

B= vir vroče in hladne vode

C= zelena izhodna temperatura

D= izolacijski ventil

E= grelnik

F= vir pritoka hladne vode

Dodatne informacije

Montaža

Pri pritrdjevanju naprave na steno ne uporabljajte tesnilne mase.

Prepričajte se, da so električna napeljava, vodovodna napeljava in odtoki na voljo za priključitev. Na voljo mora biti tudi ustrezna izolacija dovoda elektrike in vode, da lahko te dovode izklopate pred namestitvijo in za servisiranje.

Električna inštalacija

Vhodna napetost/frekvenca: glejte napisno ploščico.

Ustrezno izolirano z varovalko na stikalo ali odklopno napravo.

Tok 6,6 A.

Specifikacije kabla: PVC z dvojno sredico + PVC z enojno sredico (ozemljitev).

Pri montaži ali popravilu izdelka je treba upoštevati lokalne predpise glede elektrike.

Nazivna moč: glejte napisno ploščico.

Temperaturni razpon med delovanjem: 0–40 °C.

Poraba energije v stanju pripravljenosti:

Manj kot 0,5 W.

Največja dovoljena višina: 2000 metrov.

Delovanje vode

Hitrost pretoka vode: 4 l/min (običajni prezračevalnik). 1,9 l/m (nizko pretočni prezračevalnik, priložen izdelku).

Zahtevan tlak vode: 1–8 barov. Za servis potrebujete izolacijski ventil BSP 1/2".

Sekundarni povratni tok vroče vode naj bo čim bližje mešalnemu ventilu, da zmanjšate nevarnost rasti legionele.

Samodejno izplakovanje

Enota je opremljena s samodejnim izplakovalnikom vode, ki se 24 ur po zadnji uporabi aktivira za 60 sekund. To pomaga odpravljati zastajanje vode in širjenje bakterij v enoti.

Enota mora biti vedno nameščena nad delujočim umivalnikom z neoviranim in priključenim odtokom.

Čistoča vode in razvoj bioloških organizmov

V nekaterih državah veljajo predpisi in smernice, ki zahtevajo, da so temperaturno upravljani sistemi za dovod vode (kot pri sušilniku za roke v pipi Dyson Airblade Wash+Dry) podvrženi rednemu čiščenju, da kar najbolj zmanjšajo razvoj bioloških organizmov. Da bi lahko upoštevali te predpise, je sušilnik za roke v pipi Dyson Airblade Wash+Dry zasnovan in preskušen tako, da je odporen na notranje čiščenje z vročo vodo do 95 °C in z natrijevim hipokloritom pri koncentraciji 0,45 %.

Za informacije o postopkih čiščenja za ohranjanje čistoče vode in preprečevanje razvoja bioloških organizmov si oglejte predpise za določen trg in priporočila o sistemih za dovod vode.

Med notranjim čiščenjem sušilnika za roke v pipi Dyson Airblade Wash+Dry bodite pozorni na varnostna opozorila pri uporabi vroče vode ali kemikalij. Dyson ni odgovoren za morebitne poškodbe, do katerih lahko pride med tem postopkom.

Preskus zlorabe

Sušilnik za roke v pipi Dyson Airblade

Wash+Dry je prestal strogo preskušanje zlorab, kar zagotavlja, da lahko zdrži močne sile in udarce, značilne za javna in trgovinska stranišča ter kopalnice.

Po korakih

Slika 1

Položaj

Pipo namestite čez sredino umivalnika, [slika 1](#).

Po potrebi v delovno površino izrežite luknjo v premeru 35 mm.

Slika 2

Montaža pipe

Gumijasto tesnilo debeline 1 mm potisnite na telo pipe, [slika 2a](#).

Potegnite telo pipe in pritrjeno cev za vodo ter komunikacijski kabel skozi odprtino na delovni površini. Zagotovite, da je gumijasto tesnilo debeline 1 mm pod pipo položeno enakomerno in plosko.

Zagotovite, da je pipa v pravilnem položaju nad umivalnikom.

Na telo pipe potegnite gumijasto tesnilo debeline 3,5 mm.

Vijake vstavite v objemko medeninaste zaporne matice in rahlo zategnite, da ostanejo na mestu.

Na telo pipe potegnite kovinsko podložko. Privijte matico na telesu pipe, vendar med kovinsko podložko in medeninasto zaporno matico pustite 5 mm ali manj razmika.

Privijte vijake skozi medeninasto zaporno matico na kovinsko podložko in jih zategnite z roko.

A= gumijasto tesnilo debeline 1 mm
B= dovod pipe
C= cev za vodo
D= kabel sensorja
E= tesnilo debeline 3,5 mm
F= kovinska podložka
G= medeninasta zaporna matica
H= 2 vijaka

Slika 3

Montaža cevi

Sivo cev potegnite nad cev za vodo in kabel sensorja, [slika 3a](#).

Cev za vodo povlecite skozi levo izhodno odprtino v vodu cevi, kot je prikazano na [sliki 3b](#).

S kleščami nežno potisnite cev za vodo do polne bele črte, [slika 3c](#).

Nastavek na vodni cevi se mora tesno prilegati cevi, tako da je neprepusten za zrak, [slika 3b](#).

Kabel sensorja potisnite skozi desno izhodno odprtino in ga med potiskanjem rahlo vlecite, [slika 3b](#). NE uporabljajte klešč, saj lahko poškodujete električne priključke, [slika 3c](#). Nastavek na kablu se mora tesno prilegati vodu cevi, tako da je neprepusten, [slika 3d](#). Za pomoč pri nameščanju lahko uporabite silikonsko mast.

Zgornji del cevnega ovratnika trdno privijte na telo pipe, [slika 3e](#).

A= siva cev
B= cev za vodo
C= kabel sensorja

Slika 4

Priprava za namestitev podporne plošče

S podporne plošče odstranite ohišje motorja, tako da pritisnete rdečo sprostilno ročico na dnu in jo dvignete, kot je prikazano na [sliki 4a](#). Varno shranite ohišje motorja, dokler ga ne boste potrebovali.

Z izvijačem Torx T15 s podporne plošče odstranite pokrov vodne cevi in električni pokrov, [sliki 4b in 4c](#). Varno ju shranite skupaj s pritrdili, dokler jih ne boste potrebovali.

Slika 5

Montaža podporne plošče in cevi

Podporno ploščo lahko namestite na tri načine: navpično ali vodoravno levo ali desno pod kotom 90°. Razdalja od tal naj znaša vsaj 100 mm, glejte [sliko 5a](#).

Zagotovite, da je podporna plošča nameščena tako, da je cev mogoče preprosto pritrditi.

Enote motorja NE nameščajte obrnjene na glavo, da je cev obrnjena navzdol, ali nad pipo, glejte [sliko 5b](#).

Označite položaj podporne plošče na steni.

Uvod kabla

Uvod kabla je lahko z dna ali s stene ter vodi neposredno prek zadnje točke uvoda kabla v ozadje enote. Odločiti se morate, še preden začnete.

Če želite napeljati kabel prek podnožja, uporabite kleščice in pazljivo odščipnite označen odlomni del plošče na podnožju hrbtne plošče. Gladko izpilite robove na predelu preboja, [slika 5c](#).

Dovod vode

Voda je priključena na levi strani podporne plošče. Priključka vode na podporni plošči ni mogoče obračati, [slika 5d](#).

Slika 6

Montaža podporne plošče

Če bo uvod kabla potekal neposredno v podporno ploščo iz stene, pred pritrditvijo podporne plošče na steno najprej speljite električni kabel.

Pričvrstite podporno ploščo na steno z ustreznimi pritrdilnimi elementi, [slika 6](#).

Ne uporabljajte vijakov z ugreznjeno glavo.

Slika 7

Priključitev kabla sensorja.

Pritrdite sivo cev na podporno ploščo.

Kabel sensorja v cevi priključite v priključek na podporni plošči, kot je prikazano na [sliki 7](#). Preverite usmerjenost priključka – oba jezička morata biti poravnana. Prepričajte se, da je kabel pravilno napeljan v podporni plošči.

Slika 8

Priključitev cevi za vodo

Cev za vodo prerežite na črtkani beli črti, kot je prikazano na [sliki 8a](#).

Na cev za vodo povlecite pritrdilno objemko (priložena), [slika 8b](#).

Odstranite 2 križna vijaka in odpnite elektromagnetni ventil s podporne plošče, [slika 8b](#).

Pritrdite vodno cev na elektromagnetni ventil, [slika 8c](#).

Znova pritrdite elektromagnetni ventil na podporno ploščo in zategnite 2 vijaka, [slika 8d](#).

Zategnite zaponko cevi in preverite, ali je kabel elektromagnetnega ventila pravilno postavljen v pritrdilni kanal.

Slika 9

Priklop elektrike

Usmerite dovod električne energije na podporno ploščo ob pomoči ustreznega prilagodljivega oziroma trdega voda in pritrdilnih elementov. Zagotovite, da je napajalni kabel dovolj dolg za povezavo s priključnim blokom na podporni plošči.

Usmerite kabel na podporno ploščo in privijte kabelski spoj.

Olupite kabel na ustrezno dolžino in pritrdite napetostno in nevtralno žico v ustrezni priključni blok, kot je prikazano na [sliki 9](#). Preden nadaljujete, zagotovite, da so kabli pravilno nameščeni.

Slika 10

Vnovična namestitev električnega pokrova

Namestite električni pokrov in ga pritrdite s priloženimi 6 pritrdilnimi elementi. Preverite, da žice niso zataknjene.

Slika 11

Priključitev dovoda za mešano oskrbo z vodo

OPOMBA: preden pritrdite hrbtno ploščo, preverite, ali je dovod vode popolnoma očiščen, da v njem ni smeti, bakrenih opilkov itd. V nasprotnem primeru se lahko poškoduje elektromagnetni ventil.

Priklopite dovod vode za izolirani mešalnik na podporno ploščo.

Vključite vodo.

Preglejte morebitna puščanja pri glavnem dovodu vode ter povezavi med cevjo z vodo in pipo.

Preverite tudi morebitno puščanje priključka elektromagnetnega ventila.

Slika 12

Vklop naprave

Vklopite napravo.

CIKEL UMERJANJA: Ko je pipa nameščena, bo opravila 30-sekundni cikel umerjanja.

Položite roko pod tipalo na pipi, da aktivirate vodni tok. [Slika 12a](#).

Preverite za morebitna puščanja, kot je prikazano na [sliki 11](#).

Namestite pokrov vodne pipe na podporno ploščo z uporabo dveh priloženih pritrdilnih elementov. [Slika 12b](#).

Slika 13

Sestavljanje ohišja motorja

Motor pritrdite na zgornji del električnega pokrova. Potisnite ga navzdol tako, da se zaskoči na ustreznem mestu, kot je prikazano. Previdno potisnite navznoter, kot je prikazano na [sliki 13a](#).

IZBIRNO: Priložen je vijak za zaščito rdečega gumba za odpiranje in preprečevanje neželene odstranitve ohišja motorja.

Preverite pravilno delovanje enote.

Pritrjevanje ohišja motorja na podporno ploščo (izbirno).

Za odstranjevanje filtra pazljivo uporabite izvijač, tako da pipo spustite na filter, kot je prikazano [sliki 13b](#).

Pričvrstite ohišje motorja na podporno ploščo s priloženim varnostnim vijakom, [slika 13c](#).

Znova namestite filter in zagotovite, da se zaskoči na mesto, [slika 13d](#).

Poskusna montaža

Preskus normalnega delovanja sušilnika za roke:

- Postavite roke pod sredino pipe in voda bo samodejno začela teči in bo tekla, dokler bodo roke na tem mestu.
- Postavite roke na katero koli stran pipe, sušilnik za roke se bo vklopil in z zrakom osušil roke z vseh strani.
- Roke počasi premikajte naprej in nazaj skozi zrak. Pri tem jih obračajte, tako da bosta tako zgornja kot spodnja stran dlani izpostavljeni zračnemu toku.

Odpravljanje napak

Sušilnik za roke se ne vklopi:

- Preverite delovanje varovalke/prekinjala električnega toka ter se prepričajte, da je naprava priključena na električno in vodovodno napeljavo.
- Prepričajte se, da ni nameščen zaščitni pokrov ter da so tipala čista in neovirana.
- Izklopite in ponovno vklopite napravo.

Sušilnik za roke se nenadzorovano vklopi in izklopi:

- Izklopite in ponovno vklopite napravo.
- Če je v umivalniku čep za zamašitev, ga odstranite.
- Preverite, ali so tipala čista.
- Prepričajte se, da je kabel tipala pipe trdno priključen.

Sušilnik za roke se včasih med uporabo izklopi:

- Izklopite in ponovno vklopite napravo.
- Preverite, ali so tipala čista.
- Prepričajte se, da so odprtine za zrak čiste in da na njih ni prahu. Če se je na odprtinah nabral prah, ga odstranite.
- Zagotovite, da na odprtinah za zrak ni nobenih ovir in da je okoli njih dovolj prostora.

Čas sušenja se je podaljšal:

- Preverite, ali se je na odprtinah za zrak nabral prah, in ga odstranite.
- Preglejte filter in ga po potrebi zamenjajte.
- Prepričajte se, da je cev trdno pritrjena na dno pipe in da nikjer ne pušča.

Zračni tok je toplejši kot običajno:

- Preverite, ali se je na odprtinah za zrak nabral prah, in ga odstranite.
- Preglejte filter in ga po potrebi zamenjajte.
- Prepričajte se, da je cev trdno pritrjena na dno pipe in da nikjer ne pušča.

Zrak neprekinjeno piha:

- Preverite, ali so v umivalniku kakršni koli predmeti, in jih po potrebi odstranite.
- Preverite, ali so tipala čista in neovirana.
- Preglejte filter in ga po potrebi zamenjajte.
- Prepričajte se, da je cev trdno pritrjena na dno pipe in da nikjer ne pušča.

Zrak ne piha:

- Izklopite in ponovno vklopite napravo.
- Preverite delovanje varovalke/prekinjala električnega toka in se prepričajte, da je naprava priključena na elektriko.
- Preverite, ali so tipala čista.
- Prepričajte se, da je cev za zrak trdno pritrjena na dno pipe in da nikjer ne pušča.
- Prepričajte se, da je kabel tipala pipe trdno priključen.

Iz pipe neprestano teče voda:

- Preverite, ali so tipala čista in neovirana.

Iz pipe ne teče voda:

- Prepričajte se, da sta vklopljeni elektrika in voda ter da je odprt izolacijski ventil.
- Prepričajte se, da na prezračevalniku ni umazanije, in ga po potrebi odstranite ter očistite/zamenjajte.

Voda iz pipe je pretopla ali premrzla:

- Preverite, ali je mešalni ventil nastavljen na želeno temperaturo.
- Za dodatno podporo in informacije se obrnite na službo za pomoč strankam ali obiščite www.dyson.com.

TH

สารบัญ

คำแนะนำด้านความปลอดภัยที่สำคัญ 271 

รายการในกล่อง 272

รายการตรวจสอบก่อนติดตั้ง 273

การติดตั้ง

คำแนะนำที่ละขั้นตอน 275

ทดสอบการติดตั้ง 276

การแก้ไขปัญหา 276

คำแนะนำด้านความปลอดภัยที่สำคัญ

อ่านและเก็บรักษาวิธีการปฏิบัตินี้ไว้

ก่อนติดตั้งหรือใช้หรือใช้อุปกรณ์นี้ กรุณาอ่านวิธีการใช้งานและเครื่องหมายคำเตือนการใช้งานในคู่มือการติดตั้งนี้และคู่มือการใช้งาน

คำเตือน

งานติดตั้งและซ่อมแซมทั้งหมด (งานท่อและระบบไฟฟ้า) จะต้องดำเนินการโดยช่างที่มีคุณสมบัติเหมาะสมหรือวิศวกรฝ่ายบริการจาก Dyson และจะต้องเป็นไปตามระเบียบหรือข้อกำหนดท้องถิ่น

คำเตือน

เสี่ยงต่อไฟช็อต!

หากมีการถอดโครงออกหรือมีการจัดการอย่างไม่เหมาะสม ส่วนประกอบภายในอาจก่อให้เกิดอันตรายหรืออาจเสียหายอย่างถาวร

อุปกรณ์นี้ต้องมีการต่อสายดินเพื่อลดความเสี่ยงการเกิดไฟไหม้ ไฟฟ้าช็อต หรือการบาดเจ็บต่อบุคคล ปฏิบัติตามดังต่อไปนี้

ก่อนเริ่มติดตั้ง คุณจะต้องแน่ใจในสิ่งเหล่านี้

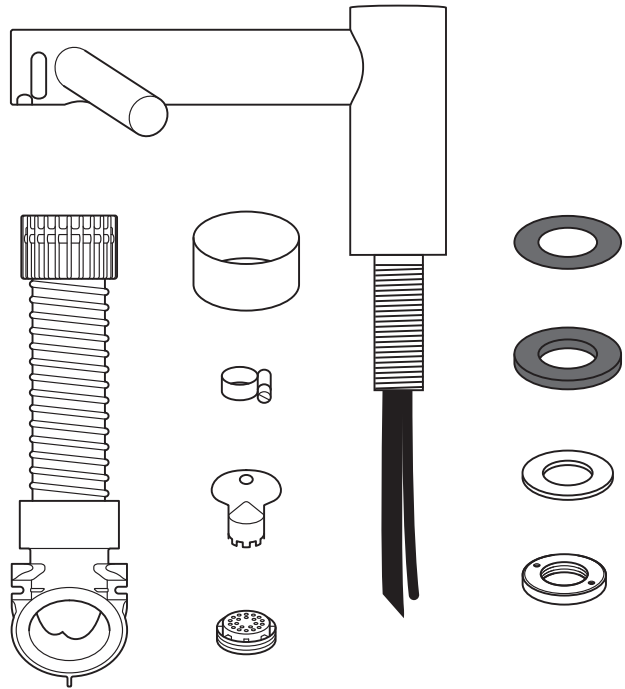
- ตรวจสอบว่าระดับไฟฟ้าที่จ่ายเข้าสอดคล้องกับป้ายระบุค่าพิกัดสำหรับอุปกรณ์หรือไม่
- การตัดวงจรทุกข้อจะต้องติดตั้งในลักษณะการเดินสายถาวรและเป็นไปตามข้อกำหนดการเดินสายในท้องถิ่น
- ต่อเข้ากับแหล่งไฟด้วยอุปกรณ์ที่ร้อยสายไฟและอุปกรณ์ไฟฟ้าที่เหมาะสม ตรวจสอบให้แน่ใจว่าท่อร้อยสายไฟและสายไฟมีความยาวเพียงพอที่จะเชื่อมต่อกับแผ่นปิดด้านหลังและบล็อกขั้วต่อ ท่อร้อยสายไฟที่ทำจากโลหะแข็งไม่เหมาะสำหรับเดินสายไฟเข้าจากด้านข้างตัวเครื่อง




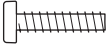
คำเตือน

นำชิ้นส่วนต่างๆ ออกจากกล่องด้วยความระมัดระวัง อุปกรณ์อาจมีขอบ/มุมที่แหลมคมซึ่งอาจทำให้บาดเจ็บหรือเป็นอันตรายได้

ห้ามใช้อุปกรณ์ชำระล้างแรงดันสูงทำความสะอาดตัวอุปกรณ์หรือใกล้อุปกรณ์

รายการในกล่อง

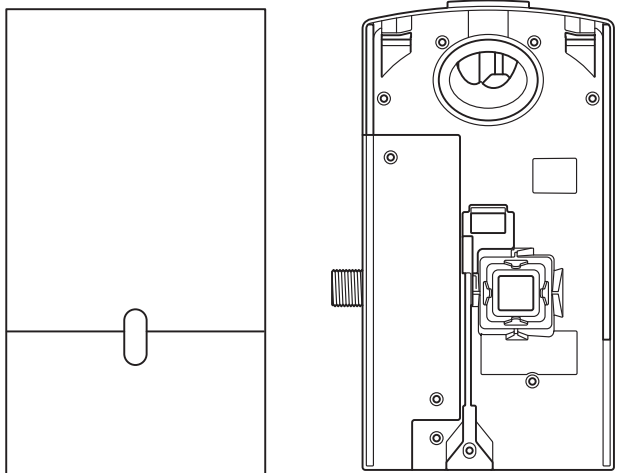


- x2  
- x1  

อุปกรณ์ที่ต้องใช้:

- ไขควงแฉก ขนาดเล็ก
- ไขควงแบน 7 มม.
- ไขควงแบน 2.5 มม.
- ไขควงหกแฉก T15
- สายวัดและดินสอ
- สว่านมือ
- ดอกสว่านที่เหมาะสม
- คีม / คีมปอกสายไฟ
- มีด
- ประแจเลื่อน

TH



รายการตรวจสอบก่อนติดตั้ง

ภาพ A

การวางแผนก่อนติดตั้ง

เครื่องเป่ามือ Dyson Airblade Wash+Dry ได้รับการออกแบบให้ส่วนของมอเตอร์ติดตั้งอยู่บนผนังได้อย่างล้ำมือ ภาพ A(i).

แนะนำให้ใช้อุปกรณ์ติดตั้งฟิลเตอร์แบบอินไลน์ เพื่อป้องกันความเสียหายที่อาจกระทบต่อการรับประกันของคุณ

— เมื่อพื้นที่ว่างให้เพียงพอสำหรับการติดตั้งและตรวจสอบ

ดูภาพ A(ii).

— ชิ้นส่วนนี้ได้รับการออกแบบมาเพื่อใช้ในพื้นที่แห้งและภายในเท่านั้น

— อ้างอิงระเบียบและข้อกำหนดระดับประเทศและท้องถิ่นเกี่ยวกับการติดตั้งอุปกรณ์ ผู้ติดตั้งจะต้องรับผิดชอบในการดำเนินการตามและให้สอดคล้องกับข้อกำหนดที่มี ตรวจสอบให้แน่ใจว่าการติดตั้งอุปกรณ์เป็นไปตามระเบียบ และ/หรือ ข้อบังคับเกี่ยวกับอาคารทั้งหมด

— การติดตั้งทุกครั้งจะต้องติดตั้งในลักษณะการเดินสาย

ถาวรและเป็นไปตามข้อกำหนดการเดินสายในท้องถิ่น

— ทำการตัดไฟและน้ำก่อนทำการติดตั้งหรือบริการ

— ตรวจสอบว่าไม่มีการวางท่อ (แก๊ส น้ำ อากาศ) หรือสายเคเบิลไฟฟ้า สายไฟ หรืองานท่อลมด้านหลังพื้นที่ที่จะทำการเจาะติดตั้งอุปกรณ์

— Dyson แนะนำให้สวมใส่เครื่องแต่งกาย แวนตา และอุปกรณ์ป้องกันที่จำเป็นในขณะติดตั้ง/ซ่อมแซม

— อุปกรณ์นี้ออกแบบมาสำหรับการเชื่อมต่อถาวรเข้ากับอุปกรณ์จ่ายน้ำหลัก

การใช้งานในสถานที่เตรียมอาหาร

สำหรับสถานที่เตรียมอาหาร จำเป็นต้องมีการติดตั้งแบบพิเศษ โดยจะต้องติดตั้งกล่องมอเตอร์และสายในกล่องที่สามารถทำความสะอาดได้ หรือติดตั้งกล่องมอเตอร์ที่ผนังอีกฝั่งหนึ่งเพื่อให้มีพื้นที่ว่างเพียงพอสำหรับทำความสะอาดด้านล่าง (หากเป็นไปได้) และเพื่อให้อุปกรณ์อยู่ห่างจากอาหารที่ไม่มีการปิดคลุม หรือพื้นผิวที่มีการสัมผัสอาหารซึ่งไม่ได้มีการปิดคลุมอย่างน้อย 2.5 เมตร

อ้างอิงถึงคู่มือการแนะนำอ่างล้างมือที่ www.dyson.com ก่อนการติดตั้ง

ภาพ B

แนะนำสเปคอ่างล้างมือ

วิศวกรของ Dyson ได้ทำการทดสอบอ่างหลากหลายประเภทเพื่อวัดระดับการใช้งานร่วมกับเครื่องเป่ามือพร้อมก๊อกน้ำ Dyson Airblade Wash+Dry ด้วยวิธีการทดสอบที่ออกแบบมาโดยเฉพาะ สำหรับอ่างล้างมือแนะนำ กรุณาอ่านคู่มือของเราได้ที่ www.dyson.com

อ่างพอร์ซเลน หรือโลหะขัดจะใช้ได้ดีที่สุด ควรหลีกเลี่ยงอ่างที่พื้นผิวมีความมันวาวสูง เช่น อ่างโครเมียมสะท้อนแสง สำหรับขนาดกว้างยาวสูงของอ่างขั้นต่ำ **อ้างอิงภาพ B**

ภาพ C/D/E

การติดตั้งก๊อกน้ำ

ควรเว้นระยะจากขอบอ่างล้างมือถึงกึ่งกลางก๊อกน้ำอย่างน้อย 100 มม. แต่ไม่เกิน 155 มม **ภาพ C**

ควรเว้นระยะจากกึ่งกลางก๊อกน้ำถึงกำแพงด้านข้างอย่างน้อย 290 มม. หากมีการติดตั้งก๊อกน้ำหลายจุดเรียงกัน ระยะห่างระหว่างกึ่งกลางก๊อกแต่ละอันควรมีไม่น้อยกว่า 580 มม.

เพื่อให้มีพื้นที่เพียงพอสำหรับการติดตั้งชุดมอเตอร์ รวมทั้งให้มีระยะห่างระหว่างผู้ใช้งานแต่ละคนอย่างเพียงพอ. **ภาพ D** ห้ามจัดตำแหน่งเซ็นเซอร์ก๊อกน้ำที่หันลงด้านล่างไว้เหนือพื้น

ผิวสะท้อนแสง เช่น กระจก **ภาพ E**

ภาพ F

สปูล้างมือและตำแหน่งเครื่องจ่ายสปูล้างมือ

เพื่อประสิทธิภาพการใช้งานที่ดีที่สุด Dyson แนะนำให้ใช้สปูล้างมือชนิดเจล

เซ็นเซอร์อินฟราเรดสำหรับเปิดใช้งานลมเป่าอยู่ตามแนวแกนของก๊อกน้ำทั้งสองด้าน เพื่อป้องกันการเปิดใช้งานโดยไม่ได้ตั้งใจ ให้คำนึงถึงเส้นทางของมือที่เอื้อมไปยังเครื่องจ่ายสปูล้างมือด้วย

เครื่องจ่ายสปูล้างมือควรอยู่ห่างจากแนวกว้างของก๊อกน้ำอย่างน้อย 60 มม. เพื่อให้ผู้ใช้งานเอื้อมพ้นระยะก้านของก๊อกน้ำ

และควรอยู่เหนือก้านของก๊อกน้ำอย่างน้อย 60 มม. เพื่อไม่ให้เซ็นเซอร์ทำงานโดยไม่ตั้งใจ

ควรคำนึงด้วยว่าผู้ใช้งานอาจก้มมือในแนวทแยงเพื่อกดสปู ดังนั้นควรคำนวณไม่ให้เส้นทางดังกล่าวไปถูกโซนของเซ็นเซอร์

ภาพ G/H

การระบายน้ำ

เนื่องจากทั้งลมและน้ำที่ไหลแรงทำงานอยู่ในพื้นที่ใกล้กัน จึงเป็นไปได้ที่น้ำและสปูอาจจะกระเด็นออกจากแนวอ่าง เพื่อบรรเทาเหตุดังกล่าว เราขอแนะนำให้ปฏิบัติตามข้อแนะนำด้านล่างนี้

ลักษณะกั้นอ่าง

อ่างกั้นแบนจะระบายน้ำได้ไม่ดีและทำให้มีน้ำกระเซ็นค่อนข้างมาก เพื่อปรับปรุงการระบายน้ำ ให้หลีกเลี่ยงอ่างกั้นแบนที่รัศมีรอบรูระบายอย่างน้อย 60 มม. มีความแบนราบ **ภาพ G**

อ่างที่พื้นทำมุม 6° จากขอบรูระบายจะสามารถระบายน้ำได้ดีกว่าและลดปัญหาน้ำกระเซ็นได้มาก (รัศมีอย่างน้อย 60 มม.) **ภาพ F**

ภาพ I/J/K

ลักษณะอ่างจากกึ่งกลางไปถึงผนังด้านหลังและหลัง

ควรพิจารณาถึงลักษณะอ่างจากกึ่งกลางไปถึงผนังด้านหลังและหลังด้วยเช่นกัน ผนังด้านหลังอ่างควรทำมุมใกล้เคียง 90° และเป็นมุมที่คมที่สุดเท่าที่จะเป็นไปได้ **ภาพ I** มุมโค้งจะทำให้มีความเสี่ยงของน้ำกระเซ็นมากขึ้น **ภาพ J** ในขณะที่ยังมีลักษณะลาดเอียงจากผนังอ่างทั้งด้านหน้าและด้านหลังเป็นสิ่งที่ควรหลีกเลี่ยง **ภาพ K**

ภาพ L

สะดืออ่าง

แนะนำให้ใช้สะดืออ่างแบบที่มีรูเปิดกว้าง และให้เหล็กเลี้ยงสะดืออ่างแบบรูถี่หรือรูตะแกรง เนื่องจากจะปิดกั้นการระบายของน้ำสบู่ (ฟอง) อย่าใช้สะดืออ่างแบบมีฝาปิดอ่างล้างมือ

ภาพ M

การควบคุมอุณหภูมิน้ำ

ถ้าคุณต่อกับระบบน้ำร้อนและน้ำเย็น คุณจะต้องติดตั้งวาล์วผสมน้ำถ้าต่อกับระบบน้ำเย็นอย่างเดียว คุณจะต้องติดตั้งเครื่องทำน้ำร้อน

ระบบจ่ายน้ำที่เชื่อมต่อกับผลิตภัณฑ์นี้จะติดตั้งร่วมกับอุปกรณ์ควบคุมอุณหภูมิตามข้อกำหนดในท้องที่

- A= วาล์วผสมน้ำ
- B= จุดจ่ายน้ำร้อนและเย็น
- C= น้ำในอุณหภูมิที่ต้องการ
- D= วาล์วตัดตอน
- E= ตัวทำความร้อน
- F= ท่อน้ำเย็นเข้า

ข้อมูล เพิ่มเติม

การติดตั้ง

ห้ามใช้วัสดุยาแนวในการยึดอุปกรณ์เข้ากับผนัง ตรวจสอบให้แน่ใจว่าได้เตรียมการเชื่อมต่อ แหล่งจ่ายไฟ อุปกรณ์จ่ายน้ำแบบผสม และทางระบายน้ำเอาไว้แล้ว ต้องมีการเดินไฟฟ้าและน้ำแยกส่วนเพื่อให้สามารถปิดแหล่งจ่ายก่อนทำการติดตั้งและสำหรับการตรวจสอบ

ไฟฟ้า

แรงดันไฟฟ้าขาเข้า/ความถี่: อ้างอิงป้ายระบุค่าพิกัด ตัดกระแสไฟฟ้าด้วย สวิตช์คัทไฟวอลล์ หรือ เครื่องตัดไฟรั่ว ตามความเหมาะสม กระแส 6.6 แอมป์ สเปคสายไฟ: สายหุ้มฉนวน PVC 2 เส้น + สาย หุ้มฉนวน PVC 1 เส้น (สายดิน)

การติดตั้งหรือซ่อมแซมผลิตภัณฑ์จะต้องปฏิบัติตามข้อกำหนดเกี่ยวกับการติดตั้งไฟฟ้าในท้องที่

กำลังไฟฟ้า: อ้างอิงป้ายระบุค่าพิกัด

ช่วงอุณหภูมิการทำงาน: 0° – 40°

เซลเซียส ค่าการใช้พลังงานระหว่างสแตนด์บาย:

ต่ำกว่า 0.5 วัตต์

ระดับความสูงสูงสุด: 2,000 เมตร

การทำงานของน้ำ

อัตราการไหลของน้ำ: 4 ลิตร/นาที ด้วยตัวเพิ่มแรงดันอากาศปกติ 1.9 ลิตร/นาที ด้วยตัวเพิ่มแรงดันอากาศแบบประหยัด น้ำที่ไหลมากับผลิตภัณฑ์

ระดับความดันน้ำที่กำหนด: 1-8 บาร์ ต้องใช้วาล์วตัดตอนมาตรฐาน BSP ขนาด 1/2"

ติดตั้งท่อส่งน้ำร้อนสำรองกลับให้อยู่ใกล้ วาล์วผสมให้มากที่สุดเพื่อลดความเสี่ยงการเติบโตของแบคทีเรียลิจิโอเนลลา

ระบบชำระล้างอัตโนมัติ

อุปกรณ์นี้มาพร้อมกับระบบชำระล้างอัตโนมัติที่ติดตั้งด้วย ซึ่งจะทำงานเป็นเวลา 60 วินาทีหลังจากการใช้ครั้งสุดท้าย 24 ชั่วโมง ซึ่งจะช่วยลดปัญหาน้ำนิ่งขังและการขยายตัวของแบคทีเรียในตัวอุปกรณ์

ตรวจสอบให้แน่ใจว่าอุปกรณ์ได้รับการติดตั้งอยู่บนอ่างล้างมือสำหรับใช้งานซึ่งต่อท่อระบายน้ำทิ้งและระบบบำบัด

ความสะอาดของแหล่งน้ำและการเติบโตของจุลินทรีย์

บางประเทศมีข้อกำหนดและแนวทางที่กำหนดให้มีระบบจ่ายน้ำแบบควบคุมอุณหภูมิ เช่น ระบบน้ำแบบที่ส่งไปยังเครื่องเป่ามือ (Dyson Airblade Wash+Dry) โดยกำหนดให้มีการทำความสะอาดเป็นประจำเพื่อลดการเติบโตของจุลินทรีย์ เพื่อให้คุณสามารถทำตามข้อกำหนดเหล่านี้ เครื่องเป่ามือ

Dyson Airblade Wash+Dry จึงได้รับการออกแบบและทดสอบให้สามารถทนต่อการทำความสะอาดทั้งด้วยความร้อนสูงถึง 95° เซลเซียส และด้วยไฮโดรเจนเปอร์ออกไซด์ที่มีความเข้มข้น 0.45%

กรุณาอ้างอิงข้อกำหนดเฉพาะด้านความสะอาด (ของแต่ละตลาด) และข้อแนะนำด้านระบบจ่ายน้ำสำหรับความสะอาดของแหล่งน้ำและการเติบโตของจุลินทรีย์ในประเทศของคุณ

เมื่อทำความสะอาดภายในเครื่องเป่ามือ Dyson Airblade Wash+Dry กรุณาคำนึงถึงความปลอดภัยต่างๆ ในการใช้น้ำร้อนและสารเคมี Dyson จะไม่รับผิดชอบต่อการบาดเจ็บที่เกิดขึ้นจากขั้นตอนดังกล่าว

การทดสอบการใช้งานหนัก

เครื่องเป่ามือ Dyson Airblade Wash+Dry ได้รับการทดสอบการใช้งานอย่างหนักเพื่อให้แน่ใจว่าสามารถทนทานต่อแรงกดและกระแทกสำหรับการใช้งานในห้องน้ำในสถานที่เชิงพาณิชย์และสาธารณะ

คำแนะนำที่ละขั้นตอน

ภาพ 1

การจัดตำแหน่ง

วางก๊อกร้านข้างล่างมือเหนือตำแหน่งกึ่งกลางดังรูป 1.

เจาะรูเส้นผ่าศูนย์กลาง 35 มม.บนพื้นผิวที่ทำงาน ถ้าจำเป็น

- A= ซึลยางขนาด 1 มม.
- B= ก้านก๊อกน้ำ
- C= ท่อน้ำ
- D= สายเซ็นเซอร์
- E= ซึลยางขนาด 3.5 มม.
- F= แหวนรองโลหะ
- G= น็อตล็อกทองเหลือง
- H= สกรู 2 ตัว

ภาพ 2

การติดตั้งก๊อกน้ำ

สวมแหวนยางกันซีมขนาด 1 มม.เข้าหาก้านก๊อกน้ำ ภาพ 2a.

สอดก้านก๊อกน้ำพร้อมท่อที่ติดตั้งมาด้วยและสายเคเบิลสื่อสาร ข้อมูลผ่านช่องในพื้นผิวที่จะใช้งาน ตรวจสอบว่าติดตั้งแนวยางกันซีมขนาด 1 มม.ได้ก๊อกน้ำได้แนบสนิท

ตรวจสอบตำแหน่งก๊อกน้ำเหนืออ่างน้ำให้ถูกต้อง

สวมแหวนยางกันซีมขนาด 3.5 มม.เข้าหาก้านก๊อกน้ำ

ใส่สกรูในแหวนล็อกทองเหลือง และขันให้แน่นเล็กน้อยเพื่อให้เข้าที่

สวมแหวนรองโลหะเข้ากับก้านก๊อกน้ำ

ขันน็อตล็อกทองเหลืองเข้ากับก้านก๊อกน้ำ โดยให้เหลือช่องว่างระหว่างแหวนรองโลหะกับน็อตล็อกทองเหลืองไว้เท่ากับ 5 มม. หรือน้อยกว่า

ขันสกรูเข้ากับแหวนรองโลหะผ่านน็อตล็อกทองเหลืองเข้าไปให้แน่น เพียงแค่พอตึงมือ

ภาพ 3

การติดตั้งท่ออ่อน

เลื่อนท่อสีเทาขึ้นมารอบท่อและสายเซ็นเซอร์ ภาพ 3a

สอดท่อผ่านรูทางออกด้านซ้ายของท่ออ่อนตามภาพ 3b

ใช้คีมค่อยๆ ดึงท่อที่ออกมาจนถึงเส้นที่บัสขาวตามภาพ 3c

ตรวจสอบให้แน่ใจว่าช่องยางร้อยสายท่อแนบสนิทกับสายอ่อนจนไม่เหลือช่องให้อากาศเข้าได้ตามภาพ 3b

สอดสายเซ็นเซอร์ผ่านรูทางออกทางขวา ดังเบาๆ เมื่อสอดสายเข้าในรู ตามภาพ 3b ห้ามใช้คีม เนื่องจากอาจทำความเสียหายให้กับการเชื่อมต่อไฟฟ้าได้ ภาพ 3c ตรวจสอบให้แน่ใจว่าช่องยางร้อยสายไฟติดแนบสนิทกับสายอ่อนเพื่อไม่ให้เหลือช่องอากาศผ่านเข้าได้ ภาพ 3d สามารถใช้ซิลิโคนหล่อลื่น (Silicone grease) ช่วยในการติดตั้งได้

ขันปลอกท่อด้านบนขึ้นไปยังก้านก๊อกน้ำด้วยมือให้แน่น ภาพ 3e

- A= ท่อสีเทา
- B= ท่อน้ำ
- C= สายเซ็นเซอร์

ภาพ 4

การเตรียมติดตั้งแผ่นปิดด้านหลัง

นำกล่องมอเตอร์ออกจากแผ่นปิดด้านหลังโดยปลดตัวล็อกสีแดง ด้านล่างแล้วยกขึ้นดังที่แสดงในภาพ 4a เก็บกล่องมอเตอร์ไว้ในที่ปลอดภัยจนกว่าจะนำมาใช้

ถอดฝาครอบท่อและฝาครอบระบบไฟฟ้าออกจากแผ่นปิดด้านหลังโดยใช้ไขควงหกแฉก T15 ดังที่แสดงในภาพ 4b และ 4c เก็บไว้ในที่ปลอดภัยพร้อมกับตัวยึดจนกว่าจะนำมาใช้

ภาพ 5

การวางแผนติดตั้งแผ่นปิดด้านหลัง

แผ่นปิดด้านหลังสามารถจัดวางได้สามตำแหน่ง: แนวตั้ง หรือ แนวนอน 90° ทางซ้ายหรือทางขวาก็ได้ จะต้องมียะห่างจากพื้นอย่างน้อย 100 มม. ดูภาพ 5a

ดูให้แน่ใจว่าฝาปิดด้านหลังอยู่ในตำแหน่งที่สามารถใส่ได้อย่างไ้ได้ง่าย

ห้ามติดตั้งมอเตอร์กลับหัวและท่อที่ยังตั้งด้านข้าง หรือติดตั้งบนก๊อกน้ำเด็ดขาด ดูภาพ 5b

ทำเครื่องหมายตำแหน่งของแผ่นปิดด้านหลังบนผนังด้วยดินสอ

ช่องสายไฟเข้า

คุณสามารถเลือกเดินสายไฟเข้าทางฐานเครื่อง หรือจากผนังเข้าด้านหลังเครื่องโดยตรงทางเดินสายเคเบิลด้านหลัง เลือกวิธีเดินสายที่ต้องการก่อนเริ่มติดตั้ง

ถ้าเลือกเดินสายไฟเข้าจากฐานเครื่อง ให้ใช้คีมดึงแผ่นปิดช่องเดินสายไฟที่ห่อรอยไว้ออกจากฐานของแผ่นปิดด้านหลัง ใช้ตะไบแต่งขอบช่องเดินสายไฟให้เรียบ ภาพ 5c

ทางน้ำเข้า

ช่องต่อท่อน้ำอยู่ทางด้านซ้ายมือของแผ่นปิดด้านหลัง ไม่สามารถเปลี่ยนตำแหน่งช่องต่อท่อน้ำไปเป็นที่อื่นในแผ่นปิดด้านหลังได้ ภาพ 5d

ภาพ 6

การติดตั้งแผ่นปิดด้านหลัง

ถ้าเลือกเดินสายไฟจากผนังเข้าด้านหลังเครื่องโดยตรง ให้ดึงสายเคเบิลไฟฟ้าผ่านออกมาก่อนทำการยึดแผ่นปิดด้านหลังเข้ากับผนัง

ยึดแผ่นปิดด้านหลังเข้ากับผนังด้วยอุปกรณ์ยึดที่เหมาะสม ภาพ 6

ห้ามใช้สกรูหัวจม

ภาพ 7

การต่อสายเซ็นเซอร์

คลิปท่อเข้าไปในแผ่นปิดด้านหลัง

เสียบสายเซ็นเซอร์ในท่ออ่อนเข้ากับช่องเสียบที่แผ่นด้านหลังดังแสดงในภาพ 7 ตรวจสอบตำแหน่งของช่องเสียบ ให้แถบทั้งสองตรงกัน ตรวจสอบว่าการเดินสายเคเบิลทำผ่านช่องที่ถูกต้องที่แผ่นปิดด้านหลัง

ภาพ 8

การต่อท่อน้ำ

ตัดท่อน้ำให้ได้ขนาดตามเส้นประสีขาวที่แสดงในภาพ 8a

เลื่อนคลิปยึดท่อ (ที่ห่อมาด้วย) ไปบนท่อน้ำ ภาพ 8b

ถอดสกรูหัวแฉก 2 ตัว แล้วคลายโซลินอยด์จากแผ่นปิดด้านหลัง
ภาพ 8b

ต่อพ่วงน้ำเข้ากับโซลินอยด์ ภาพ 8c

ติดโซลินอยด์กลับเข้าไปบนแผ่นปิดด้านหลัง แล้วยึดให้แน่นด้วยสกรู 2 ตัว ภาพ 8d

ขันคลิปลัดท่อให้แน่น เพื่อให้แน่ใจว่าสายโซลินอยด์อยู่ในตำแหน่งที่ถูกต้องในแนวตั้ง

ภาพ 9

การต่อเข้าแหล่งจ่ายไฟฟ้า

ต่อแหล่งจ่ายไฟฟ้ามายังแผ่นปิดด้านหลังด้วยท่อร้อยสายแบบอ่อนหรือแบบแข็งที่ได้รับการรับรอง ตรวจสอบให้แน่ใจว่าสายไฟมีความยาวเพียงพอที่จะร้อยเข้ากับกล่องอุปกรณ์ต่อสายที่อยู่บนแผ่นปิดด้านหลัง

ต่อสายไฟมายังแผ่นปิดด้านหลังแล้วขันเกลียวเคเบิลเกลนต์ให้แน่น

ปกสายไฟตามความยาวที่เหมาะสมและใส่สายไฟฟ้าและสายไฟกลางเข้าไปในอุปกรณ์ต่อสายตามภาพ 9 ตรวจสอบว่าสายไฟอยู่ในตำแหน่งที่ถูกต้องก่อนดำเนินการต่อ

ภาพ 10

ประกอบฝาปิดระบบไฟฟ้าเข้าไปใหม่

ติดฝาปิดระบบไฟฟ้าแล้วยึดให้แน่นด้วยอุปกรณ์ยึดจำนวน 6 ตัวที่ให้มาโดยตรวจสอบให้แน่ใจว่าไม่มีสายไฟถูกหนีบอยู่

ภาพ 11

ต่ออุปกรณ์จ่ายน้ำผสม

หมายเหตุ: ดูให้แน่ใจว่าแหล่งจ่ายน้ำไม่มีฝุ่นผง เศษทองแดง ฯลฯ ก่อนที่จะต่อเข้ากับแผ่นปิดด้านหลัง การไม่ตรวจสอบดังกล่าวอาจทำให้วาล์วโซลินอยด์เสียหาย

เชื่อมต่ออุปกรณ์จ่ายน้ำแบบผสมที่ตัดไฟแล้วบนแผ่นปิดด้านหลัง
เปิดน้ำ

ตรวจสอบรอยรั่วซึมที่จุดเม่นจ่ายน้ำเข้าและจุดต่อก่อนน้ำเข้ากับท่อน้ำ

และตรวจสอบหาจุดรั่วซึมที่รอยต่อ โซลินอยด์

ภาพ 12

เปิดสวิตช์

เปิดสวิตช์เครื่อง

รอบการปรับเทียบ: เมื่อติดตั้งแล้ว ก๊อกน้ำมีรอบเวลาปรับเครื่อง 30 วินาทีก่อนเริ่มใช้งาน

นำมือวางไว้ใต้เซ็นเซอร์บนก๊อกน้ำเพื่อเปิดน้ำให้ไหลออกมา
ภาพ 12a

ตรวจสอบการรั่ว ตามภาพ 11

ยึดฝาครอบท่อน้ำเข้ากับแผ่นปิดด้านหลังโดยใช้อุปกรณ์ยึดจำนวน 2 x ตัวที่เตรียมไว้ให้ ภาพ 12b

ภาพ 13

ติดตั้งกล่องมอเตอร์

เกี่ยวมอเตอร์เข้ากับด้านบนของฝาครอบระบบไฟฟ้า หมุนกดกล่องมอเตอร์ลงด้านล่างจนมีเสียงคลิกเข้าที่ตังรูป ดันเข้าไปให้แน่น
ภาพ 13a

ตัวเลือก: สกรูมีไว้เพื่อยึดปุ่มปลดสีแดง และป้องกันการถอดกล่องมอเตอร์ออกโดยไม่ได้ตั้งใจ

ทดสอบอุปกรณ์ว่าทำงานได้ถูกต้องหรือไม่

การยึดแท่นวางมอเตอร์เข้ากับแผ่นปิดด้านหลัง

(ทางเลือก)

ในการถอดตัวกรอง ให้ใช้ไขควงปลดแถบล็อกบนตัวกรองเบา ๆ ดังแสดง ภาพ 13d

ยึดแท่นวางมอเตอร์เข้ากับแผ่นปิดด้านหลังโดยใช้สกรูรักษาความปลอดภัยที่ให้มา ภาพ 13c

ใส่ตัวกรองกลับเข้าไป ตรวจสอบให้แน่ใจว่าติดแน่นอยู่ในตำแหน่งที่ถูกต้องแล้ว ภาพ 13d

ทดสอบการติดตั้ง การแก้ไขปัญหา

ทดสอบเครื่องเป่ามือว่าทำงานได้ถูกต้องหรือไม่:

- วางมือไว้ใต้กึ่งกลางก๊อก แล้วน้ำจะไหลออกมาโดยอัตโนมัติ และจะไหลอยู่ตลอดเมื่อมืออยู่ในตำแหน่ง
- วางมือไว้ข้างใดข้างหนึ่งจากกึ่งกลางก๊อกเพื่อให้ที่เป่ามือทำงาน และสร้างม่านลมเพื่อรีดน้ำออกจากมือของคุณ
- ขยับมือของคุณไปด้านหน้าและหลังซ้ำๆ ผ่านม่านลม พลิกมือไปมาเพื่อให้ทั้งหลังมือและหน้ามือสัมผัสกระแสลม

เครื่องเป่ามือไม่ทำงาน:

- ตรวจสอบฟิวส์/เบรกเกอร์ตัดวงจรว่ายังทำงานได้ดี และมีการเชื่อมต่อกับแหล่งจ่ายไฟและท่อจ่ายน้ำ
- ตรวจสอบให้แน่ใจว่าถอดฝาครอบสำหรับทำความสะอาดออกแล้ว และเซ็นเซอร์สะอาดไม่มีสิ่งกีดขวาง
- ปิดและเปิดเครื่องใหม่

เครื่องเป่ามือเปิดและปิดอย่างไม่ถูกต้อง:

- ปิดและเปิดเครื่องใหม่
- ตรวจสอบให้แน่ใจว่าไม่มีจุกอยู่ในอ่างและถ้ามีให้นำจุก อ่างออก
- ตรวจสอบให้แน่ใจว่าเซ็นเซอร์สะอาด
- ตรวจสอบว่าการเชื่อมต่อสายเคเบิลเซ็นเซอร์จากก๊อกน้ำ อย่างแน่นหนาแล้ว

บางครั้งเครื่องเป่ามือหยุดระหว่างที่ใช้งาน:

- ปิดและเปิดเครื่องใหม่
- ตรวจสอบให้แน่ใจว่าเซ็นเซอร์สะอาด
- ตรวจสอบว่าช่องน้ำเข้าอากาศสะอาดและปราศจากฝุ่น ถ้าท่อช่องน้ำเข้าอากาศมีฝุ่นมาก ให้ทำความสะอาดเอา ฝุ่นออก
- ตรวจสอบให้แน่ใจว่าช่องน้ำเข้าอากาศไม่มีสิ่งกีดขวางและมีระยะห่างเพียงพอ

ช่วงเวลาเป่าแห้งยาวนานขึ้น:

- ตรวจสอบช่องน้ำเข้าอากาศว่ามีฝุ่นหรือไม่ และทำความสะอาด
- ตรวจสอบตัวกรองและเปลี่ยน หากจำเป็น
- ตรวจสอบให้แน่ใจว่าได้ยึดท่อเข้ากับฐานของก๊อกน้ำอย่างแน่นหนา และไม่มีการรั่วซึมเกิดขึ้น

ลมที่เป่าร้อนกว่าปกติ:

- ตรวจสอบช่องน้ำเข้าอากาศว่ามีฝุ่นหรือไม่ และทำความสะอาด
- ตรวจสอบตัวกรองและเปลี่ยน หากจำเป็น
- ตรวจสอบให้แน่ใจว่าได้ยึดท่อเข้ากับฐานของก๊อกน้ำอย่างแน่นหนา และไม่มีการรั่วซึมเกิดขึ้น

ลมเป่าไม่หยุด:

- ตรวจสอบว่ามีสิ่งใดอยู่ในอ่างหรือไม่ และเอาออกถ้าจำเป็น
- ตรวจสอบให้แน่ใจว่าเซ็นเซอร์สะอาดและไม่มีสิ่งกีดขวาง ใดๆ
- ตรวจสอบตัวกรองและเปลี่ยน หากจำเป็น
- ตรวจสอบให้แน่ใจว่าได้ยึดท่อเข้ากับฐานของก๊อกน้ำอย่างแน่นหนา และไม่มีการรั่วซึมเกิดขึ้น

ไม่มีลมเป่าออกมา:

- ปิดและเปิดเครื่องใหม่
- ตรวจสอบฟิวส์/เบรกเกอร์ตัดวงจรว่ายังทำงานได้ดี และมีการเชื่อมต่อกับแหล่งจ่ายไฟ
- ตรวจสอบให้แน่ใจว่าเซ็นเซอร์สะอาด
- ตรวจสอบให้แน่ใจว่าได้ยึดท่ออากาศเข้ากับฐานของก๊อกน้ำ อย่างแน่นหนา และไม่มีการรั่วซึมเกิดขึ้น
- ตรวจสอบว่ามี การเชื่อมต่อสายเคเบิลเซ็นเซอร์จากก๊อกน้ำ อย่างแน่นหนาแล้ว

น้ำไหลออกมาจากก๊อกไม่หยุด:

- ตรวจสอบให้แน่ใจว่าเซ็นเซอร์สะอาดและไม่มีสิ่งกีดขวาง ใดๆ

ไม่มีน้ำไหลออกมาจากก๊อก:

- ตรวจสอบให้แน่ใจว่าได้เปิดแหล่งจ่ายไฟและน้ำ พร้อมเปิด วาล์วตัดแยกแล้ว
- ตรวจสอบว่าปากก๊อกน้ำไม่มีสิ่งสกปรก ถอดออกและ ทำความสะอาด/เปลี่ยนใหม่ ถ้าจำเป็น

น้ำที่ไหลออกมาจากก๊อกร้อนหรือเย็นมาก:

- ตรวจสอบวาล์วผสมน้ำว่ามี การกำหนดอุณหภูมิถูกต้อง หรือไม่

ติดต่อฝ่ายบริการลูกค้า Dyson เพื่อขอความช่วยเหลือและ ข้อมูลเพิ่มเติม หรือทางออนไลน์ที่ www.dyson.com

TR

İçindekiler

Önemli Güvenlik Talimatları 279 

Kutu içeriği: 280

Kurulum öncesi kontroller 281

TR

Kurulum

Adım adım 283

Test kurulumu 285

Sorun giderme 285

ÖNEMLİ GÜVENLİK TALİMATLARI

BU TALİMATLARI OKUYUN VE MUHAFAZA EDİN

BU CİHAZI KURMADAN VEYA KULLANMADAN ÖNCE, BU KURULUM KILAVUZUNDAKİ VE KULLANMA KILAVUZUNDAKİ TÜM TALİMATLARI VE UYARI İŞARETLERİNİ DİKKATLİCE OKUYUNUZ.

UYARI

TÜM ELEKTRİK KURULUM VE ONARIM ÇALIŞMALARI (SU VE ELEKTRİK TESİSATI) GEÇERLİ YEREL KURAL VE YÖNETMELİKLERE UYGUN ŞEKİLDE KALİFİYE BİR KİŞİ VEYA DYSON SERVİS MÜHENDİSİ TARAFINDAN GERÇEKLEŞTİRİLMELİDİR.

UYARI

ELEKTRİK ÇARPMA RİSKİ!

HATALI ÇALIŞILMASI HALİNDE ÜNİTENİN İÇ PARÇALARI ZARARA NEDEN OLABİLİR VEYA KALICI OLARAK HASAR GÖREBİLİR.

YANGIN, ELEKTRİK ÇARPMA VEYA YARALANMA RİSKİNİ AZALTMAK İÇİN BU ÜNİTE TOPRAKLANMALIDIR.

Herhangi bir kurulum çalışmasına başlamadan önce aşağıdakileri doğrulamanız gerekir.

- Elektrik beslemesinin ürün bilgi plakasında gösterilen değere karşılık geldiğini kontrol edin.
- Yangın, elektrik çarpması veya yaralanma riskini azaltmak için bu ünite topraklanmalıdır.

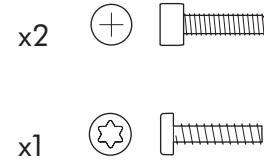
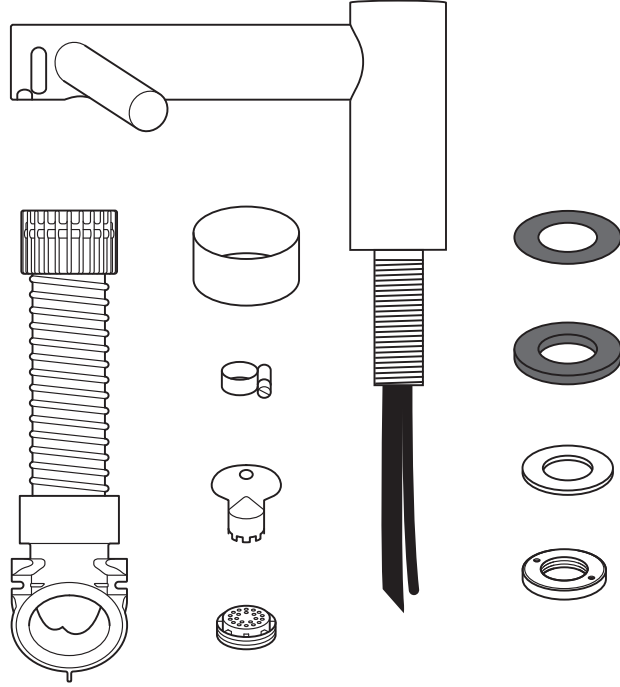
- Elektrik beslemesi bağlantısını yaparken, uygun bir boru ve elektrik bağlantısı kullanın. Borunun ve kabloların arka panodan terminal bloğuna ulaşacak kadar uzun olduklarından emin olun. Katı metal kanal yandan giriş için uygun değildir.

UYARI

Bileşenleri çıkarırken dikkatli olun. Parçalarda kesiklere veya yaralanmanıza neden olabilecek kenarlar/köşeler bulunabilir.

BU ÜNİTENİN ÜZERİNDE VEYA YAKININDA, TEMİZLİK AMACIYLA HİÇBİR JET YIKAMA DONANIMI KULLANMAYIN

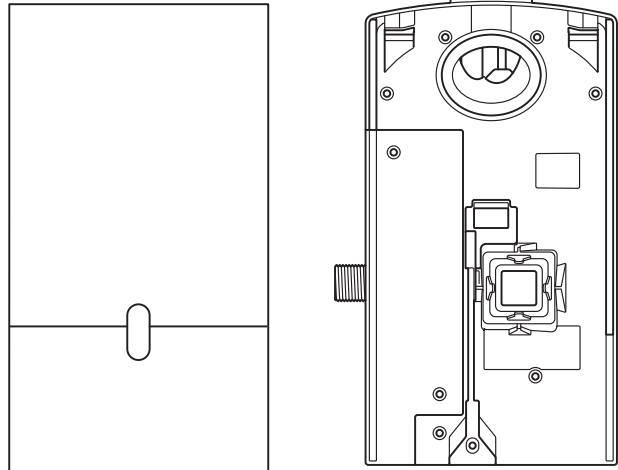
Kutu içeriği:



Gerekli aletler:

- Küçük yıldız tornavida
- 7mm düz ağızlı tornavida
- 2.5mm düz tornavida.
- Torx T15 tornavida.
- Bant mezura ve kurşun kalem
- El matkabı
- Uygun matkap ucu
- Pense / tel sıyrıcı
- Bıçak
- Ayarlı anahtar

TR



Kurulum öncesi kontroller

Şekil A

Kurulum öncesi planlama

Dyson Airblade Wash+Dry el kurutucu, motor ünitesi duvara monte edilecek ve lavabonun altına yerleştirilecek şekilde tasarlanmıştır **Şek. A(i)**.

Garantinizin geçerliliğini etkileyebilecek herhangi bir hasarı önlemek için iç filtre takılması tavsiye edilir.

- Kurulum ve servis işlemleri için yeterince erişim alanı bulunduğundan emin olun, bkz **Şek. A(ii)**.
- Bu ünite sadece bina içindeki, kuru yerler için tasarlanmıştır.
- Uygun montaj için lokal ve global erişebilirlik kurallarını dikkate alın. Kurulumun uygunluğu montajı yapan kişinin sorumluluğundadır. Cihaz kurulumunun tüm binanın kural ve yönetmeliklerine uygun olduğundan emin olun.
- Yerel kablo tesisatı düzenlemelerine uygun şekilde, tüm kutulardan ayırma için bir yöntem sabit kablo tesisatına eklenmelidir.
- Kurulum veya servisten önce elektrik ve su bağlantılarını ayırın.
- Delme/montaj bölgesinin hemen arkasından herhangi bir tesisat (gaz, su, hava), elektrik hattı, kablo veya boru hattı geçmediğinden emin olun.
- Dyson kurulum/onarım sırasında koruyucu kıyafetler, göz koruması ve gerekirse başka koruyucu aksesuarlar kullanılmasını tavsiye eder.
- Bu cihaz kalıcı olarak su şebekesine bağlı kalmak üzere tasarlanmıştır.

Yiyecek hazırlama alanlarında kullanım

Yemek hazırlanan ortamlar için özel bir montaj yapılmalıdır. Bu montajda motor kovası ve hortum tamamen temizlenebilir bir muhafaza içinde saklanmalı veya motor kovası duvarın ters tarafında durmalıdır. Alt kısmın temizlenmesi için (geçerliyse) yeterli mesafe bırakılmalı ve ünite üstü açık gıdalardan veya üstü açık gıdalla temas eden yüzeylerden en az 2,5 metre uzaklıkta olmalıdır.

Kurulumdan önce www.dyson.com adresindeki Lavabo öneri kılavuzuna bakın.

Şekil B

Lavabo özellikleri kılavuzu

Dyson mühendisleri özel olarak tasarlanmış bir test yöntemini kullanarak Dyson Airblade Wash+Dry el kurutucusu ile uyumluluğu değerlendirmek üzere geniş çeşitlilikte lavabolar test etmiştir. Tavsiye edilen lavabolar için lütfen www.dyson.com adresindeki kılavuzumuza bakınız.

Porselen veya fırçalanmış metal lavabolar idealdir. Yüksek derecede cilalı yüzeylere sahip lavabolardan kaçınılmalıdır. örn. yansıtıcı krom. Minimum lavabo boyutları için, bkz **Şekil B**.

Şekil C/D/E

Musluk montajı

Lavabonun üst kısmı ile musluk merkezinin arasında en az 100 mm ve en fazla 155 mm mesafe bulunmalıdır. **Şek. C**.

Bir musluk merkezi ve yan duvar arasında en az 290mm mesafe olmalıdır. Birden çok musluk yan yana monte edildiğinde, musluklar birbirlerinden en az 580mm uzakta olmalıdır. Bu, motor kutusunu monte etmek üzere yeterli alan ve kullanıcılar için omuz mesafesi sağlar. **Şek. D**.

Kapağın aşağı bakan su sensörünü, drenaj deliği gibi yansıtıcı bir yüzeyin üzerine yerleştirmeyin. **Şek. E**.

Şekil F

Sabun ve sabunluğun yerleştirilmesi

En iyi kullanıcı deneyimi için Dyson, jel sabun kullanılmasını tavsiye eder.

Etkinleştirme için kızılötesi algılama alanı, her musluk kolu boyunca uzanmaktadır. Kazara etkinleştirmeyi önlemek için kullanıcının elinin sabunluğa doğru yönü dikkate alınmalıdır.

Sabunluk, kullanıcının kolun yanına erişebilmesi için musluk genişliğinden en az 60 mm dışarıda yer almalıdır.

Bu, sensörlerin etkinleşmemesi için kolların 60 mm üzerine yerleştirilmelidir.

Hareket yönünün algılama alanından geçmemesi için kullanıcının sabuna çapraz olarak ulaşabileceğini unutmayın.

Şekil G/H

Su tahliyesi

Çok yakında yüksek hava hızı ve su olması nedeniyle bir miktar su ve sabunun lavabo ölçülerinin dışına dağılma ihtimali vardır. Bu etkiyi azaltmak için aşağıdaki talimatları izlemenizi öneririz.

Taban Profili

Düz taban profili zayıf tahliye ve yüksek düzeyde sıçramalara neden olur. Boşaltma düzeyini arttırmak için, minimum 60 mm çapında gider deliğini saran alana özel odaklı düz tabana sahip lavabolardan kaçının. **Şek. E**.

Lavabonun gider deliğinin kenarındaki minimum 6° eğim açısı, azaltılmış düzeyde sıçramalar sağlayarak iyi bir tahliye ile sonuçlanır (minimum 60 mm çapta). **Şek. F**.

Şekil I/J/K

Arka ve ön duvara geçme tabanı

Ayrıca arka ve öne geçme tabanı da dikkate alınmalıdır. Arka duvar 90° açığa yakın ve mümkün mertebe bir çap keskinliğinde olmalıdır **Şek. I**. Kavisli geometri daha çok sıçramayı önlemek içindir; ancak arkaya ve öne doğru geçmelerde eğimden kaçınılmalıdır **Şek. J/K**.

Şekil L

Tapa deliği

En büyük açıklığa sahip tapa delikleri tavsiye edilir; ancak sabunlu suyun (sabun köpüğü) boşaltılmasını engellediğinden ızgara veya oluklu tip tapa deliklerinden kaçınılmalıdır. Lavabolardaki tapa deliklerinin arasında tapa kullanmayın.

Şekil M

Su sıcaklık kontrolü

Eğer sıcak ve soğuk su beslemesi bağlıyorsanız bir boşaltma vanası takmanız gereklidir. Soğuk su beslemesine bağlanması durumunda bir ısıtıcı takmanız gerekecektir. Ürüne giden su beslemesi yerel yönetmeliklere uygun bir sıcaklık kontrol cihazı ile donatılmalıdır.

- A= Boşaltma vanası
- B= Sıcak ve soğuk besleme
- C= İstenilen sıcaklık çıkışı
- D= Kapama vanası
- E= Isıtıcı
- F= Soğuk besleme

Ek Bilgi

Kurulum

Üniteyi duvara sabitlerken yapıştırıcı kullanmayın. Elektrik, karışık su beslemesi ve drenaj bağlantılarının daha sonra bağlanmak üzere mevcut olduğundan emin olun. Kurulumdan önce ve servis sırasında beslemeleri kapatmak için güç ve su beslemelerinin uygun yalıtımları mevcut olmalıdır.

Elektrik

Giriş voltajı/Frekans: Nominal değer plakasına bakınız. Uygun şekilde şalter sigortası çıkıntısı veya RCD ile yalıtılmış. Akım 6,6 A. Kablo spesifikasyonu: Çift damarlı PVC + Tek damarlı PVC (toprak) 1,5 mm çapraz kesit alanı. Ürün kurulumu veya onarımı yapılırken elektrikle ilgili yerel düzenlemelere uyulmalıdır. Nominal güç: Nominal değer plakasına bakınız.

Çalışma sıcaklığı aralığı: 0° – 40°C.
Beklemede güç tüketimi:
0,5 W'den az.
Maksimum rakım: 2.000 metre.

Suyla çalışma

Su debisi: 4 l/dak, normal takılı havalandırıcı. 1,9 l/m, ürünle birlikte verilen düşük akış havalandırıcısıyla. Gereken su basıncı: 1-8 bar. Servis için 1/2" BSP izole valf gerekir. Lejyonella bakterisinin üremesi riskini azaltmak için ikincil sıcak su geri dönüşünü mümkün olduğunca karıştırıcı vanasına yakın tutun.

Otomatik Su Boşaltma Sistemi

Ünite, son kullanımdan 24 saat sonra 60 saniye boyunca devreye giren sabit bir otomatik su boşaltma sistemi ile donatılmıştır. Bu sistem ürünün içindeki suyun uzun süre durağan kalmasını önler ve bakteri çoğalmasını azaltmaya yardımcı olur.

Ünitenin daima, bağımsız ve kanalizasyona bağlı işlevsel bir lavabo sistemi üzerine takılı olduğundan emin olun.

Su tedarigi temizliği ve biyolojik büyüme

Bazı ülkelerdeki düzenlemelere veya yönetmeliklere göre sıcaklık kontrollü su tedarik sistemlerinin (Dyson Airblade Wash+Dry el kurutucusunda olduğu gibi), biyolojik büyümeyi en aza indirmek için düzenli olarak temizlenmesi gerekir. Bu düzenlemeleri karşılayabilmeniz için Dyson Airblade Wash+Dry el kurutucusu, hem sıcaklığı 95°C'ye kadar olan suyla hem de %0,45 konsantrasyonda sodyum hipokloritle iç temizliğe dayanacak şekilde tasarlanmış ve test edilmiştir.

Ülkenizde geçerli olan biyolojik büyüme ve su tedarigi temizliği kurallarına ilişkin bilgi almak için özel (pazar) düzenlemelerine ve su tedarigi sistemi tavsiyelerine başvurun.

Dyson Airblade Wash+Dry el kurutucusunun iç temizliğini yaparken lütfen sıcak su veya kimyasalların kullanılmasıyla ilgili güvenlik hususlarını göz önünde bulundurun. Dyson, bu süreçte oluşabilecek yaralanmalardan sorumlu değildir.

Dayanıklılık testleri

Dyson Airblade Wash+Dry el kurutucu, ticari ve halka açık tuvalet ortamında söz konusu olan zorlamalara ve darbelere karşı dayanıklılığından emin olmak için çok sayıda zorlu testten geçirilmiştir.

Adım adım

Şekil 1

Konumlandırma

Musluğu lavabonun üzerine getirip ortalayın **Şek. 1.**

Gerektiği takdirde çalışma yüzeyine 35 mm çapında bir delik açın.

Şekil 2

Musluk montajı

1mm olan kauçuk keçeyi musluk gövdesine geçirin **Şek 2a.**

Musluk gövdesini ve takılı olan su borusu ile iletişim kablosunu, çalışma alanındaki delikten geçirin. 1 mm olan kauçuk keçenin musluğun altına iyice ve düz bir şekilde oturduğundan emin olun.

Musluğun lavabonun üzerinde doğru şekilde takıldığından emin olun.

3,5 mm olan kauçuk keçeyi musluk gövdesine geçirin.

Vidaları piriç kilitleme halkasına geçirin ve yerlerine oturtacak şekilde hafifçe sıkın.

Metal pulu musluk gövdesine geçirin.

Metal pul ve piriç kilitleme somunu arasında 5mm veya daha az bir boşluk bırakarak piriç kilitleme somununu musluk gövdesine vidalayın.

Vidaları piriç kilitleme somunu ile metal pula elinizle sabitleyin.

A= 1mm kauçuk keçe
B= Musluk gövdesi
C= Su borusu
D= Sensör kablosu
E= 3,5mm keçe
F= Metal pul
G= Piriç kilitleme somunu
H= 2 x vida

Şekil 3

Hortumun Takılması

Gri hortumu su borusundan ve sensör kablosundan yukarı doğru geçirin **Şek. 3a.**

Şek. 3b'de gösterildiği gibi su borusunu hortum kanalından uygun çıkış deliğinden geçirin.

Bir pense kullanarak, su borusunu sürekli beyaz çizginin bulunduğu konuma kadar nazikçe çekin **Şek. 3c.**

Su borusu üzerindeki halka contanın hortum borusuna tam olarak oturduğundan ve hava sızdırmadığından emin olun **Şek. 3b.**

Sensör kablosunu sağ çıkış deliğinden yavaşça geçirin **Şek. 3b.** Elektrik bağlantılarına zarar verebileceği için bu işlemde pense KULLANMAYIN **Şek. 3c.** Kablo üzerindeki halka contanın hortum kanalına tam olarak oturduğundan ve hava sızdırmadığından emin olun **Şek. 3d.** Tespit elemanının yanı sıra silikon yağ da kullanılabilir.

Üst hortum manşonunu musluk gövdesinde tamamen sıkın **Şek. 3e.**

A= Gri hortum
B= Su borusu
C= Sensör kablosu

Şekil 4

Arka panelin takılması için hazırlık

Şek. 4a'da gösterildiği gibi alttaki kırmızı açma mandalına basarak ve kaldırarak motor kutusunu arka plakadan sökün. Motor kutusunu gerekene kadar güvenle saklayın.

Su borusu kapağını ve elektrik kapağını Torx T15 tornavida kullanarak arka plakadan çıkarın **Şek. 4b ve 4c.** Sabitleme elemanlarıyla birlikte bunları tekrar gerekene kadar saklayın.

Şekil 5

Arka plakanın ve hortumun takılması

Arka pano şu üç yöntemden biri kullanılarak yerleştirilebilir: dikey veya sola ya da sağa 90° yatay. Zeminle aradaki mesafe minimum 100 mm olmalıdır bkz **Şek. 5a.**

Arka panonun, hortumun kolayca bağlanabileceği şekilde yerleştirildiğinden emin olun.

Motoru hortum aşağıya bakacak şekilde baş aşağı ya da Musluğun üzerine YERLEŞTİRMEYİN bkz **Şek. 5b.**

Arka panonun duvarda yerleştirileceği yeri işaretleyin.

Kablo girişi

Kablo girişi ünitenin tabanından veya arka kablo giriş noktası yoluyla duvardan ünitenin arkasına doğrudan yapılabilir. Başlamadan önce hangisini kullanacağınıza karar verin.

Tabandan kablo girişi seçeneği seçiliyorsa, arka plakanın tabanındaki önceden işaretlenmiş kırma panelini dikkatli şekilde ayırmak için pense kullanın. Çıkış kısmının kenarlarını çıkıntı kalmayacak şekilde düzleştirin **Şek. 5c.**

Su girişi

Su bağlantısı, arka panonun sol tarafından yapılır. Su bağlantısı arka panonun içinde döndürülemez **Şek. 5d.**

Şekil 6

Arka panonun montajı

Kablo girişini duvardan arka panoya doğrudan yapmayı seçerseniz, arka panoyu duvara sabitlemeden önce elektrik kablosunu çekin.

Uygun bağlantı elemanlarını kullanarak arka panoyu duvara sabitleyin **Şek. 6.**

Havşa başlı civatalar kullanmayın.

Şekil 7

Sensör kablosunun bağlanması

Gri hortumu arka panoya sabitleyin.

Şek. 7'de gösterildiği gibi hortumdaki sensör kablosunu arka panoda yer alan konektöre bağlayın. Konektörün montaj yönünü kontrol edin, iki tırnak hizalanmış olmalıdır. Kablonun arka panoya doğru şekilde yerleştirildiğinden emin olun.

Şekil 8

Su borusunun bağlanması

Şek. 8a'da gösterildiği gibi su tüpünü beyaz noktalı çizginin olduğu yerden kesin.

Hortum klipsini (birlikte verilir) su borusuna geçirin **Şek. 8b.**

2 x yıldız vidayı sökün ve solenoidi arka panodan çıkarın **Şek. 8b.**

Su hortumunu solenoide bağlayın **Şek. 8c.**

Solenoidi yeniden arka panele geçirin ve 2 x vidayı bağlayın **Şek. 8d.**

Hortum klipsini sıkın ve solenoid kablosunun tutma kanalı içinde doğru şekilde yerleştirildiğinden emin olun.

Şekil 9

Elektrik beslemesinin bağlanması

Onaylanmış esnek veya sabit boruları ve elektrik bağlantısı elemanlarını kullanarak elektrik kaynağını arka plakaya döşeyin. Güç kablosunun, arka plakaya monte edilmiş terminal bloğuna bağlantı sağlayacak kadar uzun olduğundan emin olun.

Kabloyu arka plakaya döşeyin ve kablo rakorunu sıkın.

Şek. 9'de gösterildiği gibi kabloyu uygun bir uzunluğa sıyırın ve elektrik taşıyan ve nötr telleri ilgili terminal bloklarına sabitleyin. Devam etmeden önce kabloların doğru konumda olduğundan emin olun.

Şekil 10

Elektrik kapağını geri takın

Elektrik bölmesi kapağını takın ve kablo sıkışmamasına dikkat ederek verilen 6 x bağlantı elemanını kullanarak sabitleyin.

Şekil 11

Karışık su beslemesinin bağlanması

Su kaynağını arka plakaya bağlamadan önce tortu, bakır dolgu vb. parçalardan tamamen temizlendiğine emin olun. Aksi takdirde solenoid valfe hasar verebilir ve sonuç olarak tam olarak kapanmaz ve musluğun damlamasına neden olabilir.

Yalıtımlı, karışık su beslemesini arka panoya bağlayın.

Suyu açın.

Ana su beslemesi girişinde ve musluktaki su borusu bağlantısında sızıntı olup olmadığını kontrol edin.

Ayrıca solenoid bağlantısında kaçak olup olmadığını kontrol edin.

Şekil 12

Güçü açma

Makineyi çalıştırmak için açın.

KALİBRASYON ÇEVİRİMİ: Kurulum tamamlandıktan sonra musluk 30 saniyelik kalibrasyon döngüsüne girer.

Musluktaki sensörün altına elinizi uzatarak su akışını etkinleştirin. **Şek 12a.**

Sızıntıları kontrol edin **Şek 11.**

Verilen iki bağlantı parçasını kullanarak su borusunu tekrar arka plakaya sabitleyin. **Şek 12b.**

Şekil 13

Motor kutusunun takılması

Motoru elektrikli bölme kapağının üst kısmına geçirin. Kovayı gösterilen şekilde aşağı çevirin ve kovanın tıklayarak yerine oturmasını sağlayın. Kovayı iterek sabitleyin. **Şek. 13a.**

OPSİYONEL: Kırmızı serbest bırakma düğmesini sabitlemek ve motor kovanının yanlışlıkla çıkmasını engellemek için bir vida verilir.

Üniteyi test ederek doğru şekilde çalıştığını doğrulayın.

Motor kutusunu arka panoya sabitleme (isteğe bağlıdır).

Filtreyi çıkarmak için, gösterildiği gibi filtre üzerindeki tırnağı bir tornavidayla nazikçe açın **Şek. 13b.**

Üniteyle birlikte verilen güvenlik vidasını kullanarak, motor kutusunu arka panoya sabitleyin **Şek.13c.**

Filtreyi yerine geçtiğinden emin olacak şekilde yeniden bağlayın **Şek 13d.**

Test kurulumu

El kurutucunun normal çalışıp çalışmadığını test edin:

- Ellerinizi musluğun tam altına yerleştirin. Ellerinizi bu şekilde kaldığı sürece su otomatik olarak akacaktır.
- Ellerinizi musluğun merkezinin her iki tarafından birine getirerek el kurutucuyu aktif hale getirin.
- Ellerinizi havada yavaşça ileri ve geri hareket ettirin. Ellerinizi döndürerek ellerinizin üstünün ve avuçlarınızın hava akışına maruz kalmasını sağlayın.

Sorun giderme

El kurutma makinesi çalışmıyor:

- Sigorta/devre kesicinin çalışıp çalışmadığını, güç ve su beslemesinin bağlı olup olmadığını kontrol edin.
- Temizlik başlığının sökölü ve sensörlerin temiz ve tıkanmamış olduğuna emin olun.
- Üniteyi kapatıp açın.

El kurutma makinesi kendi kendine düzensiz şekilde açılıp kapanıyor:

- Üniteyi kapatıp açın.
- Lavaboda tıpa olmadığından emin olun ve varsa çıkartın.
- Sensörlerin temiz olup olmadığını kontrol edin.
- Musluktan gelen sensör kablosunun sıkıca bağlanmış olduğuna emin olun.

El kurutma makinesi bazen kullanım sırasında kapanıyor:

- Üniteyi kapatıp açın.
- Sensörlerin temiz olup olmadığını kontrol edin.
- Hava girişlerinin temiz ve tozdan temizlenmiş olduğuna emin olun. Hava girişleri tozlu ise, tozu temizleyin.
- Hava girişlerinin engellenmediğine ve makinenin alt kısmında yeterli boşluk olduğuna emin olun.

Kurutma süresinin artması:

- Hava girişlerinde toz olup olmadığını kontrol edin ve temizleyin.
- Filtreyi kontrol edin ve gerekirse değiştirin.
- Hortumun musluk kaidesine sıkıca bağlı olduğuna ve herhangi bir kaçak olmadığına emin olun.

Hava akışı normalden daha sıcak:

- Hava girişlerinde toz olup olmadığını kontrol edin ve temizleyin.
- Filtreyi kontrol edin ve gerekirse değiştirin.
- Hortumun musluk kaidesine sıkıca bağlı olduğuna ve herhangi bir kaçak olmadığına emin olun.

Hava sürekli çalışıyor:

- Lavaboda herhangi bir nesne olup olmadığını kontrol edin ve gerekirse kaldırın.
- Sensörlerin temiz olduğuna ve herhangi bir şekilde engellenmediğine emin olun.
- Filtreyi kontrol edin ve gerekirse değiştirin.
- Hortumun musluk kaidesine sıkıca bağlı olduğuna ve herhangi bir kaçak olmadığına emin olun.

Hava akışı yok:

- Üniteyi kapatıp açın.
- Sigorta/devre kesicinin çalışıp çalışmadığını ve güç beslemesinin bağlı olup olmadığını kontrol edin.
- Sensörlerin temiz olup olmadığını kontrol edin.
- Hava hortumunun musluk kaidesine sıkıca bağlı olduğuna ve herhangi bir kaçak olmadığına emin olun.
- Musluktan gelen sensör kablosunun sıkıca bağlanmış olduğuna emin olun.

Su musluktan sürekli olarak akıyor:

- Sensörlerin temiz olduğuna ve herhangi bir şekilde engellenmediğine emin olun.

Musluktan su gelmiyor:

- Güç ve su beslemelerinin açık ve kapama vanasının açık olduğuna emin olun.
- Havalandırma aygıtının temiz olduğuna emin olun ve gerekirse temizleyin/değiştirin.

Musluktan gelen su aşırı sıcak veya soğuk.

- Karıştırma valfinin istenen sıcaklığa ayarlı olup olmadığını kontrol edin.
- Daha fazla destek ve bilgi almak için Dyson Müşteri Hizmetleri'ne başvurun veya çevrimiçi olarak www.dyson.com.tr adresini ziyaret edin.

TW/HK/MO

內容

重要的安全說明

287 

包裝箱內容

288

安裝前檢查

289

TW
HK
MO

安裝

詳細步驟

291

測試安裝

293

問題解決

293

重要的安全說明

請仔細閱讀並妥善保管說明手冊

在安裝或使用本裝置前，請先閱讀本安裝指南和用戶手冊的所有指示及警告提示。

警告

所有的安裝與維修工作 (配管及電線佈線) 應由合格人員或戴森服務工程師按目前當地法規或條例的規定執行。

警告

有電擊的危險！

外殼若經移除或不恰當地處理，則裝置的內部組件可能會造成傷害或是永久受損。

此裝置必須接地，以降低火災、電擊或人身傷害風險。

在開始任何安裝工作前，您必須確認以下事項。

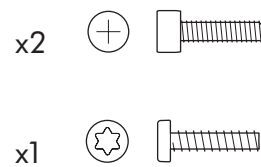
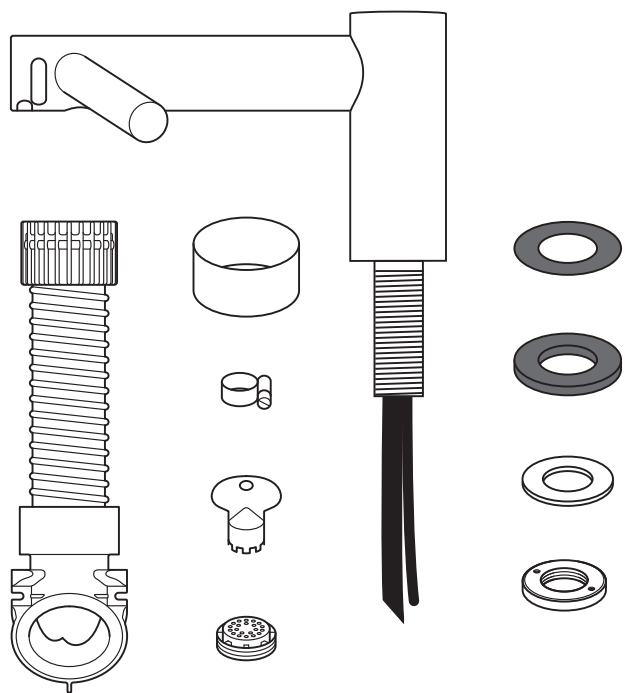
- 檢查電力供應是否與標牌上顯示的內容相符。
- 全極斷開的方式必須包含在固定電線配置中，以符合當地電線配置法規。
- 請使用適合的導管與電氣配件來連接電力供應。請確定導管與電線的長度足夠連接至背板和接線端子。堅固的金屬導管不適用於側面進入的電線。

警告

拆封元件時，請務必小心。外殼可能有尖銳的邊緣/角落，會造成割傷或受傷。

請勿使用噴洗設備清潔產品本身或附近。

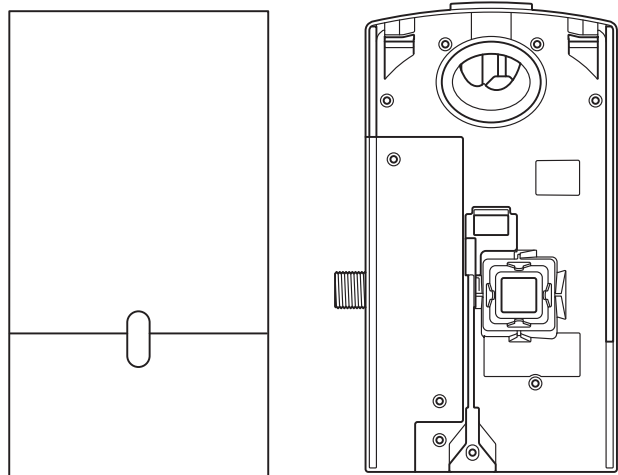
包裝箱內容



所需工具：

- 小型十字螺絲起子
- 7 mm 一字螺絲起子
- 2.5mm 一字螺絲起子
- 梅花穴 T15 螺絲起子
- 捲尺與鉛筆
- 電鑽
- 合適的鑽頭
- 鉗子 / 剝線鉗
- 小刀
- 可調整的扳手

TW
HK
MO



安裝前檢查

圖 A

安裝前規劃

Dyson Airblade Wash+Dry 乾手機的設計，是馬達裝置安裝於牆壁，並位於水槽下方，見圖 A (i)。

建議裝配內置濾網，以免損及保固權益。

- 讓安裝和維修有足夠的存取空間，見圖 A(ii)。
- 裝置的設計為僅可用於乾燥、室內的位置。
- 請查詢當地以及該國的無障礙法規與條例，以瞭解相關的安裝準則。符合性與合規性為安裝者的責任。請確定使用提供的導管、導管蓋以及金屬外殼來安裝本產品。
- 全極斷開的方式必須包含在固定電線配置中，以符合當地電線配置法規。
- 在進行安裝或維修前，請隔離電源和供水。
- 確保鑽孔/安裝位置的牆內並無喉管（煤氣、水管、氣管）或電纜、電線或管道系統。
- 戴森建議在進行安裝或維修時，應視乎需要穿著保護衣物、使用護眼用具及物料。
- 本產品是用以永遠連接至水總管。

在食物準備區使用

對於食品準備環境，要求採取特殊安裝方式，其中必須將馬達箱與軟管完全封閉在可清潔的外殼之內，或將馬達箱置於牆壁反側，以提供充分的間隙便於清潔底側（若適用），並使得裝置與未覆蓋食品或未覆蓋的食品接觸面距離至少 2.5 公尺。

安裝前請先參閱 www.dyson.com 的水槽建議指南。

圖 B

水槽規格準則

戴森工程師使用特別設計的測試方法，測試了廣泛的水槽，以評估水槽與 Dyson Airblade Wash+Dry 乾手機的相容性。如需建議水槽的詳細資訊，請使用我們位於 www.dyson.com 的指南。

瓷器或是霧面的金屬水槽最理想。應該避免具有磨光表面的水槽，例如反射的銘。如需最低水槽尺寸，請參閱圖 B。

圖 C/D/E

水龍頭安裝

從水槽頂端至水龍頭中央，必須有至少 100 mm、至多 155 mm 的距離。圖 C。

在水龍頭中央與側邊牆之間必須至少有 290 mm 的距離。當有多個水龍頭併排安裝時，每個水龍頭中央應該至少距離 580 mm。安裝馬達箱必須有足夠的空間以及讓使用者有足夠的空間。圖 D。

請勿將面向下的水龍頭水感應器放置在反射表面（例如排水孔）的上方。圖 E。

圖 F

肥皂與給皂機安放

為了獲得最佳的使用者經驗，戴森建議使用液體肥皂。

用於氣流啟動的紅外線感應區會延伸到每個水龍頭的分支。為了防止意外啟動，請務必考量使用者雙手接觸皂機的路線。

給皂機應該至少位於水龍頭寬度之外 60 mm 的位置，因此使用者可觸及分支側邊的周圍。它也應位於分支上方至少 60 mm 的位置，因此不會啟動感應器。

請注意使用者可能會以對角線的方式取得肥皂，因此請確保這個路徑不會經過感應區。

圖 G/H

排水

由於附近高速流動的空氣和水，有可能會使水滴和肥皂泡沫濺到水池外。為了降低影響，我們建議遵循下列指示安裝。

底部構造

扁平的底座構造會導致排水問題，增加濺出的可能。若要改善排水狀況，請避免使用含平底且特別集中於排水孔周遭的鄰近區域（最少 60 mm 的半徑）之水槽。圖 G。

從水槽排水孔邊緣開始最少 6° 的斜坡角度，將可使排水狀況良好，從而降低濺出的可能（最少 60 mm 的半徑）。圖 H。

圖 I/J/K

基座位置由後牆到前牆的變化

應該同時考慮到基座位置由後牆到前牆的轉變。後牆應該接近 90 度，半徑越窄越好（圖 I）。幾何形的曲線易於增加濺出的機會（圖 J），所以應該避免傾斜的後牆及前牆（圖 K）。

圖 L

塞孔

建議使用帶有開口的塞孔，同時避免使用柵式或孔式塞孔，因為肥皂泡沫不容易通過，請不要在洗手台的塞孔中使用塞子。

圖 M

水溫度控制

如果您要連接熱水與冷水給水器，將需要安裝混合閥。如果連接至僅提供冷水的給水器，您將需要安裝加熱器。

本產品的給水必須根據當地法規安裝溫度控制裝置。

- A= 混合閥
- B= 冷熱給水器
- C= 所需送出溫度
- D= 隔離閥
- E= 加熱器
- F= 加入冷水

其他資訊

安裝

將裝置固定至牆壁時，請勿使用密封劑。
請確定已提供電力以及混合式給水和排水管路，以便連接。供電及給水必須作好適當隔離，以便於安裝及維修之前將供電及給水關閉。

電氣

輸入電壓/頻率：請參閱額定值標示。
適當地由開關保險絲支脈或是 RCD 隔離。
電流 6.6 A。
纜線規格：雙蕊 PVC + 單蕊 PVC (接地)
1.5 mm 截面區域。
安裝或是維修本產品時，必須遵循當地的電氣法規。
額定功率：請參閱額定值標示。
操作溫度範圍：0° – 40° C。
待機功耗：
少於 0.5 瓦。
最大高度：2,000 公尺。

水操作

水流速率：1.9 l/min，預裝低流量起泡器裝置。4 l/m，本產品隨附起泡器裝置。
需要水壓：1-8 bar。維修需要 1 2” BSP 隔離閥門。

二次熱水回流管盡可能接近混合閥，以降低退伍軍人桿菌滋生風險。

自動例行沖洗

本設備配備有固定自動沖水裝置，於最後一次使用後 24 小時啟動 60 秒鐘。如此有助於降低產品內部發生死水壅塞與細菌滋生等現象。

請確保本設備始終安裝於功能運作良好且具有通暢排水管線的洗手台上方。

給水清潔與生物繁殖

在某些國家，某些法規或是準則要求溫度控制的給水系統 (例如供應給 Dyson Airblade Wash+Dry 乾手機)，必須固定清潔，使任何生物繁殖的機率降到最低。

為了符合這些法規，已使 Dyson Airblade Wash+Dry 乾手機的設計與測試，可以承受使用高達 95° C 的熱水以及 0.45% 濃度的次氯酸鈉。

如需關於您國家給水清潔的清潔制度與生物繁殖的資訊，請參閱特定 (市場) 法規與給水系統建議。

執行 Dyson Airblade Wash+Dry 乾手機的內部清潔時，請在使用熱水或是化學劑時，注意任何安全考量。Dyson 對於這個程序所造成的任何傷害，概不負責。

耐用測試

Dyson Airblade Wash+Dry 乾手機已經過嚴格的耐用測試，以確保它可以承受一個商業與公共廁所環境典型且可觀的力量與影響。

詳細步驟

圖 1

位置

將水龍頭放置在水槽的中間上方，見圖 1。

如有需要，在工作表面切割一個直徑 35 mm 的孔洞。

圖 2

水龍頭安裝

將 1mm 橡膠密封滑至龍頭桿，見圖 2a。

送入龍頭桿以及連接水管和通訊纜線，並且穿過工作表面的小孔。確保 1mm 橡膠封條平均且平坦地位於龍頭之下。

確保水槽上方的龍頭位於正確位置。

將 3.5mm 橡膠密封滑至龍頭桿。

將螺絲置入黃銅鎖定環，略微鎖上，以固定就位。

將金屬墊圈滑至龍頭桿。

將黃銅鎖定螺母旋套到龍頭桿，同時在黃銅墊圈與黃銅鎖緊螺母之間留出一個小於或等於 5mm 的間距。

用螺絲將黃銅鎖定螺母旋入金屬墊圈，直到用手旋緊為止。

A= 1mm 橡膠封條
B= 龍頭桿
C= 水管
D= 感應器纜線
E= 3.5mm 封條
F= 金屬墊圈
G= 黃銅鎖定螺母
H= 2 枚螺絲

圖 3

軟管安裝

將灰色軟管滑動至水管以及感應器纜線的上方，如圖 3a 所示。

如圖 3b 所示，將水管送至軟管中左出口孔。

用鉗子輕輕地將水管拉至實心白線的最遠處，參見圖 3c。

請確定水管上的扣環與軟管完全密合，以便維持密閉狀態，參見圖 3b。

如圖 3b 所示，透過右出口孔置入感應器纜線，一邊送入、一邊輕拉。參見圖 3c，請勿使用鉗子，因為這樣可能會損壞電氣連線。請確定纜線上的扣環與軟管完全密合，以便維持密閉狀態，參見圖 3d。可使用聚矽氧潤滑脂輔助安裝。

如圖 3e 所示，將上方軟管環旋緊至龍頭桿，因此需要用手擰緊。

A= 灰色軟管
B= 水管
C= 感應器纜線

圖 4

安裝背板的準備工作

如圖 4a 所示，透過按下位於底部的紅色釋放門，然後抬起，以從背板取下馬達箱。妥善保存馬達箱以利備用。

如圖 4b 與 4c 所示，使用梅花穴 T15 螺絲起子從背板取下水管蓋與電箱蓋。妥善保存它們及其固定件以利備用。

圖 5

安裝背板和軟管

背板的放置方式可以有三種：垂直，或是 90° 水平向左或向右。與地板的間隙至少應該保持 100mm，參見圖 5a。

確保背板的位置能夠輕鬆接上軟管。

勿將馬達倒置，造成軟管朝下，或位於龍頭上方，參見圖 5b。

在牆壁上標示背板的位置。

纜線進入

纜線進入可以從底部或從牆壁，透過後方的纜線進入點直接進入裝置後方。在開始前請先決定好。

如果選擇穿過底部的纜線進入選項，請使用鉗子小心地將背板底部一個預先標記的接線面板夾出。用銼刀將接線面的邊緣磨得更加平滑，見圖 5c。

水的送入

接水位置是在背板的左手邊。水管連接件不可在背板內旋轉，參見圖 5d。

圖 6

背板安裝

如果纜線會直接進入牆壁的背板中，在將背板固定至牆壁上之前，請將電源線拉出。

使用適當配件將背板固定至牆壁，如圖 6 所示。

請勿使用埋頭螺絲。

圖 7

連接感應器纜線

將灰色軟管夾入背板。

如圖 7 所示，將軟管中的感應器纜線插入背板中的接頭。檢查接頭的方向，兩個突耳必須對齊。請確定纜線在背板中的佈線正確。

圖 8

接上水管

如圖 8a 所示，將水管裁剪至白色虛線的大小。

將軟管夾（已提供）滑移至水管上，參見圖 8b。

取下 2 個十字螺絲，並將背板的電磁閥自夾具鬆開，參見圖 8b。

如圖 8c 所示，將水管連接至電磁閥。

如圖 8d 所示，將螺線管從夾具固定回背板，鎖上 2 個螺絲。

鎖緊軟管夾，確定電磁閥線在固定通道中的位置正確。

圖 9

連接電源管線

請使用核准的可彎曲或堅固導管與電氣配件，將電力供應佈線至背板。請確保纜線的長度足以連接至背板上安裝的接線端子。

將纜線佈線至背板，並鎖緊纜線封套。

將纜線剝到合適的長度，並將火線和中性線固定到相應的接線端子，如圖 9 所示。請確保纜線放置正確再繼續安裝。

圖 10

重新組裝電氣蓋

使用 6 個隨附的固定件來固定電箱蓋，確保電線沒有打結。

圖 11

連接混合式給水

確保在連接至背板之前，已徹底沖掉供水管中的碎片、銅屑等雜物。否則可能會損壞電磁閥，導致它無法閉合，造成龍頭滴水。

將隔離的混合式給水連接至背板。

打開水源。

檢查主要供水入口以及水管與龍頭的連接是否有漏水的情況。

並檢查電磁閥接頭是否有滲漏。

圖 12

開啟電源

開啟機器的電源。

校準循環：在安裝後，水龍頭會經歷 30 秒的校準循環。

將手放在水龍頭的感應器底下以啟動水流 圖 12a。

如圖 11 所示檢查滲漏情況。

使用 2 個原裝螺絲將水管蓋安裝在背板上 圖 12b。

圖 13

組裝馬達箱

將馬達鉤住電氣蓋的頂端。如圖所示，將它向下搖晃以卡入定位。牢固地推入 (圖 13a)。

可選用：隨附螺絲一枚，可用以固定紅色釋放鈕，同時避免非必要地取下馬達箱。

測試裝置以了解操作是否正常。

將馬達箱固定至背板 (選項)。

先取下濾網，請使用螺絲起子小心地將濾網上的突耳放開，如圖 13b 所示。

使用內附的緊固螺絲將馬達馬達箱固定至背板 圖 13c。

重新連接濾網，確保卡入定位 圖 13d。

測試安裝

測試乾手機是否能正常操作：

- 將您的雙手放置在龍頭中央的下方，只要手持續放在該位置，水會自動不斷流出。
- 將手放在水龍頭中央的任何一側，可啟動乾手機。
- 緩慢地在氣流中前後移動雙手。將雙手翻轉過來，讓手心 and 手背都能吹到氣流。

問題解決

乾手機無法啟動：

- 檢查保險絲/斷路器是否正常工作，以及電源及水供應是否已經連接。
- 請確定清潔蓋已經移除，同時感應器已清潔而且沒有阻塞。
- 關閉裝置電源後再重新開啟。

乾手機不規則地啟動及關閉：

- 關閉裝置電源後再重新開啟。
- 確認水槽中沒有塞子，如有則取出。
- 確定感測器是乾淨的。
- 檢查感應器纜線是否確實與水龍頭連接。

乾手機有時會在使用中停止：

- 關閉裝置電源後再重新開啟。
- 確定感測器是乾淨的。
- 檢查入氣口是乾淨並且沒有灰塵的。如果入氣口有灰塵，只要去除灰塵即可。
- 請確定入氣口沒有阻塞而且有足夠的間隙。

吹乾的時間延長：

- 檢查進氣口是否有灰塵並且去除。
- 檢查濾網並視乎需要更換。
- 請確定軟管已確實連接至水龍頭的底部，而且沒有洩漏的情況。

氣流的溫度比平常還熱：

- 檢查進氣口是否有灰塵並且去除。
- 檢查濾網並視乎需要更換。
- 請確定軟管已確實連接至水龍頭的底部，而且沒有洩漏的情況。

氣流持續吹出：

- 檢查水槽中是否有任何物件，並視乎需要移除。
- 請確定感應器是乾淨的，而且沒有任何障礙物。
- 檢查濾網並視乎需要更換。
- 請確定軟管已確實連接至水龍頭的底部，而且沒有洩漏的情況。

沒有氣流吹出：

- 關閉裝置電源後再重新開啟。
- 檢查保險絲/斷路器是否正常工作，並且電源已經連接。
- 確定感測器是乾淨的。
- 請確定軟管已確實連接至龍頭的底部，而且沒有洩漏的情況。
- 檢查感應器纜線是否確實與水龍頭連接。

從水龍頭持續不斷冒出水來：

- 請確定感應器是乾淨的，而且沒有任何障礙物。

水龍頭沒有水流出：

- 請確定已開啟供電與供水，同時已經開啟隔離閥。
- 請確定起泡器沒有任何碎屑存在，若有需要，請去除並清潔/更換。

從水龍頭冒出的水過熱或過冷：

- 檢查混合閥是否設定成所需的溫度。
- 如需進一步支援及資訊，請聯繫 Dyson 客服部，或上網瀏覽 www.dyson.com

UA

Зміст

Важливі інструкції з безпеки 295 ⚠

Комплект постачання 296

Перевірки перед установленням 297

Установлення

Покрокові інструкції 299

Тестове встановлення 301

Пошук та усунення несправностей 301

ВАЖЛИВІ ІНСТРУКЦІЇ З БЕЗПЕКИ

ПРОЧИТАЙТЕ ТА ЗБЕРЕЖІТЬ ЦІ ІНСТРУКЦІЇ

ПЕРЕД УСТАНОВЛЕННЯМ І ВИКОРИСТАННЯМ ЦЬОГО ПРИЛАДУ ПРОЧИТАЙТЕ ВСІ ІНСТРУКЦІЇ ТА ОЗНАЙОМТЕСЯ З УСІМА ПОПЕРЕДЖУВАЛЬНИМИ ПОЗНАЧКАМИ, НАВЕДЕНИМИ В ЦЬОМУ ПОСІБНИКУ ІЗ ВСТАНОВЛЕННЯ ТА ПОСІБНИКУ ВЛАСНИКА.

ПОПЕРЕДЖЕННЯ

УСІ РОБОТИ ЗІ ВСТАНОВЛЕННЯ ТА РЕМОНТУ (СЛЮСАРНІ ТА ЕЛЕКТРИЧНІ) МАЮТЬ ВИКОНУВАТИСЯ КВАЛІФІКОВАНИМ СПЕЦІАЛІСТОМ АБО ІНЖЕНЕРОМ З ОБСЛУГОВУВАННЯ КОМПАНІЇ DYSON ВІДПОВІДНО ДО ЧИННИХ МІСЦЕВИХ НОРМ І ПРАВИЛ.

ПОПЕРЕДЖЕННЯ

РИЗИК УРАЖЕННЯ ЕЛЕКТРИЧНИМ СТРУМОМ!

ЗНЯТТЯ КОРПУСУ АБО НЕНАЛЕЖНЕ ПОВОДЖЕННЯ З ВНУТРІШНІМИ ДЕТАЛЯМИ ПРИСТРОЮ МОЖЕ ПРИЗВЕСТИ ДО ЇХ НЕВИПРАВНОГО ПОШКОДЖЕННЯ ЧИ ЗАВДАТИ ІНШОЇ ШКОДИ.

ЩОБ ЗМЕНШИТИ РИЗИК ВИНИКНЕННЯ ПОЖЕЖІ, УРАЖЕННЯ ЕЛЕКТРИЧНИМ СТРУМОМ АБО ОТРИМАННЯ ТІЛЕСНИХ УШКОДЖЕНЬ, ПРИЛАД НЕОБХІДНО ЗАЗЕМЛИТИ.

Перед початком будь-яких робіт із встановлення необхідно виконати наведені нижче перевірки.

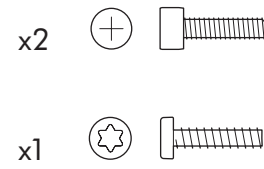
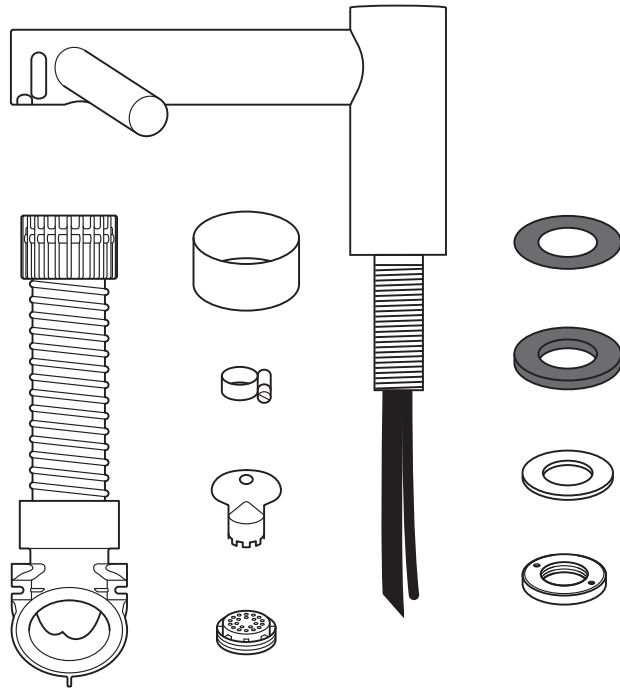
- Переконайтеся, що напруга в мережі відповідає напрузі, указаній на паспортній табличці.
- Щоб зменшити ризик виникнення пожежі, ураження електричним струмом або отримання тілесних ушкоджень, прилад необхідно заземлити.
- Підключайте електроживлення за допомогою відповідних кабелепроводу та електроарматури. Переконайтеся, що кабелепровід і кабелі мають достатню довжину для підключення до заднього щитка та розподільної коробки. Жорсткий металевий кабелепровід не підходить для підведення кабелю живлення збоку.

ПОПЕРЕДЖЕННЯ

Будьте обережні під час розпакування компонентів. Вони можуть мати гострі краї або кути, якими можна порізатися чи поранитися.

ДЛЯ ОЧИЩЕННЯ ПРИСТРОЮ АБО ПОВЕРХОНЬ ПОБЛИЗУ НЬОГО НЕ ВИКОРИСТОВУЙТЕ АПАРАТИ, ЯКІ ПОДАЮТЬ СТРУМІНЬ ВОДИ ПІД ТИСКОМ

Комплект постачання



Необхідні інструменти:

Маленька викрутка Phillips

Плоска викрутка під прямий шліц 7 мм

Плоска викрутка під прямий шліц 2,5 мм

Викрутка під шліц Torx T15

Рулетка й олівець

Дриль

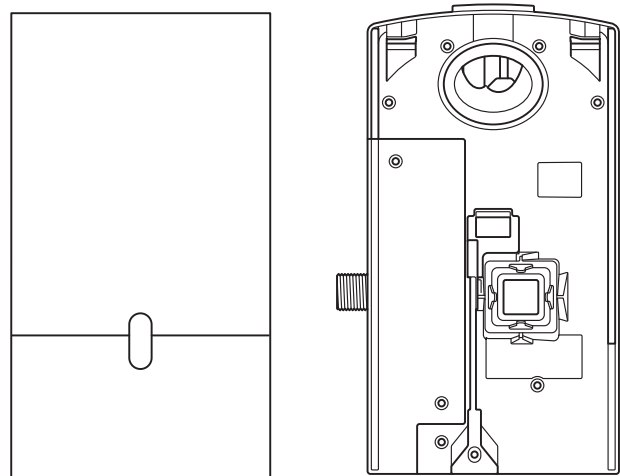
Відповідне свердло

Плоскогубці/інструмент для зачищення проводів

Ніж

Розсувний ключ

UA



Перевірки перед установленням

Рис. А

Планування робіт перед установленням
Сушарку для рук Dyson Airblade Wash+Dry спроектовано так, що блок електродвигуна встановлюється на стіні й розміщується під раковину (рис. А(i)).

Рекомендовано оснащувати вбудованим фільтром, щоб уникнути пошкоджень, які можуть вплинути на гарантійні зобов'язання виробника.

- Залиште достатній простір для встановлення та обслуговування (дивіться рис. А(ii)).
- Прилад розрахований на використання тільки в сухому середовищі всередині приміщення.
- Див. відповідні інструкції зі встановлення в місцевих і державних положеннях і нормах щодо забезпечення доступності для користувачів з особливими потребами. За дотримання цих вимог несе відповідальність фахівець з установлення. Переконайтеся, що прилад установлено відповідно до всіх норм і/або положень будівництва.
- Засіб від'єднання всіх полюсів живлення має бути вбудовано в стаціонарну електропроводку відповідно до місцевих правил щодо електропроводки.
- Перед установленням або обслуговуванням необхідно від'єднати подачу струму й води.
- Переконайтеся, що безпосередньо за місцем свердління чи монтажу не

проходять труби (газові, водопровідні, вентиляційні), електричні кабелі, проводи чи канали.

- Компанія Dyson рекомендує використовувати захисний одяг, захисні окуляри та інші необхідні засоби захисту під час установлення та ремонту.
- Прилад має бути постійно підключений до мережі водопроводу.

Використання приладу в приміщеннях, призначених для приготування їжі

У випадку встановлення в приміщеннях, призначених для приготування їжі, застосовуються особливі вимоги. Консольний електродвигун і шланг необхідно розмістити в повністю закритому корпусі, що легко чиститься, або встановити консольний електродвигун на зовнішній стороні стіни, забезпечити належний простір для можливості очищення вниз (якщо застосовно). Крім того, прилад слід установлювати на відстані принаймні 2,5 метра від відкритих харчових продуктів або поверхонь, що з ними контактують.

Перед установленням перегляньте на сайті www.dyson.com посібник із рекомендаціями щодо раковин.

Рис. В

Рекомендації щодо технічних характеристик раковини

Завдяки спеціальному методу тестування інженери Dyson перевірили сумісність широкого ряду раковин із сушаркою для рук Dyson Airblade Wash+Dry. Рекомендовані раковини див. в нашому посібнику на веб-сайті www.dyson.com.

Оптимальним вибором є раковини з порцеляни або шліфованого металу. Уникайте використання раковин із дзеркальним поліруванням поверхні, як-от із дзеркального хрому. Інформацію про мінімальні розміри раковини див на рис. В.

Рис. С/Д/Е

Установлення крана

Відстань від верху раковини до центра крана має становити не менше 100 мм і не більше 155 мм (рис. С).

Між центром крана й бічною стіною має бути відстань принаймні 290 мм. Між центрами кранів, що встановлюються один поруч з одним, має бути відстань принаймні 580 мм. Це забезпечує достатнє місце для монтажу консольного електродвигуна та достатній простір для користувачів (рис. Д).

Не розташовуйте спрямований униз водний датчик крана над дзеркальними поверхнями, як-от зливним отвором (рис. Е).

Рис. Ф

Мило та розташування дозатора мила

Компанія Dyson рекомендує використовувати рідке мило.

Зона ІЧ-датчика для активації повітря простягається вздовж кожної секції крана. Щоб запобігти випадковій активації, важливо врахувати траєкторію руху рук користувача до дозатора мила. Дозатор необхідно встановити на відстані принаймні 60 мм від крана, щоб рухи користувачів не проходили по бічній лінії навколо секцій крана.

Щоб датчики не вмикалися, дозатор має бути встановлено вище секцій на відстані принаймні 60 мм.

Майте на увазі, що можлива діагональна траєкторія руху рук користувача до мила. Ця траєкторія не має проходити через зону датчиків.

Рис. G/H

Відведення води

Через високу швидкість повітря та близькість води можливе розбризкування мила й води за межі раковини. Щоб уникнути цього дотримуйтеся наведених нижче рекомендацій.

Профіль основи раковини

Плоский профіль основи погіршує відведення води, що сприяє розбризкуванню. Щоб покращити відведення води, не вибирайте раковини з плоскою основою. Зверніть особливу увагу на область, що прилягає до зливного отвору, радіус якої має становити не менше 60 мм (рис. G).

Мінімальний кут ухилу 6° від краю зливного отвору раковини покращить відведення води й зменшить розбризування (мінімальний радіус: 60 мм) Див. **рис. Н.**

Рис. I/J/K

Перехід основи раковини до передньої й задньої стінок

Необхідно також звернути увагу на перехід основи раковини до передньої й задньої стінок. Кут задньої стінки раковини відносно основи має бути максимально наближений до 90°; також потрібен якомога гостріший радіус (див. **рис. I**). Викривлення геометрії сприяє розбризуванню (**рис. J**) тому слід уникати похилих переходів задньої й передньої стінок (**рис. K**).

Рис. L

Зливний отвір

Рекомендовано використовувати зливні отвори з найбільш відкритим вирізом. Уникайте використання отворів із решіткою або перфорованого типу, оскільки вони обмежують відведення мильної води (піни). Не використовуйте в раковинах пробки для зливних отворів.

Рис. M

Керування температурою води

Якщо до системи постачається гаряча й холодна вода, необхідно встановити кран-змішувач. Якщо постачається лише холодна вода, необхідно встановити нагрівач. Систему подачі води до цього пристрою слід обладнати пристроєм контролю температури відповідно до місцевих норм.

A= кран-змішувач
B= подача холодної й гарячої води
C= потрібна температура на виході
D= запірний клапан
E= нагрівач
F= вхід холодної води

Додаткова інформація

Установлення

Не використовуйте герметики для кріплення пристрою до стіни. Переконайтеся, що немає перешкод для підключення джерел електропостачання й змішаного водопостачання, а також дренажних з'єднань. Необхідна належна ізоляція джерел електро- й водопостачання, щоб відключати їх перед установленням і обслуговуванням.

Електрична система

Вхідна напруга/частота: див. паспортну табличку.
Ізоляція за допомогою блока вимикача з плавким запобіжником або пристроєм захисного вимкнення.
Сила струму: 6,6 А.
Характеристики кабелю: двожилийний кабель ПВХ + одножилийний ПВХ (заземлений).
Під час установлення або ремонту приладу необхідно дотримуватися місцевих норм щодо електричних систем.
Номинальна потужність: див. паспортну табличку.
Діапазон робочих температур: 0–40 °С.
Споживана потужність у режимі очікування: менше 0,5 Вт.
Максимальна висота над рівнем моря: 2000 метрів.

Водна система

Швидкість потоку води: 4 л/хв зі звичайним аератором. 1,9 л/хв з аератором низького потоку повітря, що постачається в комплекті.

Необхідний водяний тиск: 1–8 бар Для обслуговування потрібен запірний клапан 1/2 дюйма BSP.
Зворотний трубопровід гарячої води слід розташувати якомога ближче до змішувача, щоб максимально зменшити ризик розмноження бактерій Legionella.

Промивання в автоматичному режимі

Прилад обладнано стаціонарним механізмом автоматичного спускання води, що активується на 60 секунд через 24 години після останнього використання. Це допомагає запобігти застою води та розмноженню бактерій у виробі.

Стежте за тим, щоб прилад був постійно встановлений над справною під'єднаною до каналізації раковиною з незасміченим зливом.

Чистота води, що постачається, і біологічне обростання

У деяких країнах існують правила й рекомендації, що вимагають регулярно очищати системи подачі води з терморегулюванням (така система використовується в сушарці для рук Dyson Airblade Wash+Dry), щоб звести до мінімуму біологічне обростання. Для дотримання цих правил сушарку Dyson Airblade Wash+Dry розроблено й протестовано таким чином, що вона витримує внутрішнє очищення гарячою водою (до 95 °С) і гіпохлоритом натрію в концентрації 0,45%.

Інформацію про чинні у вашій країні вимоги до режимів очищення для забезпечення постачання чистої води й запобігання біологічному обростанню див. в спеціальних правилах і рекомендаціях щодо системи постачання води.

Під час проведення внутрішнього очищення сушарки Dyson Airblade Wash+Dry дотримуйтеся всіх рекомендацій із безпеки щодо використання гарячої води або хімічних речовин. Компанія Dyson не несе відповідальності за травми, отримані протягом цього процесу.

Перевірка на стійкість до неналежного використання

Сушарка Dyson Airblade Wash+Dry пройшла ретельну перевірку на стійкість до неналежного використання, яка підтверджує, що вона здатна витримати застосування значної сили й удари, характерні для громадських і комерційних санвузлів.

Покрокові інструкції

Рис. 1

Розміщення

Розташуйте кран по центру над раковиною, як показано на [рис. 1](#).

За потреби зробить у робочій поверхні отвір діаметром 35 мм.

Рис. 2

Установлення крана

Помістіть гумову прокладку товщиною 1 мм на основу крана ([рис. 2a](#)).

Просуньте основу крана, під'єднану трубку для води та з'єднувальний кабель крізь отвір у робочій поверхні. Переконайтеся, що гумова прокладка товщиною 1 мм розміщена під краном рівно та в горизонтальному положенні.

Переконайтеся, що кран правильно розташований над умивальником.

Помістіть гумову прокладку товщиною 3,5 мм на основу крана.

Вставте гвинти в латунне стопорне кільце та злегка затягніть їх, щоб зафіксувати в правильному положенні.

Помістіть металеву шайбу на основу крана.

Накрутіть латунну стопорну гайку на основу крана, залишивши проміжок не більше 5 мм між металевою шайбою та латунною стопорною гайкою.

Затягніть гвинти крізь латунну стопорну гайку в металеву шайбу вручну до упору.

A= гумова прокладка товщиною 1 мм
B= основа крана
C= трубка для води
D= кабель датчика
E= прокладка товщиною 3,5 мм
F= металева шайба
G= латунна стопорна гайка
H= 2 гвинти

Рис. 3

Установлення шланга

Насуньте сірий шланг на трубку для води та кабель датчика, як показано на [рис. 3a](#).

Протягніть трубку для води крізь лівий вихідний отвір у патрубку для шланга, як показано на [рис. 3b](#).

За допомогою плоскогубців обережно протягніть трубку для води до суцільної білої лінії ([рис. 3c](#)).

Переконайтеся, що втулка на трубці для води герметично прилягає до патрубка для шланга ([рис. 3b](#)).

Протягніть кабель датчика крізь правий вихідний отвір, обережно проштовхуючи його ([рис. 3b](#)). НЕ ВИКОРИСТОВУЙТЕ плоскогубці, щоб не пошкодити електричні з'єднання ([рис. 3c](#)). Переконайтеся, що втулка на кабелі герметично прилягає до патрубка для шланга ([рис. 3d](#)). Для полегшення монтажу можна використовувати силіконовий змащувальний засіб.

Прикрутіть верхню манжету шланга до основи крана вручну до упору ([рис. 3e](#)).

A= сірий шланг
B= трубка для води
C= кабель датчика

Рис. 4

Підготовка до встановлення заднього щитка

Зніміть консольний електродвигун із заднього щитка, натиснувши на червоний механізм розчеплення в нижній частині та піднявши його, як показано на [рис. 4a](#). Відкладіть консольний електродвигун, доки він не знадобиться.

За допомогою викрутки під зіркоподібний шліц Tox T15 зніміть кришки водопровідної труби й електричного блока із заднього щитка, як показано на [рис. 4b та 4c](#). Відкладіть їх разом із кріпленнями, доки вони не знадобляться.

Рис. 5

Установлення заднього щитка

Задній щиток можна розташувати одним із трьох способів: вертикально або під кутом 90° вліво чи вправо по горизонталі. Мінімальна рекомендована відстань до підлоги має становити 100 мм ([рис. 5a](#)).

Переконайтеся, що розміщення заднього щитка дає змогу легко під'єднати шланг. НЕ РОЗТАШОВУЙТЕ електродвигун догори дном (щоб шланг не було повернуто вниз) або вище рівня крана ([рис. 5b](#)).

Позначте положення заднього щитка на стіні.

Введення кабелю

Введення кабелю може здійснюватися через цоколь або зі стіни безпосередньо до задньої частини приладу за допомогою задньої точки входу кабелю. Виберіть один із способів, перш ніж розпочинати.

Якщо ви вирішите вводити кабель через цоколь, використовуйте плоскогубці, щоб обережно витягнути попередньо розмічену знімну панель, розташовану в основі заднього щитка. Підпиляйте краї знімної панелі, щоб вирівняти їх ([рис. 5c](#)).

Підведення води

Підключення води здійснюється з лівого боку заднього щитка. Місце підключення на задньому щитку не можна змінювати ([рис. 5d](#)).

Рис. 6

Установлення заднього щитка

Якщо кабель буде заведено безпосередньо до заднього щитка з боку стіни, протягніть електричний кабель, перш ніж прикріплювати задній щиток до стіни.

Закріпіть задній щиток на стіні, використовуючи відповідне фіксувальне приладдя ([рис. 6](#)).

Не використовуйте гвинти з потаємними головками.

Рис. 7

Під'єднання кабелю датчика

Зафіксуйте сірий шланг на задньому щитку.

Під'єднайте кабель датчика до шланга за допомогою роз'єму на задньому щитку, як показано на [рис. 7](#). Перевірте орієнтацію роз'єму: два виводи мають бути на одній лінії. Переконайтеся, що кабель правильно під'єднано до каналу заднього щитка.

Рис. 8

Підключення трубки для води

Підріжте трубку для води до розміру по пунктирній білій лінії, як показано на рис. 8а.

Помістіть хомут для шланга (постачається в комплекті) на трубку для води (рис. 8b).

Витягніть 2 гвинти з хрестоподібними шліцями Phillips і відкріпіть соленоїд від заднього щитка (рис. 8b).

Приєднайте водний шланг до соленоїда (рис. 8c).

Зафіксуйте соленоїд на задньому щитку й затягніть 2 гвинтами (рис. 8d).

Затягніть хомут для шланга й переконайтеся, що кабель соленоїда правильно розташований у каналі для з'єднань.

Рис. 9

Підключення до електроживлення

Під'єднайте джерело електроживлення до заднього щитка, використовуючи дозволені гнучкий або жорсткий кабелепровід і електроарматуру. Переконайтеся, що кабель живлення має достатню довжину для підключення до розподільної коробки на задньому щитку.

Прокладіть кабель до заднього щитка й затягніть кабельну втулку.

Оголіть кабель на потрібну довжину та закріпіть струмопровідний і нейтральний дроти у відповідних блоках клем, як показано на рис. 9. Перш ніж продовжити, перевірте правильність розташування кабелів.

Рис. 10

Повторне встановлення кришки електричного блока

Закріпіть кришку електричного блока за допомогою 6 кріплень (входять до комплекту постачання) і переконайтеся, що проводи не затиснуті.

Рис. 11

Під'єднайте джерела змішаного водопостачання

Перед під'єднанням до заднього щитка переконайтеся, що систему подачі води повністю промито від бруду, мідних ошурків тощо. Якщо цього не зробити, можливе пошкодження соленоїдного клапана та порушення його щільності, що призведе до крапання з крана.

Під'єднайте ізольовані джерела змішаного водопостачання до заднього щитка.

Увімкніть подачу води.

Перевірте головний вхід водопостачання та з'єднання трубки для води з краном на предмет витоків води.

Також перевірте відсутність витоків води на з'єднаннях із соленоїдом.

Рис. 12

Увімкнення живлення

Увімкніть живлення пристрою.

ЦИКЛ КАЛІБРУВАННЯ. Після встановлення кран проходить цикл калібрування тривалістю 30 секунд.

Помістіть руки під датчик на крані, щоб увімкнути воду (рис. 12a).

Переконайтеся у відсутності протікань, як показано на рис. 11.

Зафіксуйте на задньому щитку захисну кришку водяної трубки (використовуючи 2 шурупи, які постачаються в комплекті). Див. рис. 12b.

Рис. 13

Установка консольного електродвигуна

Під'єднайте консольний електродвигун до верхньої частини електрообладнання. Посуньте його вниз, щоб він зайняв належне положення, як показано на рисунку. Надійно зафіксуйте, натиснувши на нього (рис. 13a).

ДОДАТКОВО. Постачається гвинт для фіксації червоної кнопки розблокування, що запобігає несанкціонованому демонтажу консольного електродвигуна.

Перевірте правильність функціонування пристрою.

Зафіксуйте консольний електродвигун на задньому щитку (необов'язково).

Щоб зняти фільтр, обережно за допомогою викрутки звільніть планку на фільтрі, як показано рис. 13b.

Зафіксуйте консольний електродвигун на задньому щитку за допомогою кріпильного гвинта, що постачається в комплекті (рис. 13c).

Установіть фільтр на місце так, щоб він зафіксувався з характерним клацанням (рис. 13d).

Перевірка встановлення

Виконайте наведені нижче дії для перевірки правильної роботи сушарки для рук.

- Розташуйте руки нижче центра крана, і вода автоматично почне текти, поки ви не приберете їх.
- Розташуйте руки по обидва боки від центрального крана, щоб увімкнути сушарку. Її потоки повітря висушать краплі води на ваших руках.
- Повільно переміщуйте руки вперед і назад через потік повітря. Повертайте кисті долонями вгору й вниз під повітряним потоком.

Пошук та усунення несправностей

Сушарка для рук не вмикається.

- Перевірте роботу запобіжника, автоматичного вимикача та наявність підключення подачі струму та води.
- Переконайтеся, що ковпачок для чищення знято, датчики чисті і їх ніщо не перекриває.
- Увімкніть і вимкніть пристрій.

Сушарка для рук вмикається та вимикається з перебоями.

- Увімкніть і вимкніть пристрій.
- Переконайтеся, що в раковину не вставлено пробку. Якщо пробку вставлено, вийміть її.
- Переконайтеся, що датчики чисті.
- Переконайтеся, що кабель датчика від крана надійно під'єднано.

Іноді сушарка вмикається з перебоями.

- Увімкніть і вимкніть пристрій.
- Переконайтеся, що датчики чисті.
- Перевірте, що повітряні отвори чисті та не містять пилу. Якщо повітряні отвори запилені, почистьте їх.
- Переконайтеся, що повітряні отвори не закупорено сторонніми предметами і що вони достатньо чисті.

Збільшився час сушіння.

- Огляньте повітряні отвори. Якщо на них є пил, видаліть його.
- Огляньте фільтр і замініть його, якщо потрібно.
- Переконайтеся, що шланг надійно під'єднано до основи крана і що немає течі.

Потік повітря став гарячішим, ніж звичайно.

- Огляньте повітряні отвори. Якщо на них є пил, видаліть його.
- Огляньте фільтр і замініть його, якщо потрібно.
- Переконайтеся, що шланг надійно під'єднано до основи крана і що немає течі.

Не переривається постачання повітря.

- Переконайтеся, що в раковині немає предметів. За необхідності видаліть їх.
- Переконайтеся, що датчики чисті та сторонні предмети не перешкоджають їх роботі.
- Огляньте фільтр і замініть його, якщо потрібно.
- Переконайтеся, що шланг надійно під'єднано до основи крана і що немає течі.

Відсутнє постачання повітря.

- Увімкніть і вимкніть пристрій.
- Перевірте справність запобіжника, автоматичного вимикача та наявність підключення подачі струму та води.
- Переконайтеся, що датчики чисті.
- Переконайтеся, що шланг надійно під'єднано до основи крана і що немає течі.
- Переконайтеся, що кабель датчика від крана надійно під'єднано.

Вода з крана подається безперервно.

- Переконайтеся, що датчики чисті та сторонні предмети не перешкоджають їх роботі.

З крана не подається вода.

- Переконайтеся, що подачу струму та води увімкнуто і що запірний клапан відкрито.
- Переконайтеся, що пристрій для подачі повітря не засмічено. Зніміть і прочистьте або перемістіть, якщо необхідно.

Вода, що подається з крана, надто гаряча або холодна.

- Переконайтеся, що на змішувачі встановлена потрібна температура. Щоб отримати технічну підтримку й додаткову інформацію, зверніться в центр обслуговування клієнтів Dyson або відвідайте сайт www.dyson.com

USEN

Contents

Important Safety Instructions 303 

In the box 304

Pre-installation checks 305

Installation

Step-by-step 307

Test installation 309

Troubleshooting 309

IMPORTANT SAFETY INSTRUCTIONS

READ AND SAVE THESE INSTRUCTIONS

BEFORE INSTALLING OR USING THIS UNIT READ ALL INSTRUCTIONS AND CAUTIONARY MARKINGS IN THIS INSTALLATION GUIDE AND THE OWNERS MANUAL.

WARNING

ALL INSTALLATION AND REPAIR WORK (PLUMBING AND ELECTRICAL) SHOULD BE CARRIED OUT BY A QUALIFIED PERSON OR DYSON SERVICE TECHNICIAN IN ACCORDANCE WITH CURRENT LOCAL CODES OR REGULATIONS.

WARNING

RISK OF ELECTRIC SHOCK!

IF CASING IS REMOVED OR HANDLED IMPROPERLY THE INTERNAL COMPONENTS OF THE UNIT MAY CAUSE HARM OR BECOME PERMANENTLY DAMAGED.

TO REDUCE THE RISK OF FIRE, ELECTRIC SHOCK, OR INJURY TO PERSONS, OBSERVE THE FOLLOWING:

Before beginning any installation work you must confirm the following.

- Check that the electrical supply corresponds to that shown on the rating plate.
- A means for all-pole disconnection must be incorporated into fixed wiring, in accordance with local wiring regulations.

- Connect the electricity supply using suitable conduit and electrical fittings. Ensure that the conduit and wires are long enough to connect to the backplate and the terminal block. Solid metal conduit is not suitable for side entry.

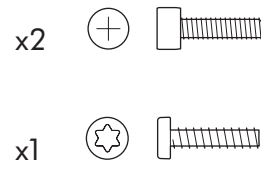
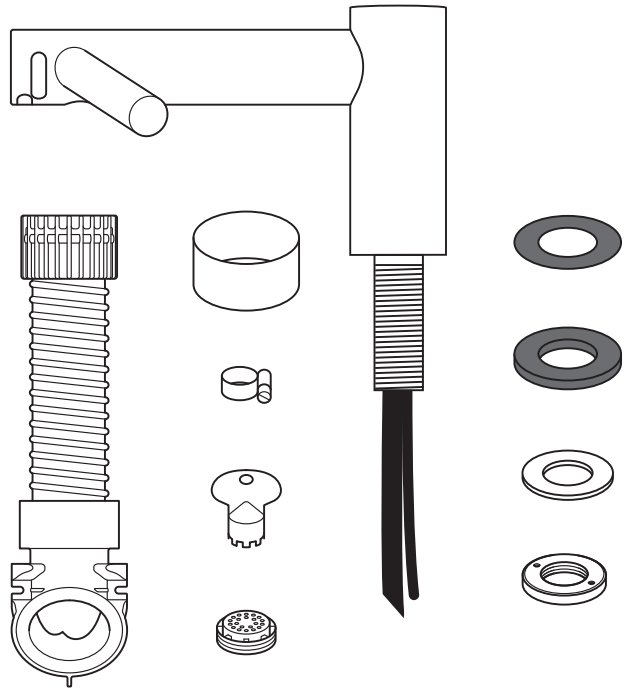
WARNING

Use caution when unpacking the components. There may be sharp edges/corners which may cut or cause harm.

DO NOT USE ANY JET WASH EQUIPMENT FOR CLEANING ON OR NEAR THIS UNIT

US
USES
AR
CL
GT
MX
PA

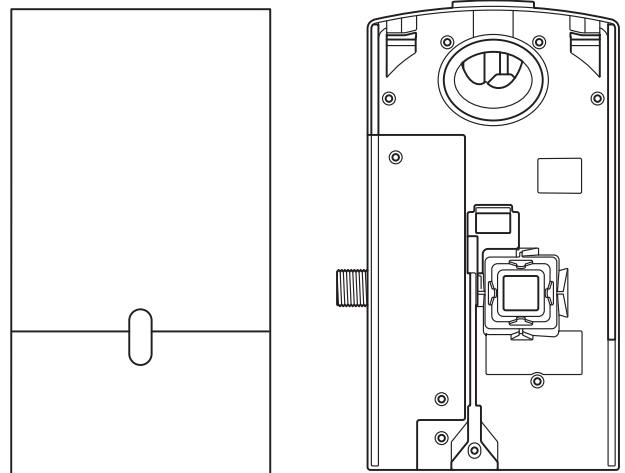
In the box



Tools required:

- Small Phillips screwdriver
- 7mm blade screwdriver
- Small bladed screwdriver
- Torx T15 screwdriver
- Tape measure and pencil
- Hand drill
- Suitable drill bit
- Pliers/wire strippers
- Knife
- Adjustable spanner

- US
- USES
- AR
- CL
- GT
- MX
- PA



Pre-installation checks

Fig. A

Pre-installation planning

The Dyson Airblade Wash+Dry hand dryer is designed so that the motor unit is wall mounted and located under the basin Fig. A(i).

The fitting of an inline filter is advised to prevent any damage that may affect your limited warranty.

- Allow sufficient access space for installation and servicing, see Fig. A(ii).
- The unit is designed for dry, internal location only.
- Consult local and national accessibility codes and regulations for relevant installation guidelines. Conformity and compliance is the responsibility of the installer. Make sure that the unit is installed in compliance with all building codes and/or regulations.
- A means for all-pole disconnection must be incorporated into fixed wiring, in accordance with local wiring regulations.
- Isolate the power and water supplies before installation or service.
- Ensure no pipe work (gas, water, air) or electrical cables, wires or ductwork are located directly behind the drilling/ mounting area.
- Dyson recommends the use of protective clothing, eye wear and materials when installing/repairing as necessary.
- This appliance is intended to be permanently connected to the water mains.

Use in food preparation areas

For food preparation environments special installation is required, which must fully enclose the motor bucket and hose in a cleanable housing or have the motor bucket on the reverse side of a wall, provide adequate clearance for cleaning underneath (if applicable) and be such that the unit is at least 8 feet from uncovered food or uncovered food-contact surfaces.

Refer to the Sink recommendation guide at www.dyson.com prior to install.

Fig. B

Sink specification guidelines

Using a specially designed test method, Dyson engineers tested a wide range of sinks to assess their compatibility with the Dyson Airblade Wash+Dry hand dryer. For recommended sinks, please use our guide at www.dyson.com.

Porcelain or brushed metal sinks are ideal. Sinks with highly polished surfaces should be avoided e.g. reflective chrome. For minimum sink dimensions refer to Fig. B.

Fig. C/D/E

Tap mounting

There should be a minimum of 4" and a maximum of 6" from the top of the sink to the tap center. Fig. C.

There should be a minimum of 11" between a tap center and a side wall. When multiple taps are installed side-by-side, tap centers

should be a minimum of 23" apart. This allows sufficient space for mounting the motor bucket, as well as sufficient shoulder room for users. Fig. D.

Do not place the downward facing water sensor of the tap over a reflective surface, such as the drainage hole. Fig. E.

Fig. F

Soap and locating the soap dispenser

For best user experience, Dyson recommends the use of gel soap.

The infrared sensing zone for air activation extends along each tap branch. In order to prevent accidental activation, it's important to consider the user's hand route to the soap dispenser.

The dispenser should be located at least 2" outside the width of the tap, so the user reaches around the side of the branch.

It should also be located at least 2" above the branches, so that the sensors are not activated.

Please note that the user may reach diagonally across for the soap, so this path must not go through the sensing zone.

Fig. G/H

Water drainage

Due to high velocity air and water being in close proximity, there is a chance of some water and soap dispersion outside the sink dimensions. To alleviate this effect, we recommend following the guidelines below.

Base Profile

Flat base profile will result in poor drainage leading to high levels of splashback. To improve drainage, avoid sinks with a flat base with particular focus on the immediate area surrounding the drain hole, minimum 2" radius. Fig. G.

Minimum of 6° ramp angle from the edge of the drain hole of the sink will result in good drainage leading to reduced levels of splashback (minimum 2" radius). Fig. H.

Fig. I/J/K

Base to back and front wall transition

The base to back and front wall transition should also be considered. The back wall should be as close to 90°, and at as sharp a radius as possible Fig. I. Curved geometry is more likely to increase splashback Fig. J, whereas sloping back and front wall transitions should be avoided Fig. K.

Fig. L

Plug hole

Plug holes with the most open aperture are recommended, whereas grille or perforated type plug holes should be avoided as they restrict the drainage of soapy water (lather). Do not use plugs within the plug holes in sinks.

Fig. M

Water temperature control

If you are connecting a hot and cold water feed you will need to install a blender valve. If connecting to cold only water feed you will need to install a heater.

US
USES
AR
CL
GT
MX
PA

The water supply to this product must be fitted with a temperature control device in accordance with local regulations.

- A= Blender valve
- B= Hot and cold feed
- C= Desired temperature out
- D= Isolation valve
- E= Heater
- F= Cold feed in

Additional Information

Installing

Do not use sealant when fixing the unit to the wall.
Ensure electricity and mixed water supplies and drainage connections are available for connection. Suitable isolation of the power and water supplies must be in place to switch off supplies before install and for servicing.

Electrical

Input voltage/Frequency: Refer to rating plate.
Isolated by switch fuse spur or RCD as appropriate.
Current 6.6 A.
Local electrical regulations must be adhered to when installing or repairing the product.
Rated power: Refer to rating plate.
Operating temperature range: 32° – 104°F.
Standby power consumption:
Less than 0.5 W.
Maximum altitude: 6500'.

Water operation

Water flow rate: 0.5 gal/ min normal fitter aerator, 0.35 gal/min with low flow aerator supplied with product.
Water pressure required: 14.5-116 psi isolated valve required for service.

Keep secondary hot water return as close to blender valve as possible to reduce the risk of Legionella bacteria growth.

Automatic duty flush

The unit is equipped with a fixed automatic water flush, which activates for 60 seconds every 24 hours after last use. This helps reduce water stagnation and bacteria proliferation within the product.

Please ensure the unit is always installed over a functional sink with free and connected drainage.

Water supply cleanliness and biological growth

In some countries there are regulations or guidelines that require temperature controlled water supply systems (such as that supplied to the Dyson Airblade Wash+Dry hand dryer) to be subjected to regular cleaning to minimize any biological growth. To enable you to meet these regulations, the Dyson Airblade Wash+Dry hand dryer has been designed and tested to withstand internal cleaning both with hot water up to 203°F and with sodium hypochlorite at a concentration of 0.45%.

Please refer to specific (market) regulations and water supply system recommendations for information on cleaning regimes for water supply cleanliness and biological growth for your country.

When carrying out internal cleaning of the Dyson Airblade Wash+Dry hand dryer, please be aware of any safety considerations when using hot water or chemicals. Dyson will not be responsible for any injury caused by this process.

Abusive testing

The Dyson Airblade Wash+Dry hand dryer has undergone rigorous abusive testing to ensure that it can withstand substantial forces and impacts typical of a commercial and public bathroom environment.

US
USES
AR
CL
GT
MX
PA

Step-by-step

Fig. 1

Position

Position the Tap over the center of the basin Fig. 1.

Cut a 1.37 inches (35 mm) diameter hole in the work surface, if required.

Fig. 2

Tap installation

Slide the 0.04 inches (1 mm) rubber seal on to the tap stem Fig. 2a.

Feed the tap stem and the attached water tube and communications cable through the hole in the work surface. Ensure the 0.04 inches (1 mm) rubber seal is seated under the tap evenly and flat.

Ensure tap is in the correct position above the sink.

Slide the 0.14 inches (3.5 mm) rubber seal on to the tap stem.

Insert the screws into the brass locking ring and tighten lightly to hold them in place.

Slide the metal washer on to the tap stem.

Screw the brass locking nut on to the tap stem, leaving a gap less than or equal to 0.20 inches (5 mm) between the metal washer and the brass locking nut.

Tighten the screws through the brass locking nut into the metal washer, until hand tight.

A= 0.04 inches (1 mm) rubber seal
B= Tap stem
C= Water tube
D= Sensor cable
E= 0.14 inches (3.5 mm) seal
F= Metal washer
G= Brass locking nut
H= 2 x screws

Fig. 3

Hose Installation

Slide the grey hose up over the water tube and sensor cable Fig. 3a.

Feed the water tube through the left exit hole in the hose duct as shown in Fig. 3b.

Use pliers to gently pull the water tube through as far as the solid white line Fig. 3c.

Ensure the grommet on the water tube fits tightly into the hose duct so that it is airtight Fig. 3b.

Feed the sensor cable through the right exit hole, pulling gently as you feed it through Fig. 3b. DO NOT use pliers as this may damage the electrical connections Fig. 3c. Ensure the grommet on the cable fits tightly into the hose duct so that it is airtight Fig. 3d. Silicone grease may be used to assist with the fitting.

Screw the upper hose collar on to the tap stem so that it is hand tight Fig. 3e.

A= Grey hose
B= Water tube
C= Sensor cable

Fig. 4

Preparing for installation of backplate

Remove the motor bucket from the backplate by pressing the red release catch at the bottom and lifting up as shown in Fig. 4a. Store the motor bucket safely until required.

Remove the water pipe cover and the electrics cover from the backplate using a Torx T15 screwdriver Fig. 4b and 4c. Store them safely along with fixings until required.

Fig. 5

Backplate installation

The backplate can be positioned in one of three ways: vertical, or 90° horizontal left or right. Clearance from the floor should be a 3.93 inches (100 mm) minimum see Fig. 5a.

Ensure that the backplate is positioned so that the hose can be easily attached.

DO NOT place motor upside down with hose pointing down, or position above the Tap see Fig. 5b.

Mark the position of the backplate on the wall.

Cable entry

Cable entry can be either from the base or from the wall directly into the back of the unit via the rear cable entry point. Decide which before you start.

If choosing the cable entry option through the base, use pliers to carefully nip out the pre-marked break-out panel on the base of the backplate. File the edges of the break-out section smooth Fig. 5c.

Water entry

Water connection is made on the left hand side of the backplate. The water connection can not be rotated within the backplate Fig. 5d.

Fig. 6

Backplate installation

If cable entry is to be directly into the backplate from the wall, pull through the electrical cable before securing the backplate to the wall.

Secure the backplate to the wall using the appropriate fixings Fig. 6.

Do not use countersunk screws.

Fig. 7

Connecting the sensor cable

Clip the grey hose into the backplate.

Plug the sensor cable in the hose into the connector in the backplate as shown in Fig. 7. Check the orientation of the connector; the two tabs must be lined up. Ensure the cable is correctly routed in the backplate.

US
USES
AR
CL
GT
MX
PA

Fig. 8

Connecting the water tube

Cut the water tube to size at the dotted white line as shown in Fig. 8a.

Slide the hose clip (supplied) on to the water tube Fig. 8b.

Remove the 2 x Phillips screws and unclip the solenoid from the backplate Fig. 8b.

Attach the water hose to the solenoid Fig. 8c.

Clip the solenoid back on to the backplate and fasten the 2 x screws Fig. 8d.

Tighten the hose clip and ensure the solenoid cable is correctly positioned in the retaining channel.

Fig. 9

Connecting the electricity supply

Route the electricity supply to the backplate using approved flexible or solid conduit and fittings. Ensure the power cable is long enough to connect to the terminal block mounted in the back plate.

Route the cable into the backplate and tighten the cable gland.

Strip the cable to a suitable length and secure the live and neutral wires into the corresponding terminal blocks as shown in Fig. 9. Ensure the correct positioning of the cables before proceeding.

Fig. 10

Re-assemble electrical cover

Fix the electricals cover and secure with the 6 x fixings supplied ensuring no wires are trapped.

Fig. 11

Connecting the mixed water supply

Ensure water feed has been completely flushed of debris, copper filings etc. prior to connecting to the backplate. Failure to do so may damage the solenoid valve resulting in it not closing properly, creating a dripping tap.

Connect the isolated, mixed water supply to the backplate.

Turn on the water.
Inspect for leaks at the main water supply inlet and the water tube connection to the tap.

Also check for leaks at the solenoid connection.

Fig. 12

Switching power on

Switch on power to the machine.

CALIBRATION CYCLE: Once installed, the tap will go through a 30 second calibration cycle.

Place hand under sensor on tap to activate water flow. Fig. 12a.

Check for leaks as per Fig. 11.

Secure the water pipe cover onto the backplate using the 2 x fixings provided. Fig. 12b.

Fig. 13

Assembling the motor bucket

Hook the motor to the top of the electricals cover. Swing it downwards so it clicks into place as shown. Push in securely Fig. 13a.

OPTIONAL: A screw is supplied to secure the red release button and prevent unwanted removal of the motor bucket.

Test the unit for correct operation.

Securing the motor bucket to the backplate (optional).

To remove the filter, gently use a screwdriver to release the tab on the filter as shown Fig. 13b.

Secure the motor bucket to the backplate using the security screw supplied Fig. 13c.

Re-connect the filter ensuring that it clicks into place Fig. 13d.

Test installation

Test the hand dryer for normal operation:

- Place your hands beneath the center of the tap and water will flow automatically for as long as the hands remain in place.
- Place your hands to either side of the center tap to activate the hand dryer, creating sheets of air to scrape water from your hands.
- Move your hands backwards and forwards slowly through the air, turning them over so both back and front are exposed to the airflow.

Troubleshooting

Hand dryer fails to start:

- Check fuse/circuit breaker is working and that the power and water supply are connected.
- Ensure the cleaning cap is removed and that the sensors are clean and unobstructed.
- Turn the unit off and on.

Hand dryer turns itself on and off erratically:

- Turn the unit off and on.
- Ensure there is no plug in the sink and remove if plug is present.
- Ensure sensors are clean.
- Check that the sensor cable from the tap is securely connected.

Hand dryer sometimes cuts out in use:

- Turn the unit off and on.
- Ensure sensors are clean.
- Check the air inlets are clean and free of dust. If the air inlets are dusty simply remove dust.
- Ensure that the air inlets are free from obstructions and have sufficient clearance.

The dry time has increased:

- Inspect the air inlets for dust and remove.
- Inspect filter and change if required.
- Ensure that the hose is securely attached to the base of the tap and no leaks are present.

The airflow is running hotter than usual:

- Inspect the air inlets for dust and remove.
- Inspect filter and change if required.
- Ensure that the hose is securely attached to the base of the tap and no leaks are present.

Air is continuously running:

- Check for any object in the sink and remove if necessary.
- Ensure sensors are clean and free from any obstructions.
- Inspect filter and change if required.
- Ensure that the hose is securely attached to the base of the tap and no leaks are present.

There is no air running:

- Turn the unit off and on.
- Check fuse/circuit breaker is working and that the power is connected.
- Ensure sensors are clean.
- Ensure that the air hose is securely attached to the base of the tap and no leaks are present.
- Check that the sensor cable from the tap is securely connected.

Water is continuously coming from the tap:

- Ensure sensors are clean and free from any obstructions.

There is no water coming from the tap:

- Ensure that the power and water supplies are turned on and that the isolation valve is open.
- Ensure that the aerator is free from debris, remove and clean/replace if necessary.

The water coming from the tap is overly hot or cold:

- Check the blender valve is set to the desired temperature.

Contact Dyson Customer Care for further support and information or online at www.dyson.com

USES/AR/CL/GT/MX/PA

Contenido

Instrucciones de seguridad importantes 311 

En la caja 312

Comprobaciones previas a la instalación 313

Instalación

Paso a paso 315

Prueba de la instalación 317

Resolución de problemas 317

INSTRUCCIONES DE SEGURIDAD IMPORTANTES

LEA Y GUARDE ESTAS INSTRUCCIONES

ANTES DE INSTALAR O UTILIZAR ESTA UNIDAD LEA TODAS LAS INSTRUCCIONES Y SEÑALES DE ADVERTENCIA EN ESTA GUÍA DE INSTALACIÓN Y EN EL MANUAL DEL PROPIETARIO.

ADVERTENCIA

TODAS LAS TAREAS DE INSTALACIÓN Y REPARACIÓN (QUE INCLUYEN PLOMERÍA Y ELECTRICIDAD) DEBEN SER REALIZADAS POR UNA PERSONA CALIFICADA O UN INGENIERO DE REPARACIONES DE DYSON DE ACUERDO CON LOS CÓDIGOS Y LAS NORMAS LOCALES VIGENTES.

ADVERTENCIA

RIESGO DE CHOQUE ELÉCTRICO

SI LA CARCASA SE QUITA O SE MANEJA INCORRECTAMENTE, LAS PIEZAS INTERNAS DE LA UNIDAD PUEDEN CAUSAR DAÑOS O DETERIORARSE DE MANERA PERMANENTE.

CON OBJETO DE REDUCIR EL RIESGO DE INCENDIO, CHOQUE ELÉCTRICO, O DAÑOS PERSONALES, TENGA EN CUENTA LO SIGUIENTE:

Antes de comenzar la instalación, debe confirmar lo siguiente.

- Compruebe que la alimentación eléctrica corresponda a la que aparece en la placa de especificaciones.
- Esta unidad debe ser conectada a tierra para reducir el riesgo de incendio, golpe eléctrico o lesiones a personas.

- Conecte el suministro de corriente eléctrica mediante los accesorios eléctricos y el conductor adecuado. Asegúrese de que el conducto y los cables sean lo suficientemente largos como para conectarse a la placa posterior y al bloque de terminales. Un conducto de metal sólido no es adecuado para la entrada lateral.

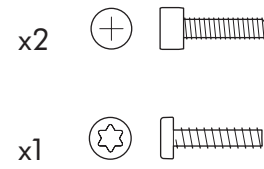
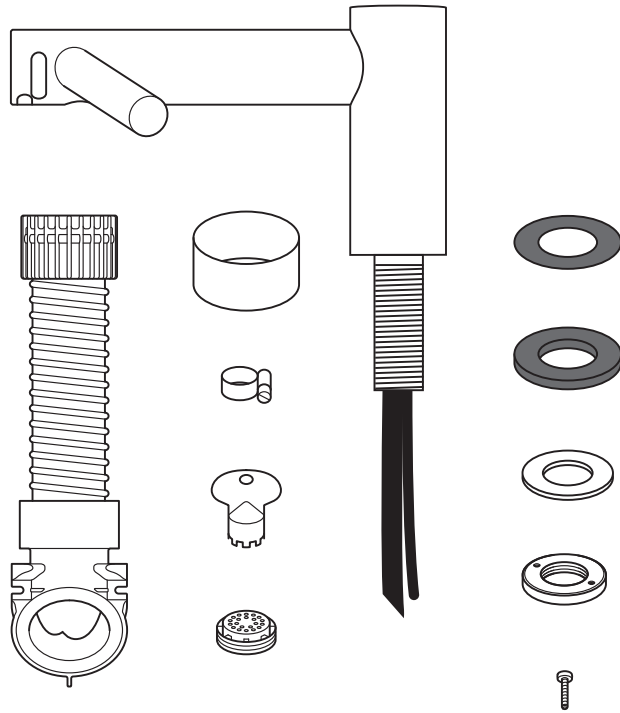
ADVERTENCIA

Tenga cuidado cuando desembale los componentes. Puede haber bordes o cantos filosos que pueden cortar o causar daño.

NO UTILICE EQUIPOS DE LAVADO A PRESIÓN PARA LIMPIAR ESTA UNIDAD O ÁREAS CERCANAS.

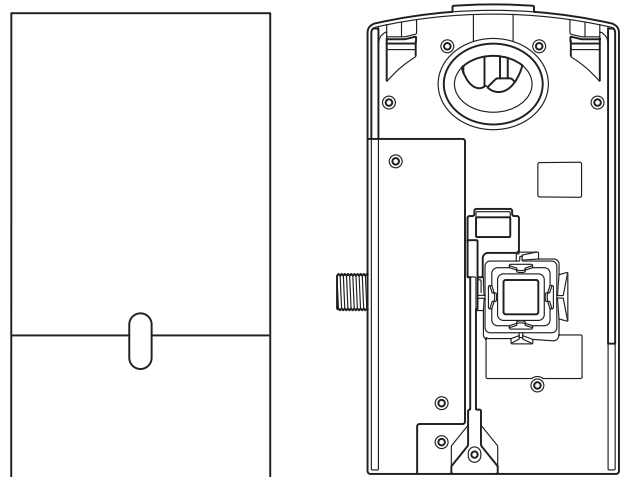
US
USES
AR
CL
GT
MX
PA

En la caja



Herramientas requeridas:

- Destornillador Phillips pequeño
- Destornillador plano de 7 mm
- Destornillador de cabeza plana pequeño 2.5 mm
- Destornillador Torx T15
- Cinta métrica y lápiz
- Taladro de mano
- Broca de taladro adecuada
- Alicates / pelacables
- Cuchillo
- Llave inglesa ajustable



US
USES
AR
CL
GT
MX
PA

Comprobaciones previas a la instalación

Fig. A

Planificación previa a la instalación

El secador de manos Dyson Airblade Wash+Dry está diseñado para que la unidad del motor se monte en la pared y se ubique debajo del lavabo. Fig. A(i).

Se recomienda la colocación de un filtro en línea para evitar daños que puedan afectar la garantía.

- Deje suficiente espacio para la instalación y el mantenimiento, consulte la Fig. A(ii).
- La unidad está diseñada para colocarse en lugares interiores y secos únicamente.
- Consulte los códigos y las normas de accesibilidad locales y nacionales para conocer las pautas de instalación pertinentes. El cumplimiento de estas normas es responsabilidad del instalador. Asegúrese de que la unidad se instale con el conducto, la cubierta del conducto y el cerramiento metálico suministrados.
- Debe incorporarse un sistema de desconexión de todos los polos al cableado fijo, conforme las normas locales de cableado.
- Desconecte la fuente de alimentación y el suministro de agua antes de realizar tareas de instalación o reparación.
- Asegúrese de que no haya ninguna tubería (de gas, agua, aire) ni cables eléctricos, alambres o conductos directamente detrás de la zona de montaje/perforación.

- Dyson recomienda el uso de ropa, gafas y materiales de protección al instalar o reparar según sea necesario.
- Este electrodoméstico está diseñado para conectarse en forma permanente a la red de suministro de agua.

Uso en áreas de preparación de alimentos

Para los ambientes de preparación de comidas se requiere una instalación especial, que debe encerrar por completo el cubo del motor y la manguera en un bastidor limpiable o colocar el cubo del motor en el lado reverso de la pared, permitir un espacio adecuado para la limpieza por debajo (si corresponde) y ubicar la unidad al menos a 2.5 metros de alimentos no cubiertos o de las superficies de contacto con alimentos no cubiertos. Consulte la guía de recomendaciones del lavamanos en www.dyson.com antes de realizar la instalación.

Fig. B

Pautas para especificaciones del lavamanos

Al emplear un método de pruebas especialmente diseñado, los ingenieros de Dyson probaron una amplia gama de lavamanos para evaluar su compatibilidad con el secador de manos Dyson Airblade Wash+Dry. Para ver los lavamanos recomendados, utilice nuestra guía en www.dyson.com.

Los lavamanos de porcelana o metal cepillado son ideales. Se deben evitar los lavamanos con superficies muy pulidas, por ejemplo, el cromo reflectante. Para las dimensiones mínimas del lavamanos, consulte la Fig. B.

Fig. C/D/E

Montaje del grifería

Debe haber un mínimo de 100 mm y un máximo de 155 mm desde la parte superior del lavamanos hasta el centro del grifería. Fig. C.

Debe haber un mínimo de 290 mm entre el centro de un grifería y una pared lateral. Cuando se instalan varios grifería lado a lado, los centros de los grifería deben tener una separación mínima de 580 mm entre ellos. Esto permite suficiente espacio para montar el cubo de motor, además deja suficiente espacio para los hombros de los usuarios. Fig. D.

No coloque el sensor de agua del grifería con la cara hacia abajo encima de una superficie reflectante, como el orificio de drenaje. Fig. E.

Fig. F

Jabón y ubicación el dispensador de jabón

Para obtener una mejor experiencia para el usuario, Dyson recomienda el uso de jabones en gel.

La zona de detección de infrarrojos para la activación de aire se extiende a lo largo de cada rama de grifería. Con el fin de evitar la activación accidental, es importante tener en cuenta el desplazamiento de la mano del usuario hacia el dispensador de jabón.

El dispensador debe estar situado al menos 60 mm fuera del ancho de la grifería, para que el usuario pase cerca del costado del equipo.

También debe estar situado al menos 60 mm por encima del equipo, de manera tal que los sensores no se activen.

Tenga en cuenta que el usuario puede llegar al jabón en diagonal, por lo que este camino no tiene que pasar por la zona de detección.

Fig. G/H

Drenaje del agua

Debido a la alta velocidad del aire y el agua en estrecha proximidad, existe la posibilidad de cierta dispersión de jabón y agua fuera de las dimensiones del lavamanos. Para aliviar este efecto, se recomienda seguir las siguientes pautas a continuación

Perfil base

El perfil de base plana resulta en un drenaje deficiente que conduce a altos niveles de salpicaduras. Para mejorar el drenaje, evite lavamanos con base plana y un enfoque particular en el área inmediata que rodea el orificio de drenaje, mínimo 60 mm de radio. Fig. G.

Una rampa con un ángulo mínimo de 6° desde el borde del hueco de desagüe del lavamanos dará lugar a un buen drenaje que conduce a niveles reducidos de salpicaduras (radio mínimo de 60 mm) Fig. H.

Fig. I/J/K

Base a la transición de la pared posterior y frontal

La base a la transición de la pared posterior y frontal también debe ser considerada. El ángulo de la pared posterior debe ser lo más cercano a los 90°, y con un radio tan agudo como sea posible Fig. I. La geometría curva probablemente aumente la salpicadura Fig. J. También debe evitarse una inclinación en pendiente en la transición de las paredes posterior y frontal Fig. K.

Fig. L

Orificio del tapón

Se recomiendan los orificios de tapón con la abertura más amplia, mientras que las rejillas o los orificios del tapón tipo perforado deben evitarse ya que restringen el drenaje del agua jabonosa (espuma). No utilice tapones dentro de los orificios del tapón en el lavamanos.

Fig. M

Control de la temperatura del agua

Si va a conectar un suministro de agua fría y caliente tendrá que instalar una válvula mezcladora. Si conecta solamente al agua fría, usted necesitará instalar un calentador.

El suministro de agua a este producto debe estar equipado con un dispositivo de control de temperatura, en virtud de la normativa local.

- A= Válvula mezcladora
- B= Suministro de agua caliente y fría
- C= Temperatura de salida deseada
- D= Válvula de aislamiento
- E= Calentador
- F= Entrada de suministro frío

Información adicional

Instalación

No utilice sellador al fijar la unidad a la pared. Asegúrese de que estén disponibles para conectar los suministros de agua de alimentación mixta, de corriente eléctrica y las conexiones de drenaje. Se debe colocar un aislamiento adecuado de las fuentes de energía y de agua para desactivar las fuentes antes de la instalación y durante las reparaciones.

Electricidad

Frecuencia/voltaje de entrada: Consulte la placa de clasificación.
Aislado por un interruptor con fusible o RCD según corresponda.
Current 6.6 A.
1.5 mm a través del área transversal.
Se deben respetar los reglamentos eléctricos locales al instalar o reparar el producto.
Potencia nominal: Consulte la placa de clasificación.
Rango de temperatura operativa: 32° – 104°F.
Consumo de energía en espera:
Menos de 0.5 W.
Altitud máxima: 2000 metros.

Operación del agua

Caudal de agua: Aireador instalado normal de 4 l/mín. 1.9 l/m con aireador de caudal bajo suministrado con el producto.
Presión del agua requerida: 1-8 bar. 1/2 " se requiere para servicio BSP válvula aislada.

Mantenga el retorno secundario de agua caliente tan cerca de la válvula de mezclador como sea posible para reducir el riesgo de crecimiento de bacteria Legionela.

Descarga de funcionamiento automático

El secador de manos de la unidad está equipado con descarga automática de agua, que se activa durante 60 segundos cada 24 horas después del último uso. Esta ayuda a reducir el estancamiento del agua y la proliferación de bacterias dentro del producto. Asegúrese de que la unidad esté siempre instalada sobre un lavabo funcional con conexión a un drenaje libre.

Limpieza del suministro de agua y crecimiento biológico

En algunos países existen normas o pautas que requieren que los sistemas de abastecimiento de agua con temperatura controlada (como la suministrada con el secador de manos Dyson Airblade Wash+Dry) tengan una limpieza regular para minimizar cualquier crecimiento biológico. Para que pueda cumplir con estas normas, el secador de manos Dyson Airblade Wash+Dry ha sido diseñado y probado para soportar la limpieza interna tanto con agua caliente hasta 203 °F y con hipoclorito de sodio a una concentración del 0.45%.

Consulte las normas específicas (del mercado) y las recomendaciones del sistema de suministro de agua para obtener información sobre los regímenes de limpieza en relación con el suministro de agua y el crecimiento biológico en su país.

Al llevar a cabo la limpieza interna del secador de manos Dyson Airblade Wash+Dry, tenga presente las consideraciones de seguridad al utilizar agua caliente o productos químicos. Dyson no será responsable por daños causados por este proceso.

Pruebas de abuso

Mantenga el retorno secundario de agua caliente tan cerca de la válvula de mezclador como sea posible para reducir el riesgo de crecimiento de bacteria Legionela.

Paso a paso

Fig. 1

Posición

Coloque el grifo en el centro del lavabo. Fig. 1.

Recorte un orificio de 1.37 pulgadas (35 mm) de diámetro en la superficie de trabajo, si fuera necesario.

Fig. 2

Instalación del grifo

Deslice el sello de goma de 0.04 pulgadas (1 mm) sobre el vástago del grifo. Fig. 2a.

Haga pasar el vástago del grifo, el tubo de agua conectado y el cable de comunicaciones a través del orificio que se encuentra en la superficie de trabajo. Asegúrese de que el sello de goma de 0.04 pulgadas (1 mm) esté apoyado sobre el grifo de forma pareja.

Asegúrese de que el grifo quede en la posición correcta encima del lavabo.

Deslice el sello de goma de 0.14 pulgadas (3.5 mm) sobre el vástago del grifo.

Inserte los tornillos en el anillo de cierre de bronce y ajuste firmemente para mantenerlos en su lugar.

Deslice la arandela de metal sobre el vástago del grifo.

Enrosque la tuerca de cierre de bronce sobre el vástago del grifo, dejando un espacio igual o menor a 0.20 pulgadas (5 mm) entre la arandela de metal y la tuerca de cierre de bronce.

Ajuste los tornillos a través de la tuerca de cierre de bronce en la arandela de metal hasta que queden bien apretados.

A= Sello de goma de 0.04 pulgadas (1 mm)
B= Base del grifo
C= Tubo de agua
D= Cable del sensor
E= Sello de 0.14 pulgadas (3.5 mm)
F= Arandela de metal
G= Tuerca de cierre de bronce
H= Tornillos x 2

Fig. 3

Instalación de la manguera

Deslice la manguera gris hacia arriba sobre el tubo de agua y el cable del sensor – Fig. 3a.

Haga pasar el tubo de agua a través del orificio de salida izquierdo en el conducto de la manguera, como se muestra en la Fig. 3b.

Utilice alicates para tirar suavemente del tubo de agua hasta que llegue a la línea blanca sólida. Fig. 3c.

Asegúrese de que la arandela del tubo de agua se ajuste perfectamente al conducto de la manguera, de manera que quede hermético. Fig. 3b.

Haga pasar el cable del sensor por el orificio de salida derecho, tirando suavemente mientras lo hace tal como se muestra en la Fig. 3b. NO utilice alicates porque podría dañar las conexiones eléctricas. Fig. 3c. Asegúrese de que la arandela del cable se ajuste perfectamente al conducto de la manguera, de manera que quede hermético. Fig. 3d.

Se puede usar grasa siliconada para ayudar con la colocación.

Atornille el collar de la manguera superior a la base del grifo y ajústelo con la mano. Fig. 3e.

A= Manguera gris
B= Tubo de agua
C= Cable del sensor

Fig. 4

Preparación para la instalación de la placa posterior

Retire el motor de la placa posterior pulsando el pestillo rojo de liberación en la parte inferior y levantando como se muestra en la Fig. 4a. Guarde el motor de forma segura hasta que sea necesario.

Quite la cubierta del conducto de agua y la cubierta del sistema eléctrico de la placa posterior usando un destornillador Torx T15 como se indica en las Figuras 4b y 4c. Guárdelas de forma segura junto con las fijaciones hasta que se las necesite.

Fig. 5

Instalación de la placa posterior

La placa posterior se puede disponer de tres maneras diferentes: vertical, o 90° horizontal a la izquierda o la derecha. La distancia del piso debe ser de 3.93 pulgadas (100 mm) como mínimo. Consulte la Fig. 5a.

Asegúrese de que la placa posterior esté ubicada de modo que la manguera se pueda fijar fácilmente. NO coloque el motor invertido con la manguera apuntando hacia abajo, o colóquelo por encima del grifo. Consulte la Fig. 5b.

Marque la ubicación de la placa posterior sobre la pared.

Entrada del cable

La entrada del cable puede ser desde la base de la unidad o desde la pared y se inserta directamente en la parte trasera de la unidad a través del punto de entrada del cable de la parte trasera. Antes de comenzar, decida cuál utilizará.

Si elige la opción de entrada del cable por la base, utilice alicates para extraer cuidadosamente el panel de escape previamente marcado que se encuentra en la base de la placa posterior. Lime los bordes del sector de salida hasta que queden uniformes. Fig. 5c.

Entrada de agua

La conexión de agua se hace en el lado izquierdo de la placa posterior. La conexión de agua no se puede rotar dentro de la placa posterior. Fig. 5d.

Fig. 6

Instalación de la placa posterior

Si la entrada del cable se insertará directamente en la placa posterior desde la pared, tire del cable antes de fijar la placa posterior en la pared.

Fije la placa posterior a la pared mediante los elementos de montaje adecuados. Fig. 6. No utilice tornillos avellanados.

US
USES
AR
CL
GT
MX
PA

Fig. 7

Conexión del cable del sensor

Sujete la manguera gris a la placa posterior.

Conecte el cable del sensor de la manguera al conector de la placa posterior como se muestra en la Fig. 7. Verifique la orientación del conector; las dos pestañas deben estar alineadas. Asegúrese de que el cable esté correctamente ubicado en la placa posterior.

Fig. 8

Conexión del tubo de agua.

Corte el tubo de agua de manera que su largo llegue hasta la línea blanca punteada como se muestra en la Figura 8a.

Deslice el broche de la manguera (suministrado) sobre el tubo de agua. Fig. 8b.

Retire los 2 tornillos Phillips y libere el solenioide de la placa posterior. Fig. 8b.

Fije la manguera de agua al solenioide. Fig. 8c.

Fije el solenioide nuevamente a la placa posterior y ajuste los 2 tornillos. Fig. 8d.

Ajuste el clip de la manguera y asegúrese de que el cable del solenioide esté correctamente posicionado en el canal de retención.

Fig. 9

Conexión de la fuente de electricidad

Conecte el suministro de corriente eléctrica a la placa posterior usando los accesorios y el conductor flexible o rígido aprobado.

Asegúrese de que el cable de alimentación sea lo suficientemente largo para conectar al bloque de terminales montado en la placa posterior.

Pase el cable en la placa posterior y apriete el collarín del cable.

Pele el cable a una longitud adecuada y asegure los cables de cables vivos y neutros en los correspondientes bloques de terminales como se muestra en la Figura 9. Revise que los cables estén en la posición correcta antes de proceder.

Fig. 10

Vuelva a armar la cubierta eléctrica

Fije la cubierta del sistema eléctrico y asegure con los accesorios de fijación suministrados revisando que los cables no queden atrapados.

Fig. 11

Conexión del suministro de agua mixta

Asegúrese de que la fuente de agua esté completamente libre de residuos, virutas de bronce, etc., antes de conectarla a la placa posterior. No hacerlo podría dañar la válvula del solenioide, lo que generará un cierre incorrecto y el goteo de la grifería.

Conecte el suministro de agua mixta independiente a la placa posterior.

Abra la llave de paso del agua.

Revise la entrada principal del suministro de agua y la conexión del tubo de agua a la toma en busca de pérdidas.

También verifique si hay pérdidas en la conexión del solenioide.

Fig. 12

Encienda la alimentación eléctrica

Encienda la máquina.

CICLO DE CALIBRACIÓN: Una vez instalado, de la grifería pasará un segundo ciclo de calibración de 30 segundos.

Coloque una mano debajo del sensor de la toma para activar el flujo de agua. Fig. 12a.

Compruebe si hay fugas según Fig. 11.

Fije la cubierta del tubo de agua a la placa posterior usando los dos accesorios provistos. Fig. 12b.

Fig. 13

Ensamble del cubo del motor

Enganche el motor en la parte superior de la cubierta del sistema eléctrico. Deslícelo hacia abajo hasta que encaje en su lugar, como se muestra en la ilustración. Asegure firmemente Fig. 13a.

OPCIONAL: Se suministra un tornillo para asegurar el botón rojo de liberación y prevenir la remoción indeseada del cubo del motor.

Pruebe la unidad para verificar si funciona correctamente.

Fijación el motor a la placa posterior (opcional).

Para quitar el filtro, utilice un destornillador para desconectar con cuidado la lengüeta del filtro, como se muestra en la ilustración Fig. 13b.

Fije el cubo del motor a la placa posterior mediante el tornillo de seguridad suministrado Fig. 13c.

Vuelva a conectar el filtro asegurándose de que encaje bien en su lugar Fig. 13d.

US

USES

AR

CL

GT

MX

PA

Prueba de la instalación

Pruebe el secador de manos para verificar si funciona correctamente:

- Coloque las manos debajo del centro del grifo. El agua correrá automáticamente mientras las manos permanezcan en ese lugar.
- Coloque las manos a cada lado del centro de la grifería para activar el secador de manos.
- Mueva las manos hacia adelante y atrás lentamente a través del aire. Voltee las manos de manera tal que ambos lados queden expuestos al flujo de aire.

Resolución de problemas

El secador de manos no se enciende:

- Revise que el disyuntor y los fusibles estén funcionando y que la alimentación eléctrica y el suministro de agua estén conectados.
- Asegúrese de quitar la tapa de limpieza y de que los sensores estén limpios y sin obstrucciones.
- Apague y encienda la unidad.

El secador de manos se enciende y apaga por sí solo de manera irregular:

- Apague y encienda la unidad.
- Asegúrese de que no haya ningún tapón en el lavamanos y quítelo si hay un tapón presente.
- Asegúrese de que los sensores estén limpios.
- Revise que el cable del sensor de la grifería esté conectado de forma segura.

El secador de manos a veces se corta durante el uso:

- Apague y encienda la unidad.
- Asegúrese de que los sensores estén limpios.
- Revise que las entradas de aire estén limpias y sin polvo. Si las entradas de aire tienen polvo, simplemente, quítelo.
- Asegúrese de que las entradas de aire no tengan obstrucciones y que tengan espacio suficiente.

El tiempo de secado ha aumentado.

- Revise las entradas de aire y quite la suciedad.
- Revise el filtro y cámbielo de ser necesario.
- Asegúrese de que la manguera esté bien unida a la base de la grifería y que no tenga pérdidas.

El flujo de aire está más caliente de lo usual::

- Revise las entradas de aire y quite la suciedad.
- Revise el filtro y cámbielo de ser necesario.
- Asegúrese de que la manguera esté bien unida a la base de la grifería y que no tenga pérdidas.

Sale aire continuamente:

- Revise que no haya objetos en el lavamanos y quítelos de ser necesario.
- Asegúrese de que los sensores estén limpios y no tengan obstrucciones.
- Revise el filtro y cámbielo de ser necesario.
- Asegúrese de que la manguera esté bien unida a la base de la grifería y que no tenga pérdidas.

No sale aire:

- Apague y encienda la unidad.
- Revise que el disyuntor y los fusibles estén funcionando y que la alimentación eléctrica esté conectada.
- Asegúrese de que los sensores estén limpios.
- Asegúrese de que la manguera de aire esté bien unida a la base de la grifería y que no tenga pérdidas.
- Revise que el cable del sensor de la grifería esté conectado de forma segura.

La grifería expulsa agua continuamente:

- Asegúrese de que los sensores estén limpios y no tengan obstrucciones.

La grifería no expulsa agua:

- Asegúrese de que la alimentación eléctrica y el suministro de agua estén activados y de que la válvula de aislamiento esté abierta.
- Asegúrese de que el aireador no tenga residuos. Si es necesario, quítelo y límpiolo o reemplácelo.

El agua que sale de la grifería está muy fría o muy caliente:

- Revise que la válvula de mezcla esté configurada en la temperatura deseada. Comuníquese con Atención al Cliente de Dyson para obtener mayor asistencia e información, o consulte en línea www.dyson.com

US

USES

AR

CL

GT

MX

PA